



US00D908990S

(12) **United States Design Patent**
Chen

(10) **Patent No.:** **US D908,990 S**

(45) **Date of Patent:** **** Jan. 26, 2021**

(54) **HAND-HELD VACUUM CLEANER**

(71) Applicant: **Suzhou Dibea Electrical Technology Co., Ltd.,** Jiangsu (CN)

(72) Inventor: **Haiyong Chen,** Mingguang (CN)

(73) Assignee: **SUZHOU DIBEA ELECTRICAL TECHNOLOGY CO., LTD.,** Jiangsu (CN)

(**) Term: **15 Years**

(21) Appl. No.: **29/657,465**

(22) Filed: **Jul. 23, 2018**

(30) **Foreign Application Priority Data**

Mar. 7, 2018 (CN) 2018 3 0085199

(51) **LOC (13) CL.** **15-05**

(52) **U.S. CL.**
USPC **D32/22**

(58) **Field of Classification Search**

USPC D32/17-18, 21-22, 31, 34, 69-70, 72

CPC B08B 3/026; B08B 3/028; A46B 11/001;

A46B 11/002; B60S 1/64; D01H 11/006

See application file for complete search history.

(56) **References Cited**

U.S. PATENT DOCUMENTS

D668,010 S * 9/2012 Stickney D32/18

D668,823 S * 10/2012 Stickney D32/18

D738,584 S * 9/2015 Niedzwecki D32/22

9,451,853	B2 *	9/2016	Conrad	A47L 9/0027
D774,260	S *	12/2016	Manning	D32/22
D792,040	S *	7/2017	Meyer	D32/22
D798,009	S *	9/2017	Salagnac	D32/22
D799,767	S *	10/2017	Palladino	D32/22
D800,980	S *	10/2017	Carter	D32/21
D824,616	S *	7/2018	Ward	D32/22
D838,067	S *	1/2019	Irfan	B04C 5/185
					D32/22
D851,846	S *	6/2019	Gammack	D32/6
D861,268	S *	9/2019	Meyer	D32/22
D862,011	S *	10/2019	Kim	D32/22
D871,695	S *	12/2019	Niedzwecki	D32/22
D887,657	S *	6/2020	Palladino	D32/22
2017/0340180	A1 *	11/2017	Isley	A46B 13/00

* cited by examiner

Primary Examiner — Michael A. Pratt

(74) *Attorney, Agent, or Firm* — Muncy, Geissler, Olds & Lowe, P.C.

(57) **CLAIM**

The ornamental design for an hand-held vacuum cleaner, as shown and described.

DESCRIPTION

FIG. 1 is a Perspective view of a hand-held vacuum cleaner showing my new design;

FIG. 2 is a Front elevational view thereof;

FIG. 3 is a Rear elevational view thereof;

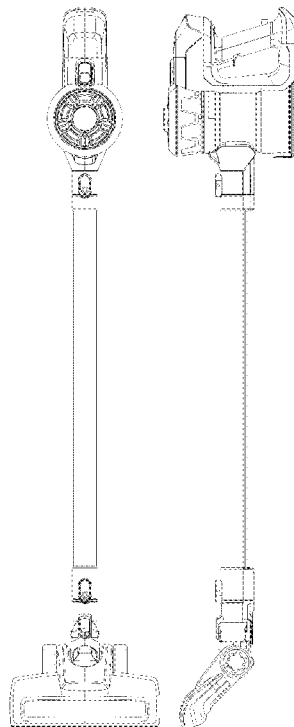
FIG. 4 is a Right side view thereof;

FIG. 5 is a Left side view thereof;

FIG. 6 is a Top plan view thereof; and,

FIG. 7 is a Bottom plan view thereof.

1 Claim, 7 Drawing Sheets



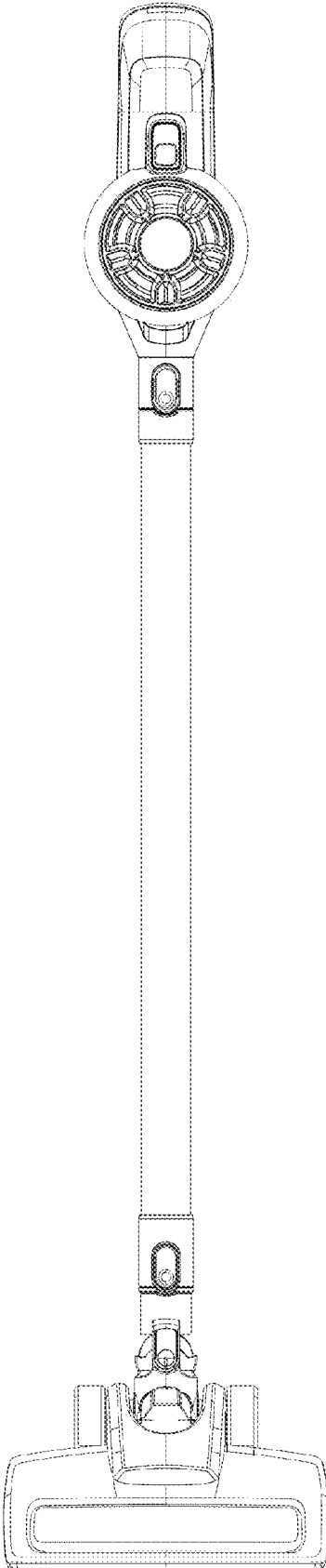


FIG. 1

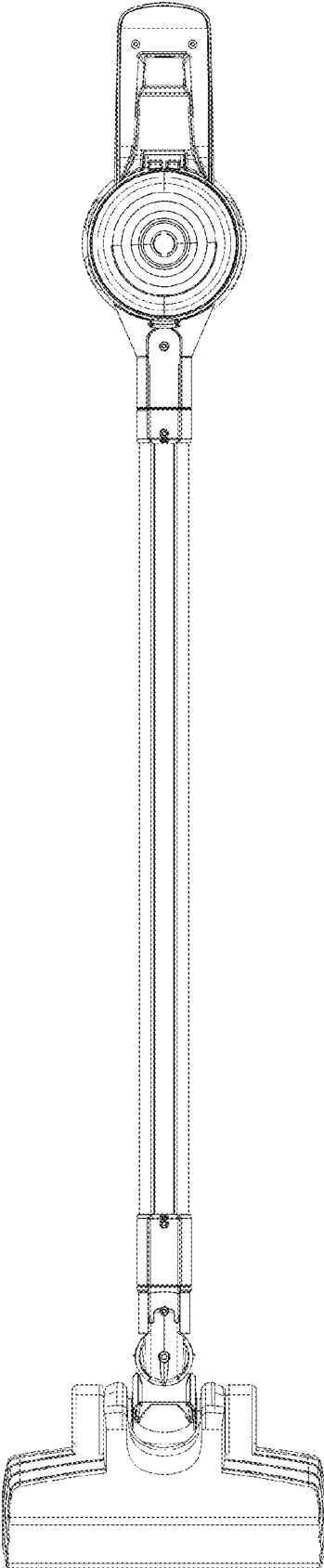


FIG. 2

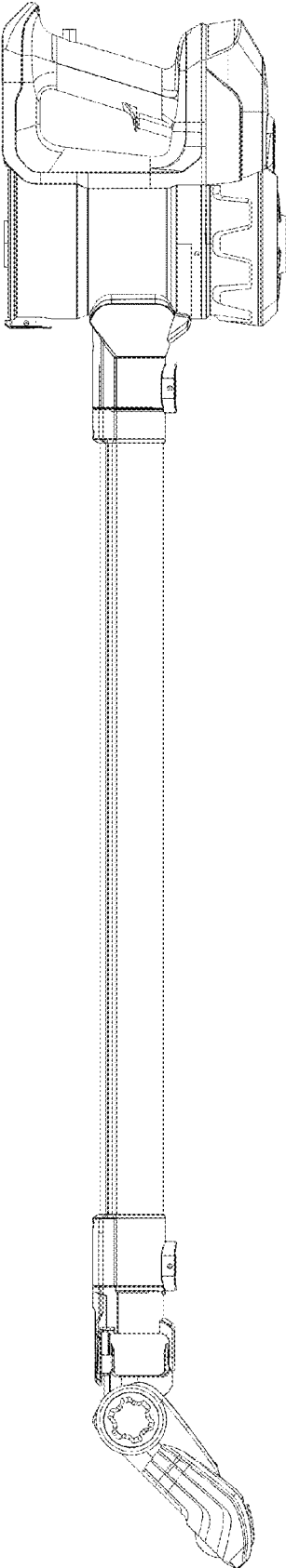


FIG. 3

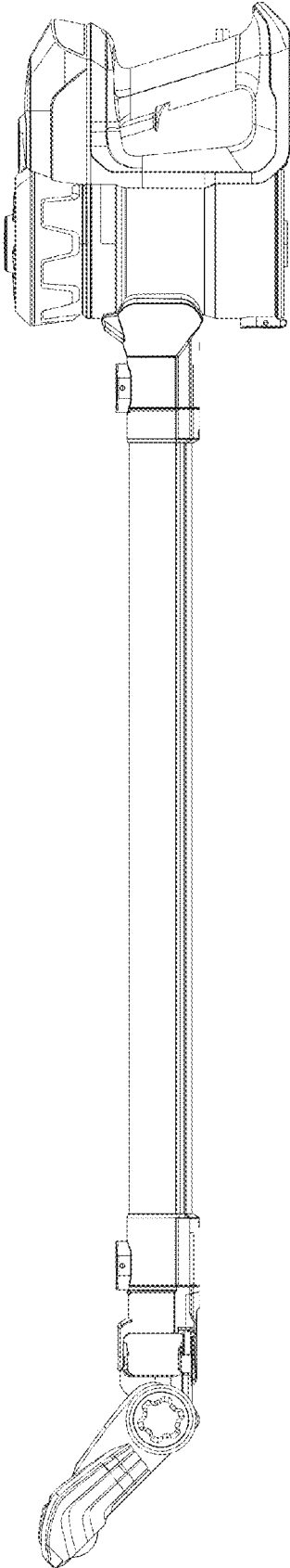


FIG. 4

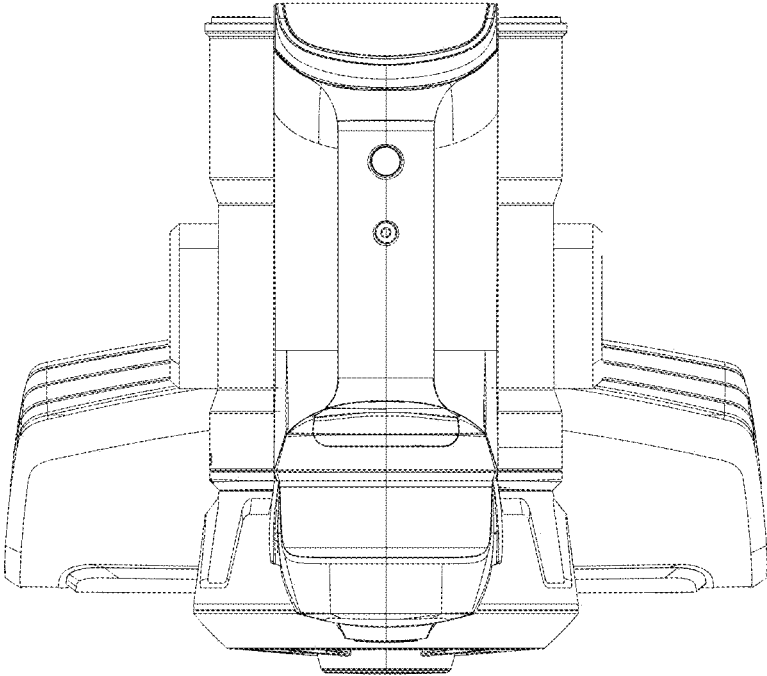


FIG. 5

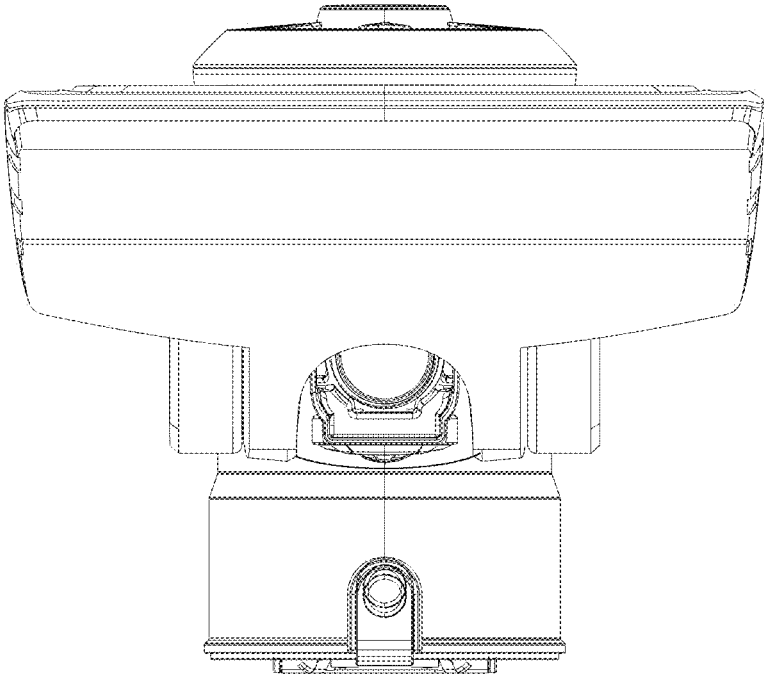


FIG. 6

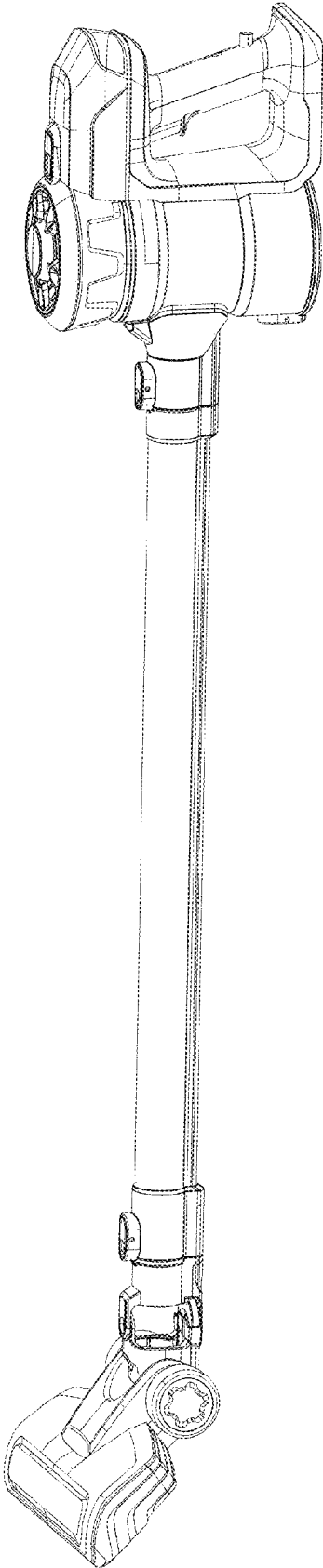


FIG. 7