



US00D854864S

(12) **United States Design Patent**  
**Lim et al.**

(10) **Patent No.:** **US D854,864 S**

(45) **Date of Patent:** **\*\* Jul. 30, 2019**

(54) **BENCH**

(71) Applicant: **Seville Classics Inc.**, Torrance, CA (US)

(72) Inventors: **Gary Lim**, Palos Verdes Peninsula, CA (US); **James Sokol**, Brea, CA (US)

(73) Assignee: **Seville Classics Inc.**, Torrance, CA (US)

(\*\*) Term: **15 Years**

(21) Appl. No.: **29/647,896**

(22) Filed: **May 16, 2018**

(51) **LOC (11) Cl.** ..... **06-03**

(52) **U.S. Cl.**  
USPC ..... **D6/684**; D6/349; D6/691.9

(58) **Field of Classification Search**  
USPC ..... D6/334-338, 340-343, 349-353, 355, D6/364-365, 684, 691-691.9, 692-692.6; D25/65

CPC ..... A47B 7/00-02; A47C 11/00; A47C 13/00; A47C 16/00; A47C 16/02-04; A47C 9/00-105; A47C 17/02; A47C 17/028

See application file for complete search history.

(56) **References Cited**

**U.S. PATENT DOCUMENTS**

D243,810 S *	3/1977	Introini .....	D6/691.8
D243,983 S *	4/1977	Carter .....	D6/691.8
D278,294 S *	4/1985	Dau .....	D6/691.9
D278,774 S *	5/1985	De Fuccio .....	D6/691.8
D295,001 S *	4/1988	Ferdinand .....	D6/336
D346,709 S *	5/1994	Nagao .....	D6/684

D357,374 S *	4/1995	Rabe .....	D6/691
D394,761 S *	6/1998	Bird .....	D6/656
D479,063 S *	9/2003	Juneau .....	D6/691
D746,614 S *	1/2016	Sheppard .....	D6/657
D756,693 S *	5/2016	Shah .....	D6/684
2010/0018442 A1 *	1/2010	Knudsen .....	A47B 3/08 108/176

**OTHER PUBLICATIONS**

Seville Classics UltraHD Wood Bench with Storage Shelf Sam's Club. [online] Retrieved Mar. 7, 2019 from URL: [https://www.samsclub.com/sams/wood-bench-storage-shelf/prod22250170.ip?pid=\\_CSE\\_CSSGoogleFix\\_Connex\\_11\\_980108414&source=ifpla&CAWELAID=730010300001984233.\\*](https://www.samsclub.com/sams/wood-bench-storage-shelf/prod22250170.ip?pid=_CSE_CSSGoogleFix_Connex_11_980108414&source=ifpla&CAWELAID=730010300001984233.*)

\* cited by examiner

*Primary Examiner* — Vy N Koenig  
(74) *Attorney, Agent, or Firm* — Raymond Sun

(57) **CLAIM**

The ornamental design for a bench, as shown and described.

**DESCRIPTION**

FIG. 1 is a front perspective view of a bench showing one embodiment of our new design.

FIG. 2 is a front view thereof, the rear view being symmetrical thereto.

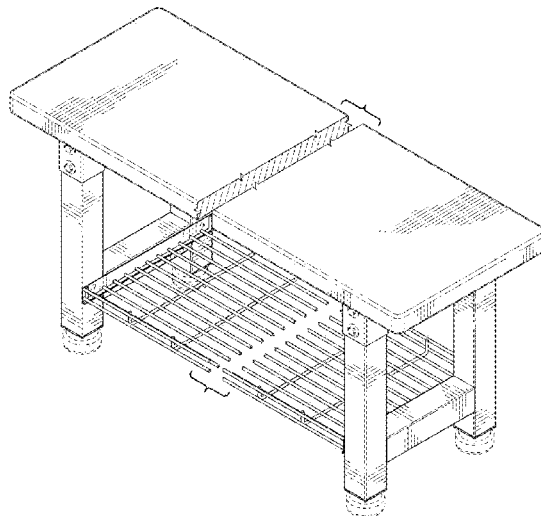
FIG. 3 is a left view thereof, the right view being symmetrical thereto; and,

FIG. 4 is a top view thereof.

The broken lines shown in the figures represent portions of the bench that form no part of the claimed design.

The symbolic break lines in the drawings convey that the appearance of any portion of the bench between the symbolic break lines form no part of the claimed design.

**1 Claim, 4 Drawing Sheets**



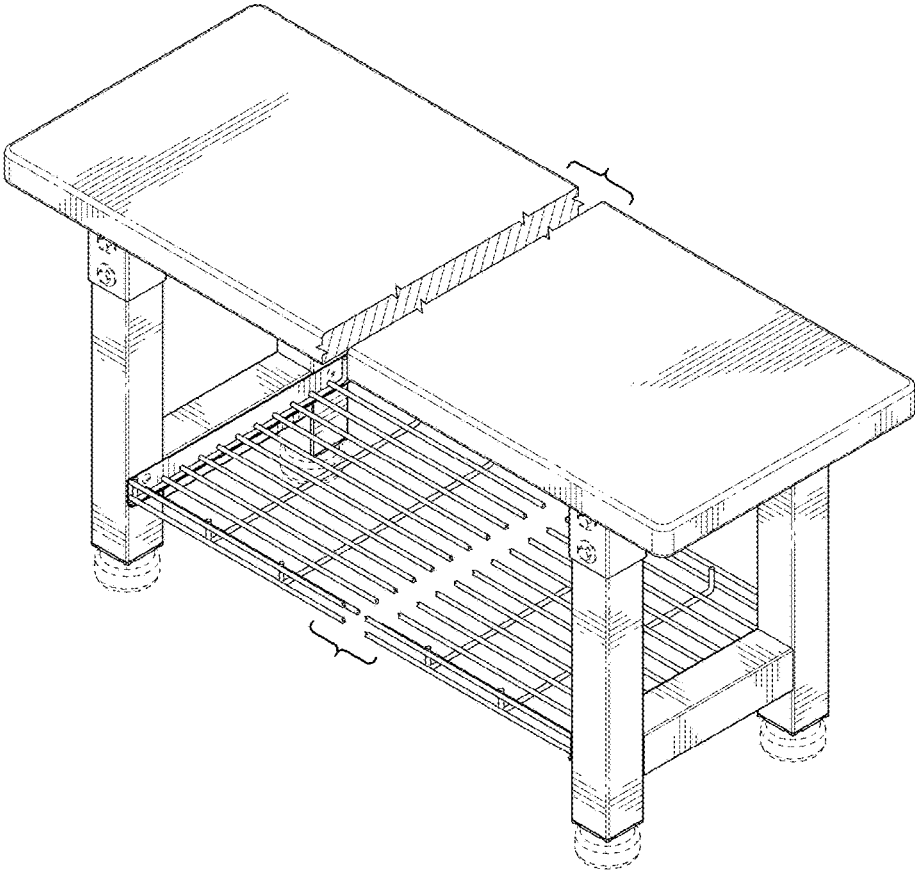


FIG. 1

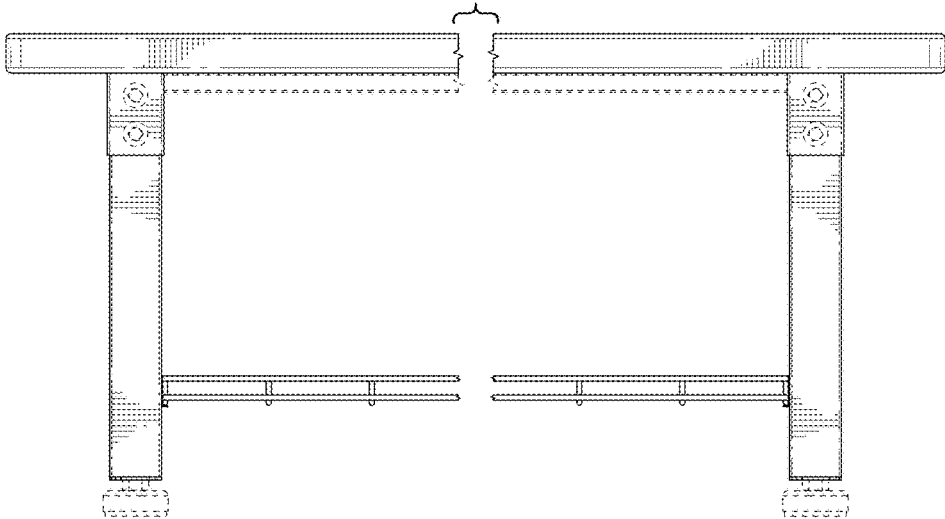


FIG. 2

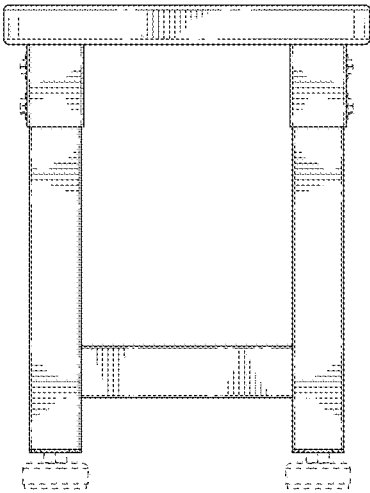


FIG. 3

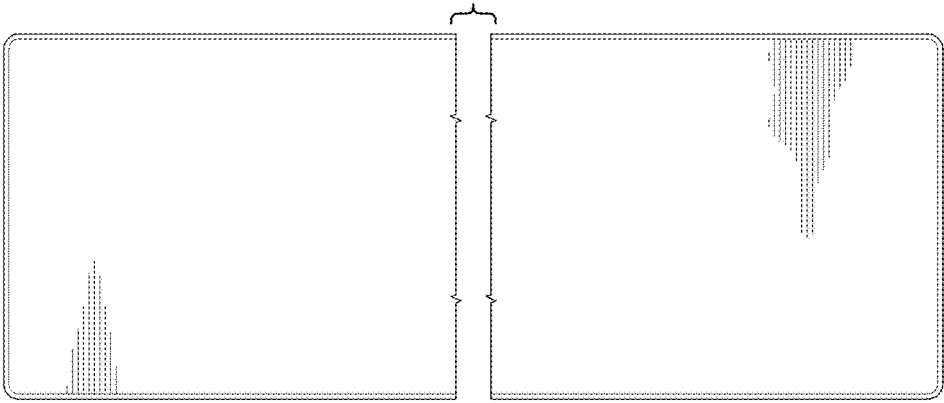


FIG.4