



US00D814424S

(12) **United States Design Patent**  
**DeCosta**

(10) **Patent No.:** **US D814,424 S**  
(45) **Date of Patent:** **\*\* Apr. 3, 2018**

(54) **DUPLEX RECEPTACLE HOUSING**

(71) Applicant: **Thomas DeCosta**, Westport, MA (US)

(72) Inventor: **Thomas DeCosta**, Westport, MA (US)

(\*\*) Term: **15 Years**

(21) Appl. No.: **29/620,382**

(22) Filed: **Nov. 10, 2016**

(51) **LOC (11) Cl.** ..... **13-03**

(52) **U.S. Cl.**  
USPC ..... **D13/152**

(58) **Field of Classification Search**  
USPC ..... D13/108-110, 133, 137.1-137.4,  
D13/138.1-138.2, 139.1-139.8, 152-154,  
D13/156, 173, 177, 151, 146, 147;  
D14/433, 435.1, 432; D8/350-353, 331  
CPC .... H01R 25/00; H01R 25/006; H01R 25/003;  
H01R 9/00; H01R 11/00; H01R 3/00;  
H02J 2007/0062; H05K 5/02; H05K 5/00;  
H05K 5/0008; H05K 5/0073; H05K  
5/0204

See application file for complete search history.

(56) **References Cited**

**U.S. PATENT DOCUMENTS**

D269,429 S *	6/1983	Doyle	.....	D13/152
D430,539 S *	9/2000	Leopold	.....	D13/139.3
D529,787 S *	10/2006	Swiencicki	.....	D8/350
D531,128 S *	10/2006	Elberson	.....	D13/152
D601,096 S *	9/2009	Vigorito	.....	D13/152
D627,305 S *	11/2010	Gretz	.....	D13/155
8,067,703 B1 *	11/2011	Gretz	.....	H02G 3/12 174/53
D678,840 S *	3/2013	DeCosta	.....	D13/137.1

D701,842 S *	4/2014	DeCosta	.....	D13/177
D719,096 S *	12/2014	DeCosta	.....	D13/137.2
D736,715 S *	8/2015	Gretz	.....	D13/152
D744,952 S *	12/2015	Ni	.....	D13/139.3
D745,850 S *	12/2015	Gretz	.....	D13/152
D754,074 S *	4/2016	DeCosta	.....	D13/139.3
D763,196 S *	8/2016	DeCosta	.....	D13/152
D783,386 S *	4/2017	Collins, IV	.....	D8/354
9,705,232 B2 *	7/2017	DeCosta	.....	H01R 13/502
2005/0230139 A1 *	10/2005	Ungerma	.....	H02G 3/086 174/58

\* cited by examiner

*Primary Examiner* — Rosemary K Tarcza

*Assistant Examiner* — Christy Nemeth

(57) **CLAIM**

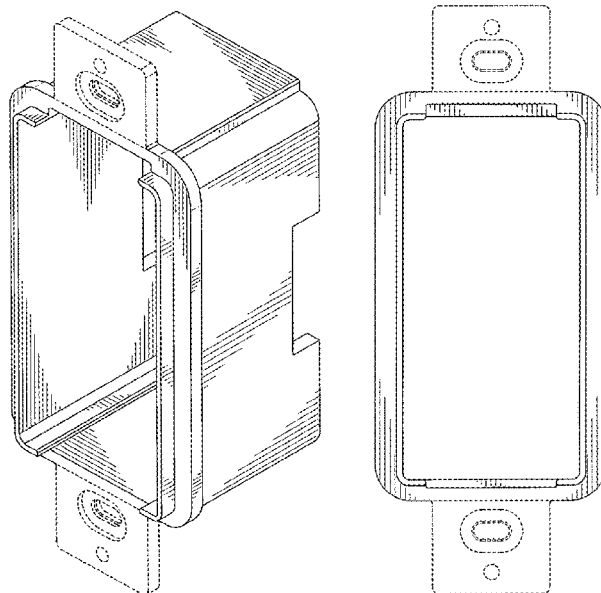
The ornamental design for a duplex receptacle housing, as shown and described.

**DESCRIPTION**

FIG. 1 is a front perspective view of a duplex receptacle housing, employing my new design; FIG. 2 is a front view of FIG. 1; FIG. 3 is a rear view of FIG. 1; FIG. 4 is a right side view of FIG. 1; FIG. 5 is a left side view of FIG. 1; FIG. 6 is a top end view of FIG. 1; FIG. 7 is a bottom end view of FIG. 1; FIG. 8 is a front perspective view of a duplex receptacle housing in the environment of a receptacle; and, FIG. 9 is a front view of FIG. 8.

The broken lines in the drawings are for the purpose of illustrating environmental subject matter and portions of the duplex receptacle housing that form no part of the claimed design.

**1 Claim, 8 Drawing Sheets**



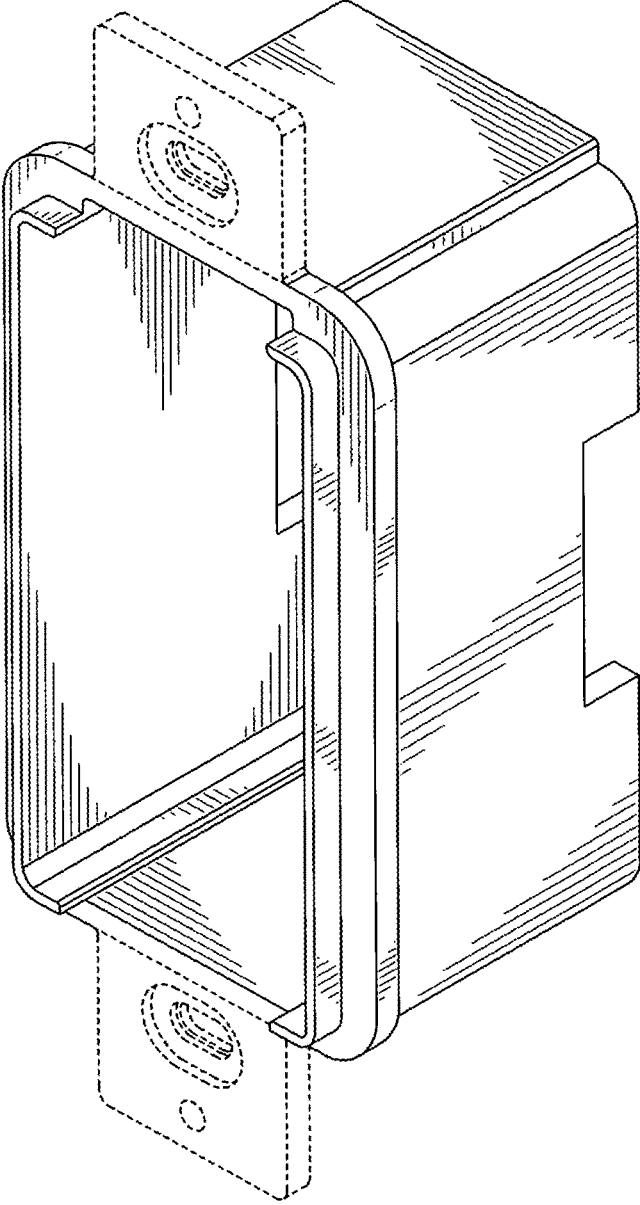


FIG. 1

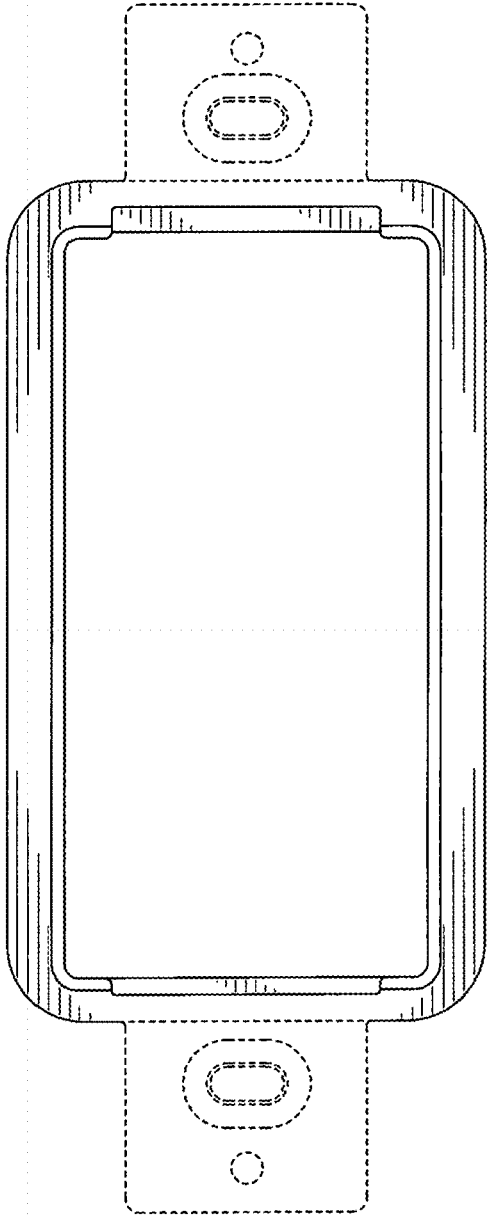


FIG. 2

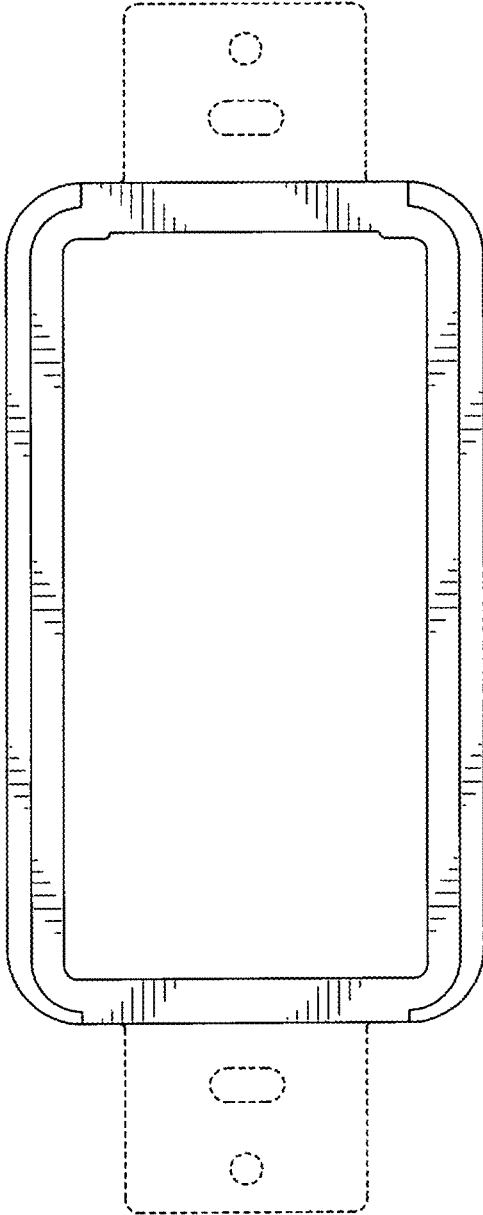


FIG. 3

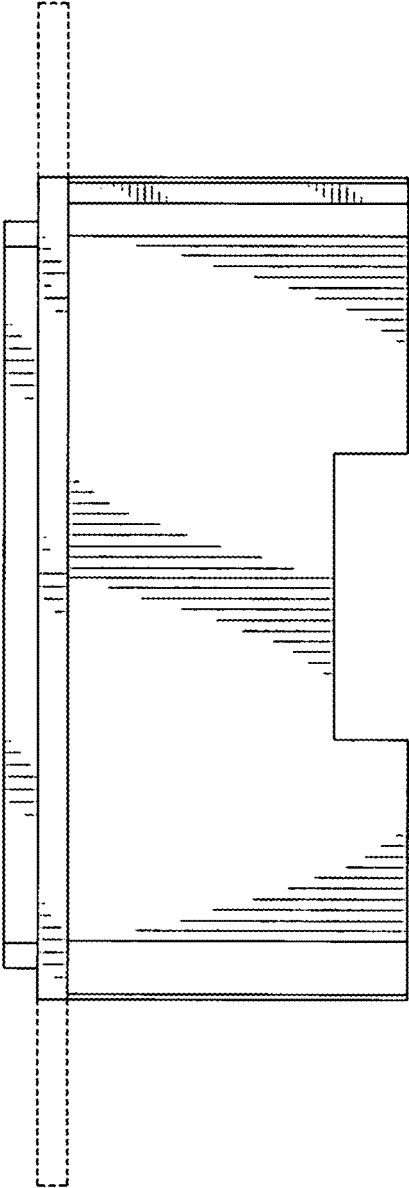


FIG. 4

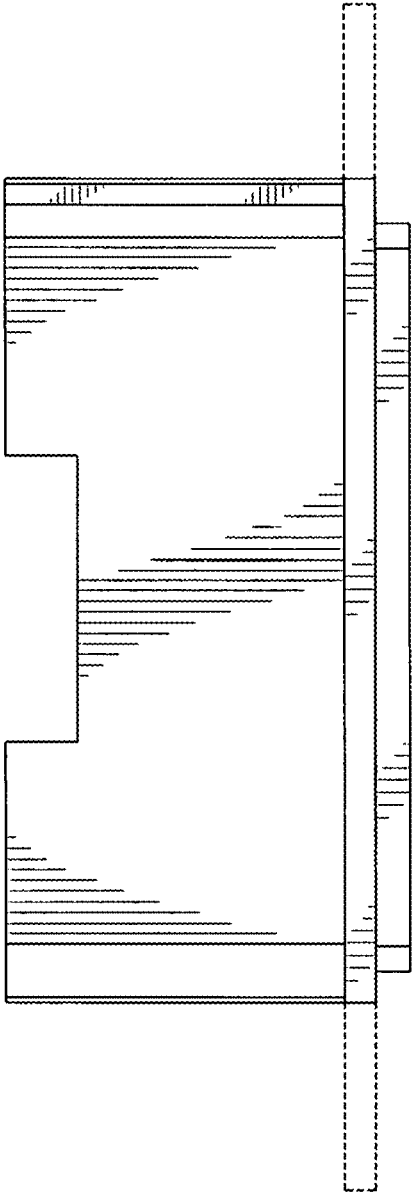


FIG. 5

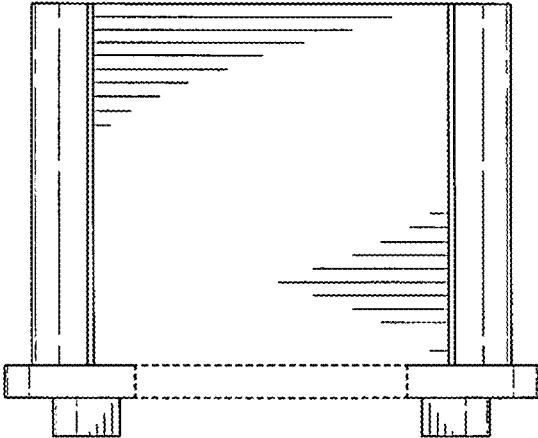


FIG. 6

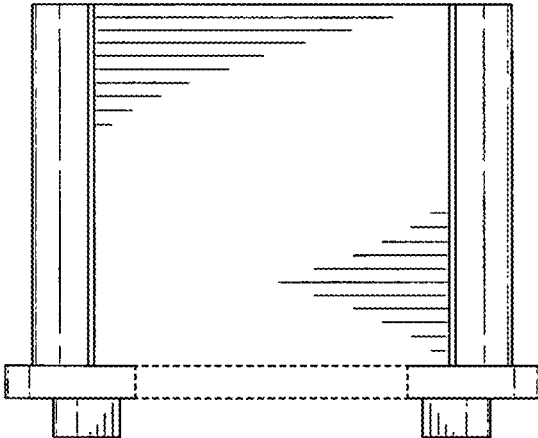


FIG. 7

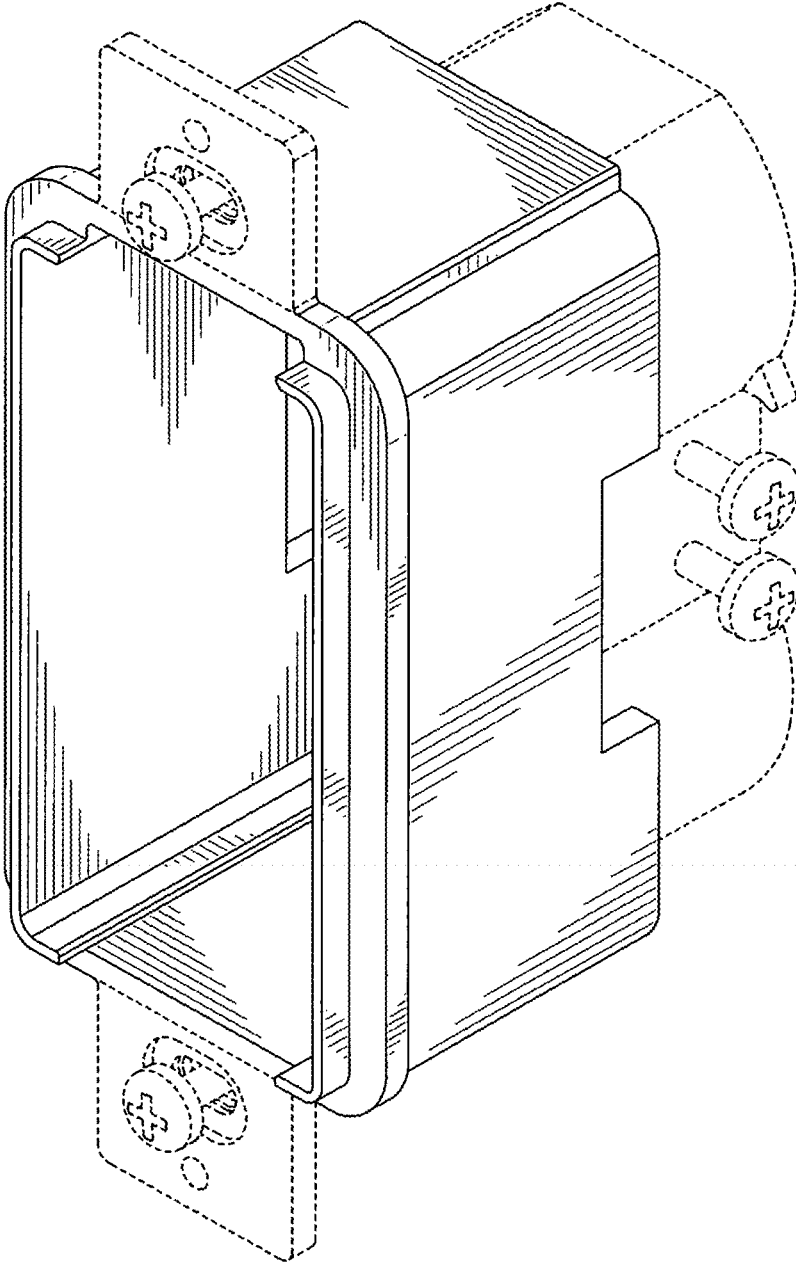


FIG. 8



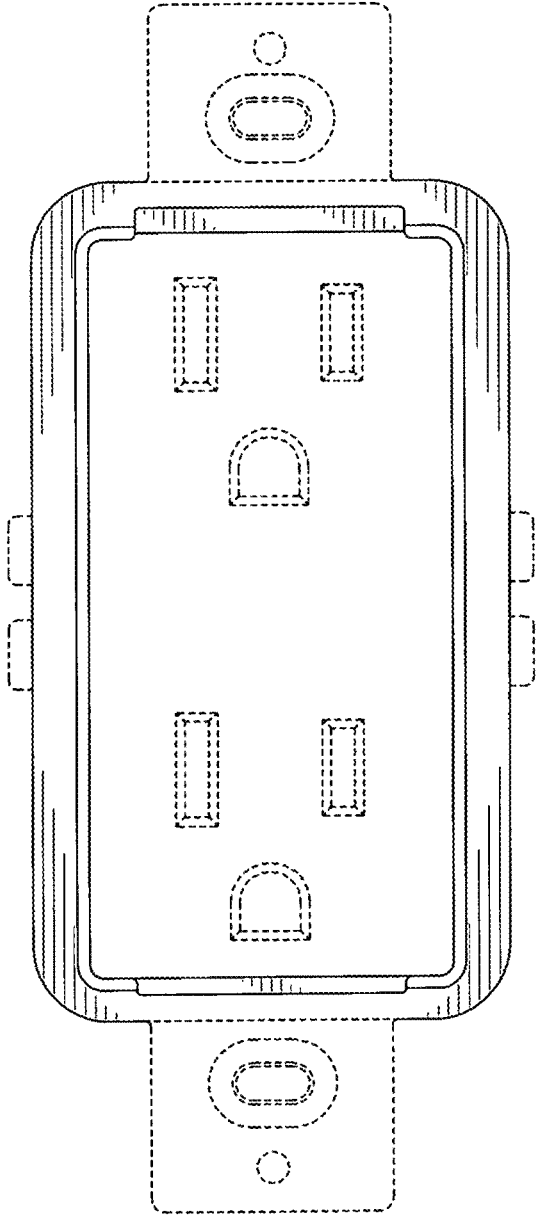


FIG. 9