



US00D735989S

(12) **United States Design Patent**  
**Crabtree**

(10) **Patent No.:** **US D735,989 S**

(45) **Date of Patent:** **\*\* Aug. 11, 2015**

(54) **WALLET**

(71) Applicant: **Crabby Gear, LLC**, Ogden, UT (US)

(72) Inventor: **Ryan Crabtree**, Ogden, UT (US)

(73) Assignee: **Crabby Gear, LLC**, Ogden, UT (US)

(\*\*) Term: **14 Years**

(21) Appl. No.: **29/496,424**

(22) Filed: **Jul. 11, 2014**

**Related U.S. Application Data**

(63) Continuation-in-part of application No. 29/457,185, filed on Jun. 7, 2013, now Pat. No. Des. 714,050.

(51) **LOC (10) Cl.** ..... **03-01**

(52) **U.S. Cl.**

USPC ..... **D3/247**

(58) **Field of Classification Search**

USPC ..... D3/247, 249–253

CPC ..... A45C 1/08; A45C 3/08; A45C 11/18;  
A45C 11/182

See application file for complete search history.

(56)

**References Cited**

**U.S. PATENT DOCUMENTS**

1,761,809	A *	6/1930	Ancla	.....	24/17 R
D384,499	S *	10/1997	Gaestel	.....	D3/247
5,944,080	A	8/1999	Podwika		
D417,397	S *	12/1999	Forecast et al.	.....	D9/453
D509,955	S	9/2005	Williams		
D527,898	S *	9/2006	Tavone	.....	D3/247
D575,569	S	8/2008	Martinetti		
D585,643	S	2/2009	Preston-Hall		
7,604,028	B2 *	10/2009	Bridgefarmer	.....	150/147
7,609,512	B2 *	10/2009	Richardson et al.	.....	361/679.41
7,971,324	B2	7/2011	Preston-Hall		
D645,663	S *	9/2011	Henley et al.	.....	D3/294

D647,303	S *	10/2011	Mish et al.	.....	D3/294
D668,874	S *	10/2012	Robinson et al.	.....	D3/293
8,381,360	B2	2/2013	Preston-Hall		
D690,931	S	10/2013	Minn et al.		
D696,015	S *	12/2013	Daniel	.....	D3/249
2005/0205435	A1	9/2005	Loy		
2006/0243364	A1	11/2006	Bridgefarmer		
2010/0065171	A1 *	3/2010	Uzelac	.....	150/149
2011/0048594	A1	3/2011	Arnone		
2013/0045775	A1 *	2/2013	Heywood	.....	455/557

**OTHER PUBLICATIONS**

Plagiats ! (wallet with logo Remi). Blog [online] Posted [May 7, 2013]. Meloncollie, 2014 [retrieved on Apr. 30, 2014]. Retrieved from the Internet: <URL: www.meloncollie.fr/?p=2766>.

(Continued)

*Primary Examiner* — Holly Baynham

(74) *Attorney, Agent, or Firm* — Patent Law Works LLP

(57)

**CLAIM**

The ornamental design for a wallet, as shown and described.

**DESCRIPTION**

FIG. 1 is a top and front perspective view of the wallet showing my new design;

FIG. 2 is bottom and rear perspective view thereof;

FIG. 3 is a front elevational view thereof;

FIG. 4 is a rear elevational view thereof;

FIG. 5 is a top plan view thereof;

FIG. 6 is a bottom plan view thereof;

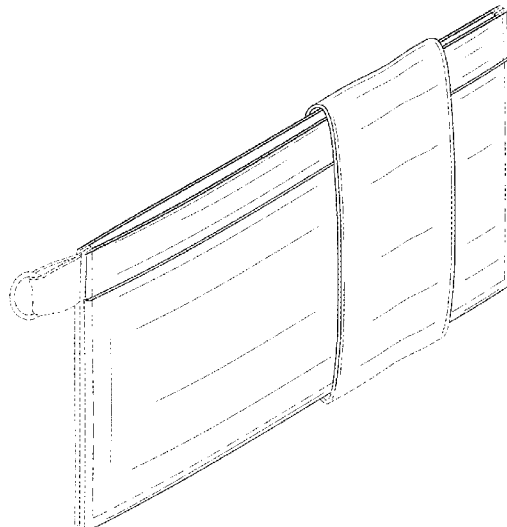
FIG. 7 is a left side elevational view thereof;

FIG. 8 is a right side elevational view thereof; and,

FIG. 9 is a front perspective view of the wallet in use.

The smaller broken lines showing a tab and the bottom surface of the wallet are for the purposes of illustrating environment. The wider spaced broken lines represent stitching and are part of the claimed design.

**1 Claim, 4 Drawing Sheets**



(56)

**References Cited**

OTHER PUBLICATIONS

The Crabby Wallet: A wallet that is not for everyone . . . , Blog [online]. Posted [Mar. 27, 2013]. Kickstarter, 2014 [retrieved on Apr.

30, 2014]. Retrieved from the Internet: <URL: <https://www.kickstarter.com/projects/1369622196/the-crabby-wallet-a-wallet-that-is-not-for-everyon>>.

\* cited by examiner

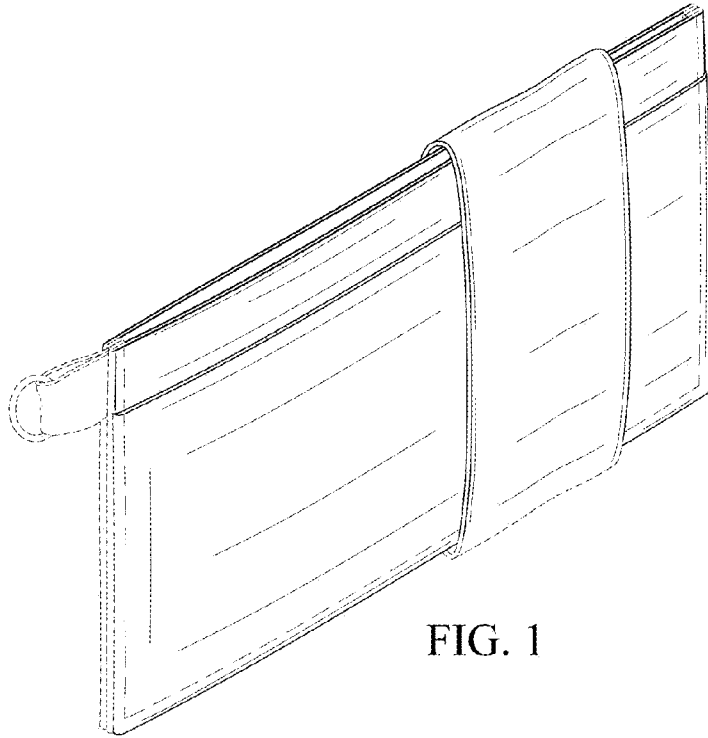


FIG. 1

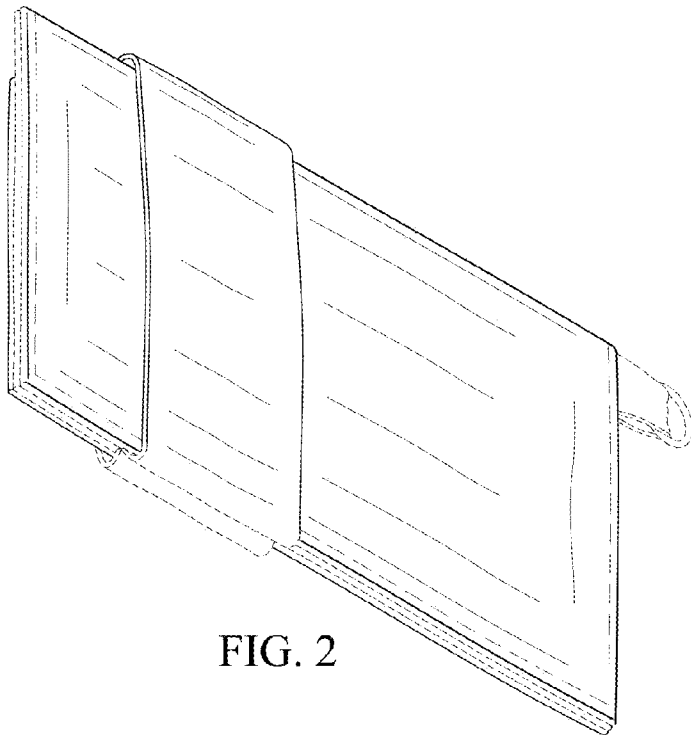


FIG. 2

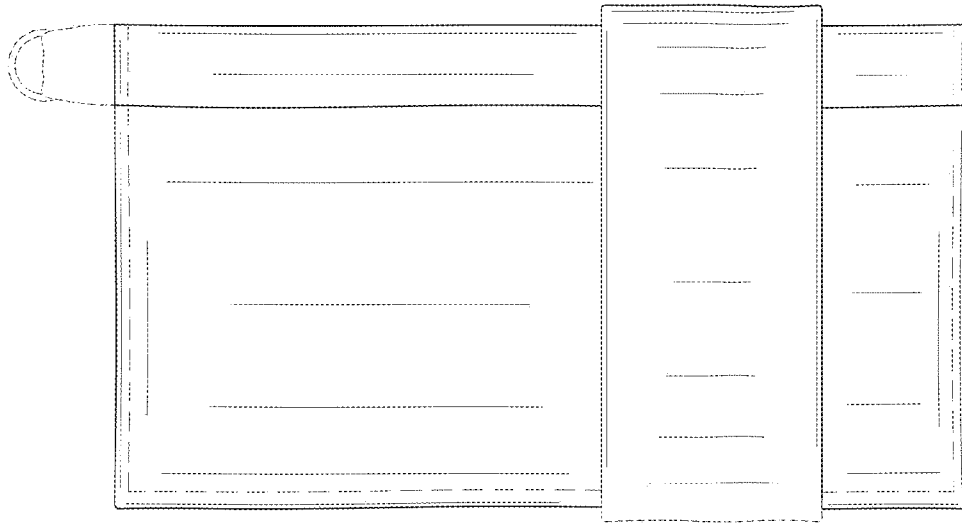


FIG. 3

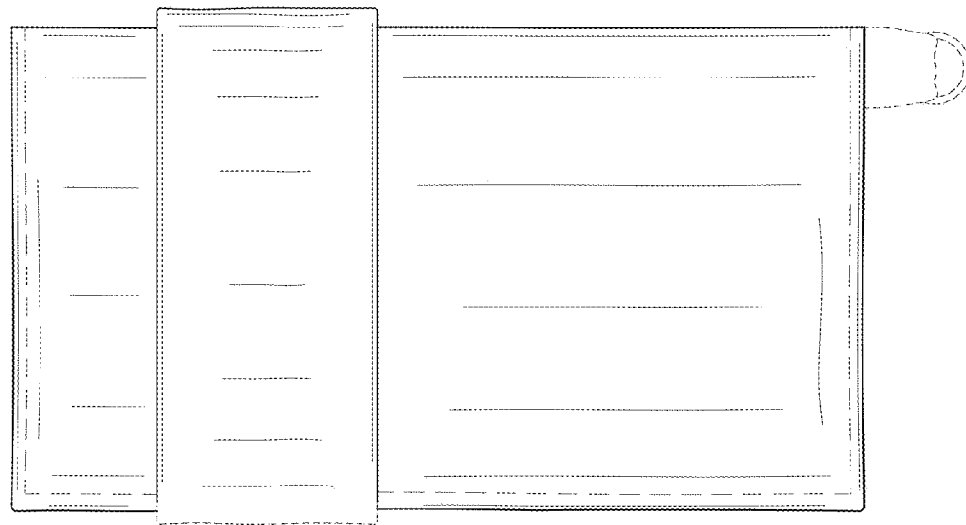


FIG. 4

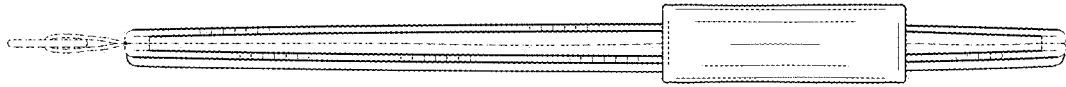


FIG. 5

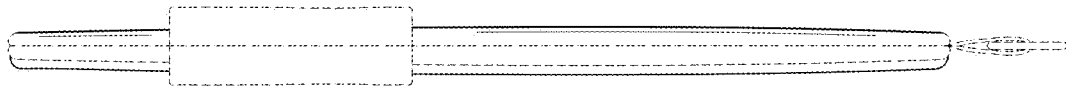


FIG. 6



FIG. 7

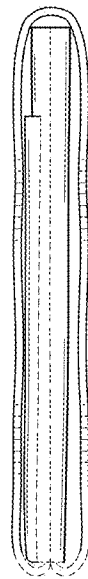


FIG. 8

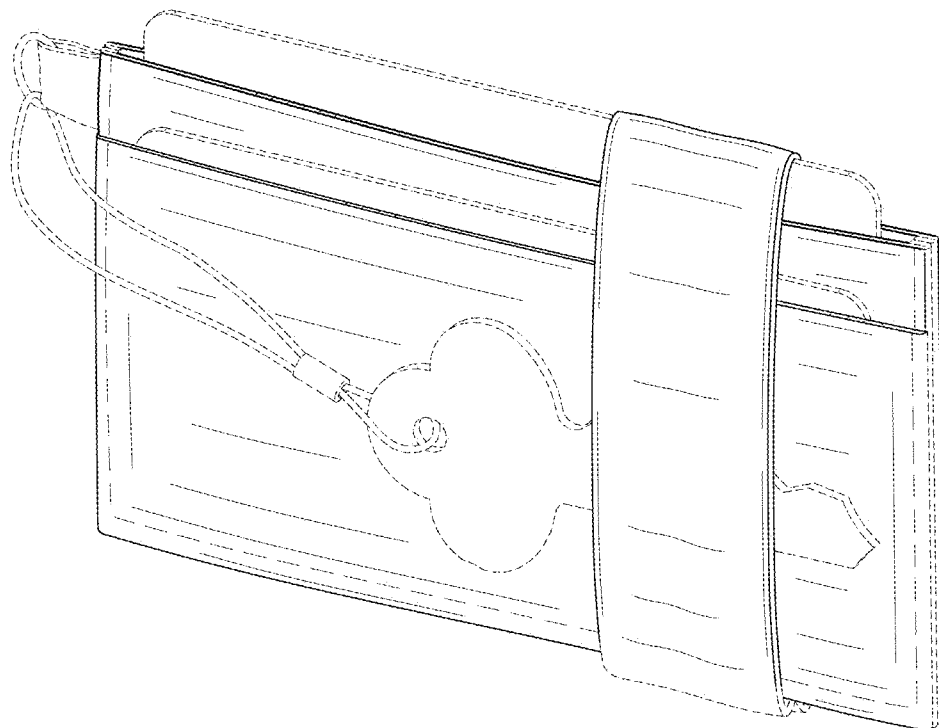


FIG. 9