



US00D580585S

(12) **United States Design Patent**  
**Otero**

(10) **Patent No.:** **US D580,585 S**

(45) **Date of Patent:** **\*\* Nov. 11, 2008**

(54) **LIGHTING FIXTURE**

(75) Inventor: **Federico Otero**, Lima (PE)

(73) Assignee: **Boyd Lighting Fixture Company**, San Francisco, CA (US)

(\*\*) Term: **14 Years**

(21) Appl. No.: **29/295,116**

(22) Filed: **Sep. 21, 2007**

(51) **LOC (8) Cl.** ..... **26-03**

(52) **U.S. Cl.** ..... **D26/88**

(58) **Field of Classification Search** ..... D26/72,  
D26/75-78, 85-89, 122; 362/147, 404, 407,  
362/351, 360, 347, 350

See application file for complete search history.

(56) **References Cited**

**U.S. PATENT DOCUMENTS**

D129,135 S *	8/1941	Vacha .....	D26/121
2,299,256 A *	10/1942	Schultz .....	D26/121
D142,960 S *	11/1945	Lee .....	D26/121
D167,816 S *	9/1952	Steeber .....	D26/85
2,906,864 A *	9/1959	Boutelle .....	362/354
D233,468 S *	10/1974	Shemitz .....	D26/75
D352,798 S *	11/1994	Her .....	D26/82
D411,634 S *	6/1999	Connelly .....	D26/24
D459,525 S *	6/2002	Barry .....	D26/88
D558,386 S *	12/2007	Bickler et al. ....	D26/89
D566,878 S *	4/2008	Duffy et al. ....	D26/85

**OTHER PUBLICATIONS**

Catacaos Room Divider, designer Federico OTERO, 4-pages, 2005.

\* cited by examiner

*Primary Examiner*—Clare E Hefflin

(74) *Attorney, Agent, or Firm*—Heslin Rothenberg Farley & Mesiti P.C.

(57) **CLAIM**

The ornamental design for a lighting fixture, as shown and described.

**DESCRIPTION**

FIG. 1 is a perspective view of a first embodiment of a lighting fixture comprising the new design;

FIG. 2 is a front elevational view thereof;

FIG. 3 is a right side elevational view thereof, a left side elevational view being a mirror image thereof;

FIG. 4 is bottom view thereof;

FIG. 5 is a perspective view of a second embodiment of a lighting fixture comprising the new design having a translucent side portion and a translucent layer above the circles;

FIG. 6 is a front elevational view thereof;

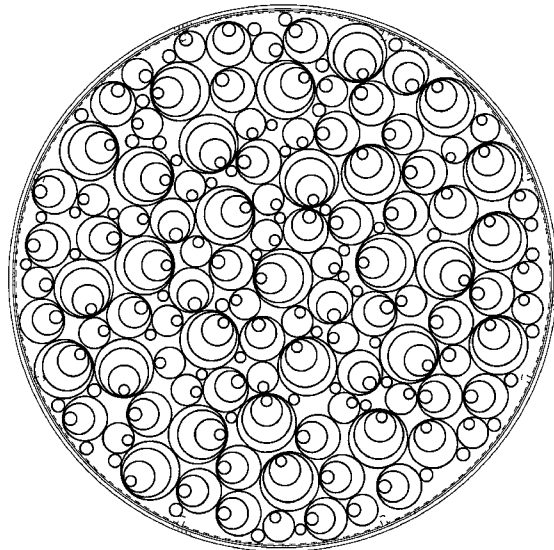
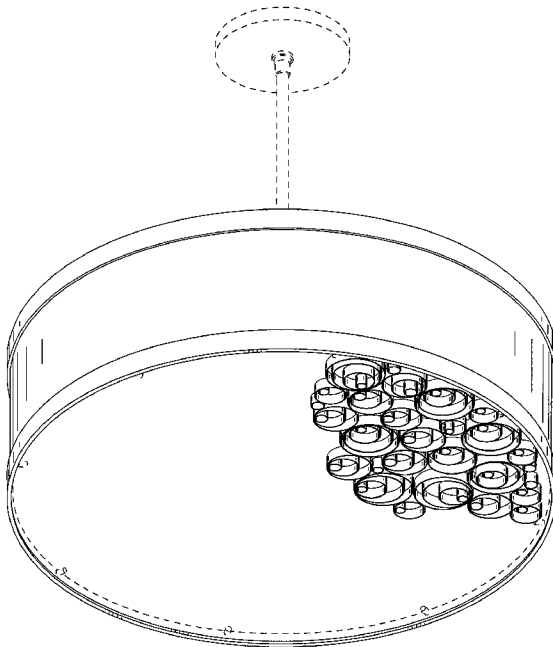
FIG. 7 is a right side elevational view thereof, a left side elevational view being a mirror image thereof; and,

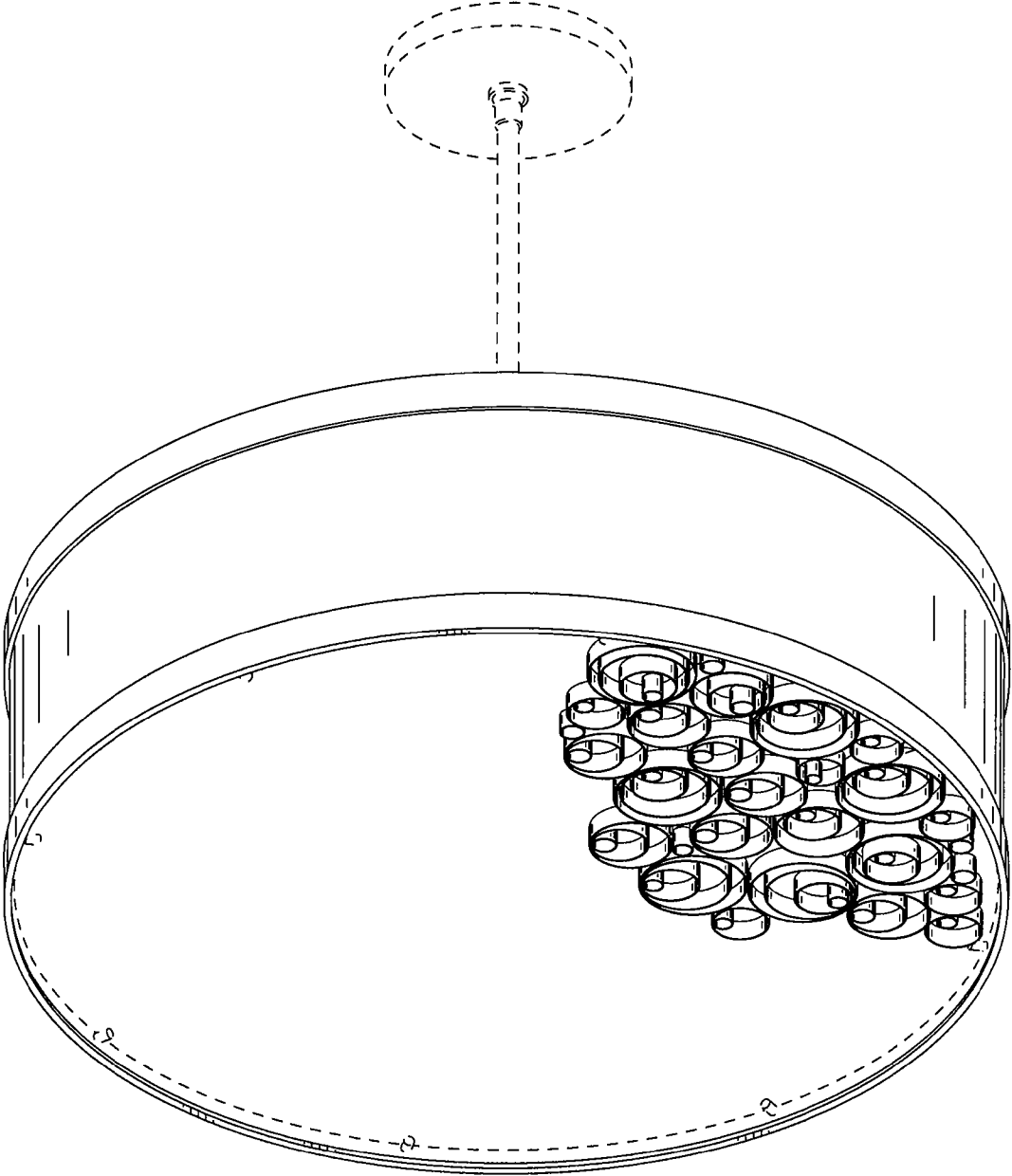
FIG. 8 is bottom view thereof.

The showing of circles in FIG. 1 extends along the bottom as shown in FIG. 4, and the showing of circles in FIG. 5 extends along the bottom as shown in FIG. 8.

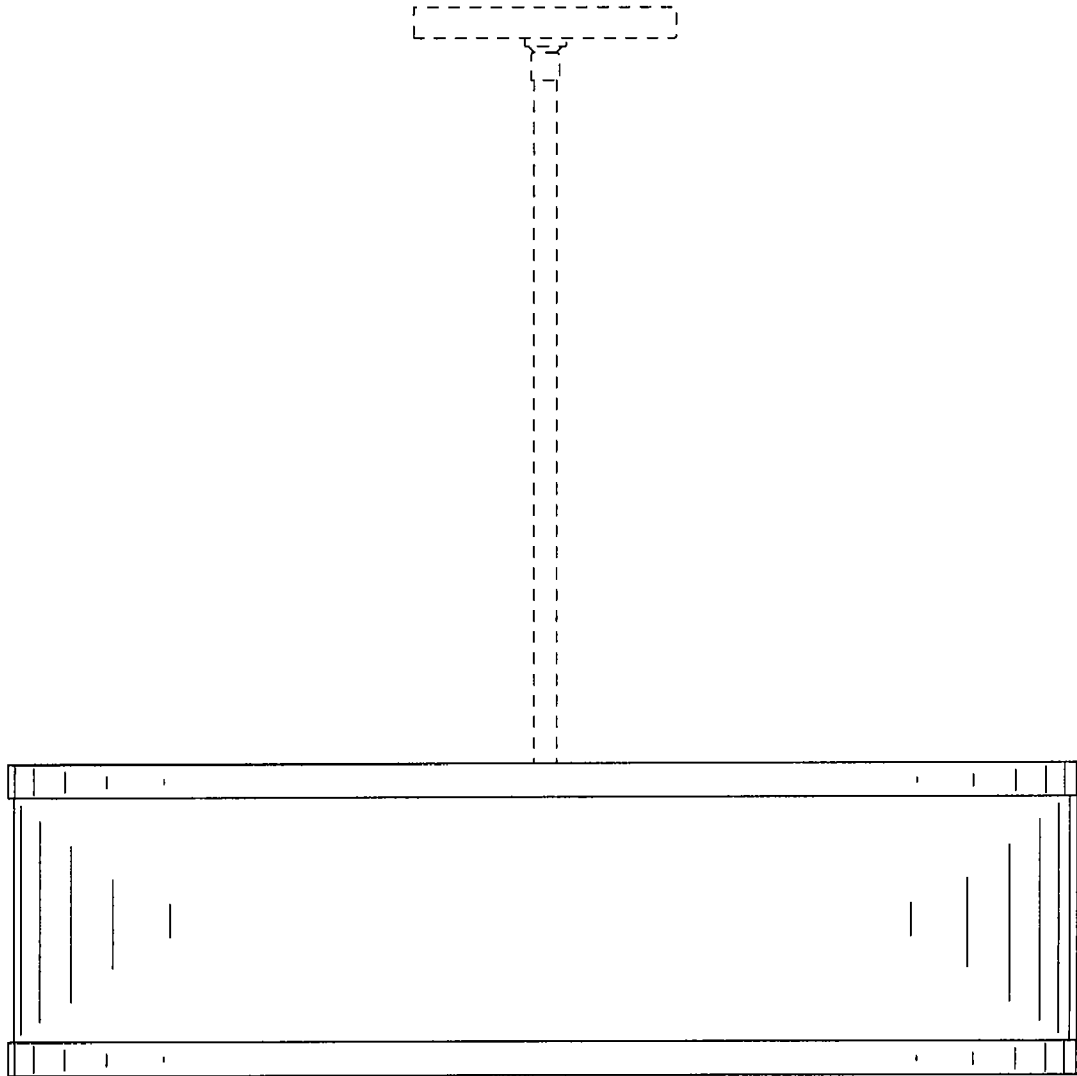
The broken lines in the figures are for illustration purposes only and form no part of the claimed invention.

**1 Claim, 8 Drawing Sheets**

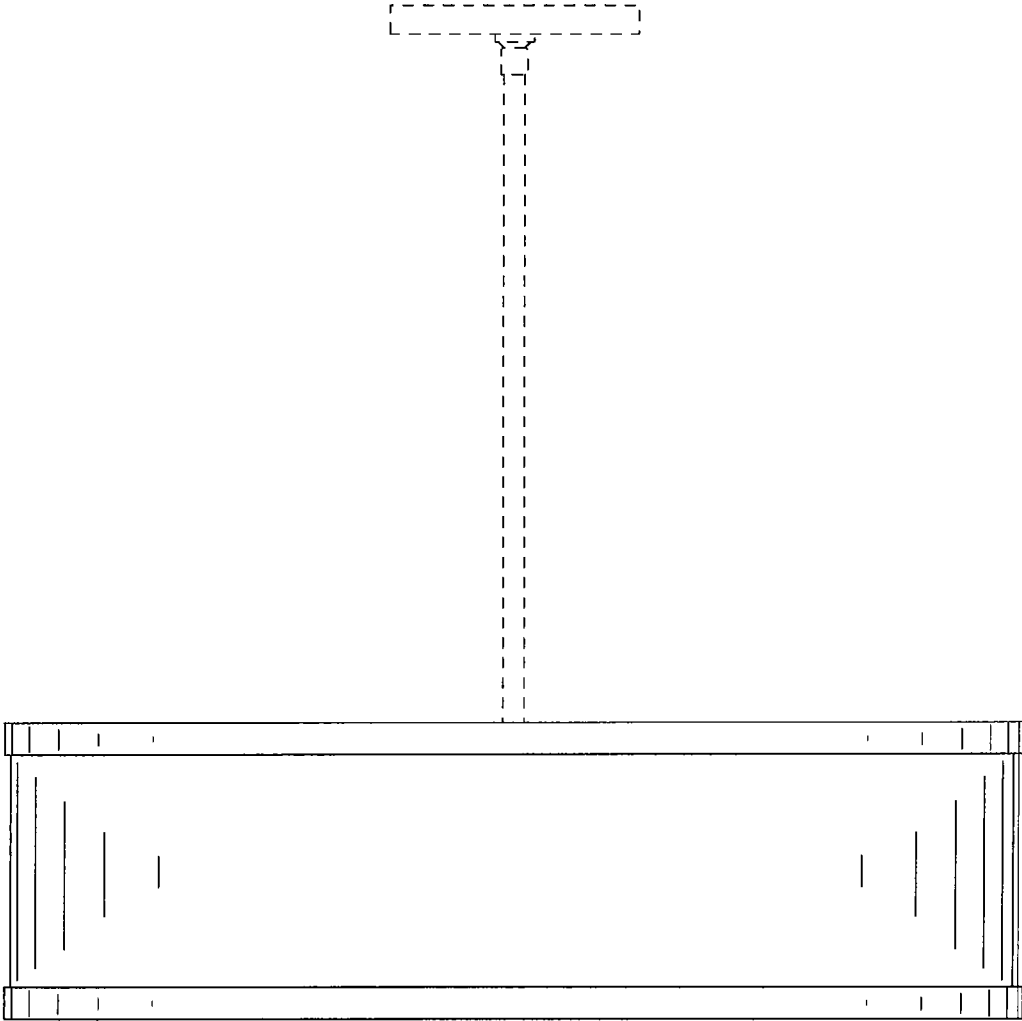




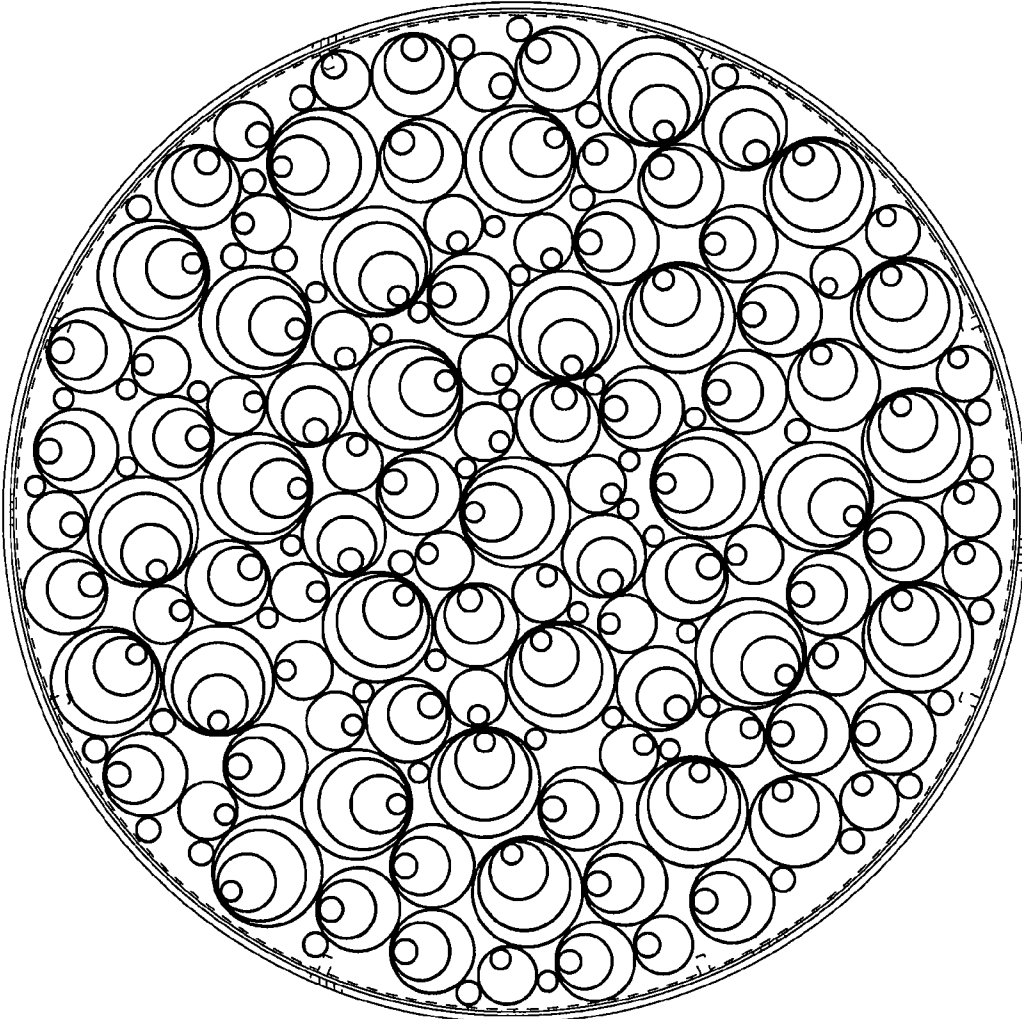
**FIG. 1**



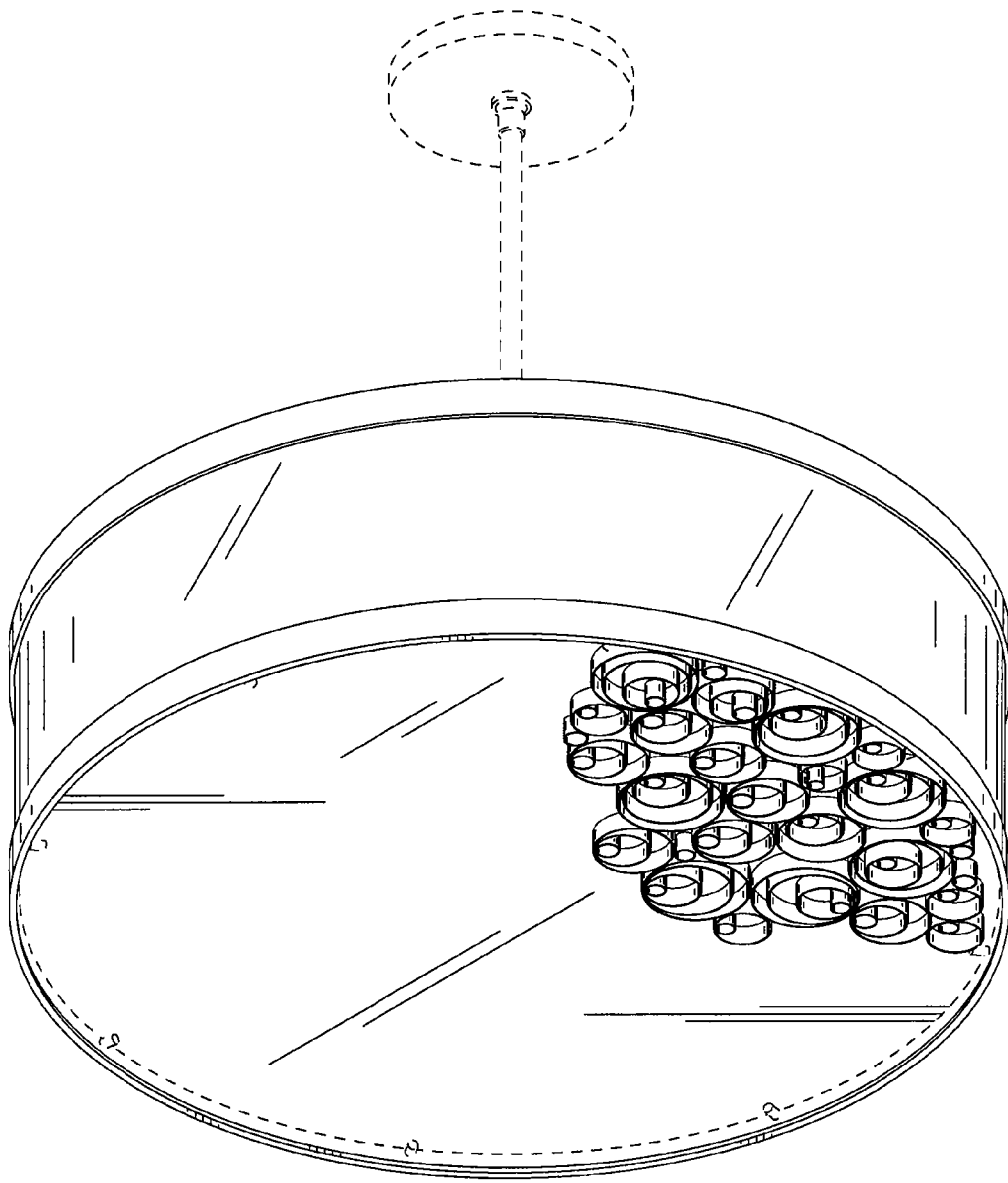
**FIG. 2**



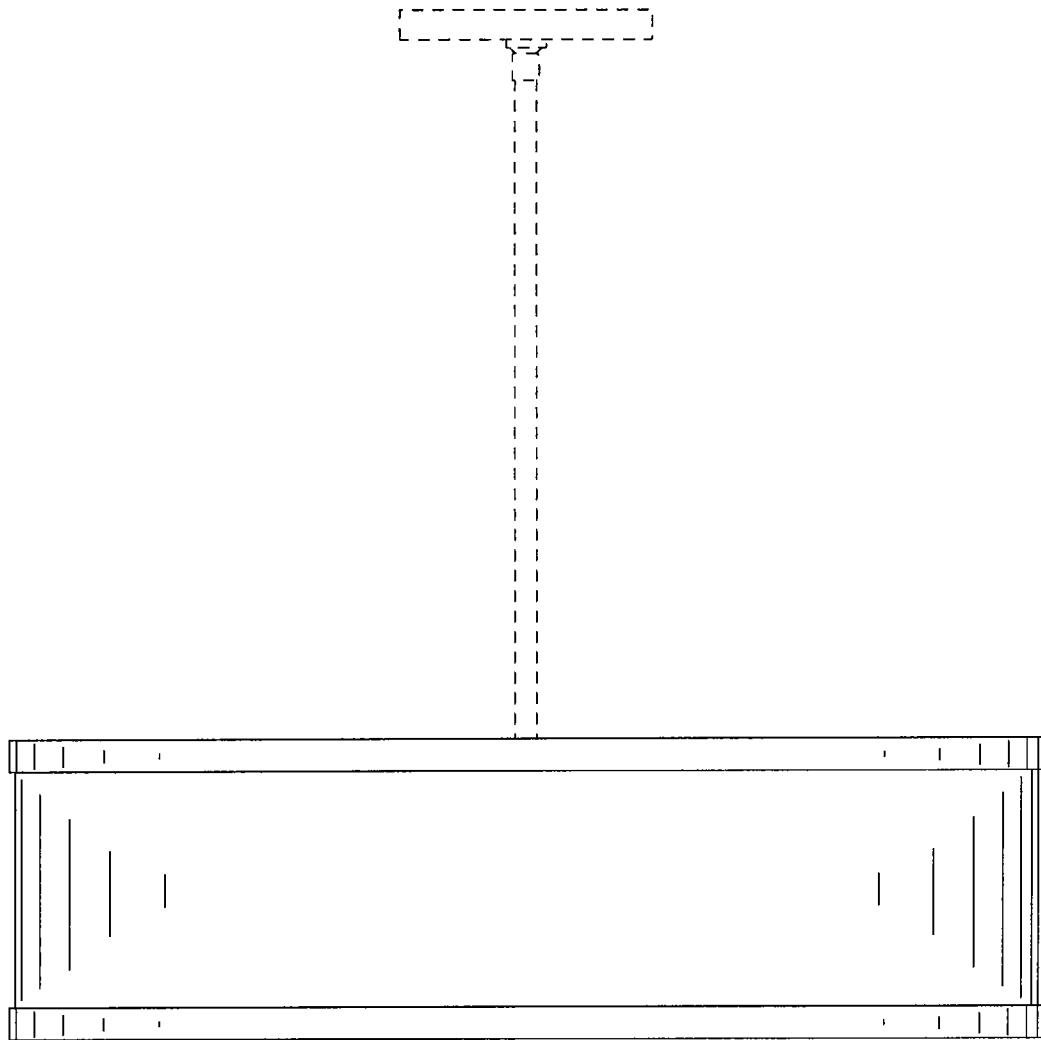
**FIG. 3**



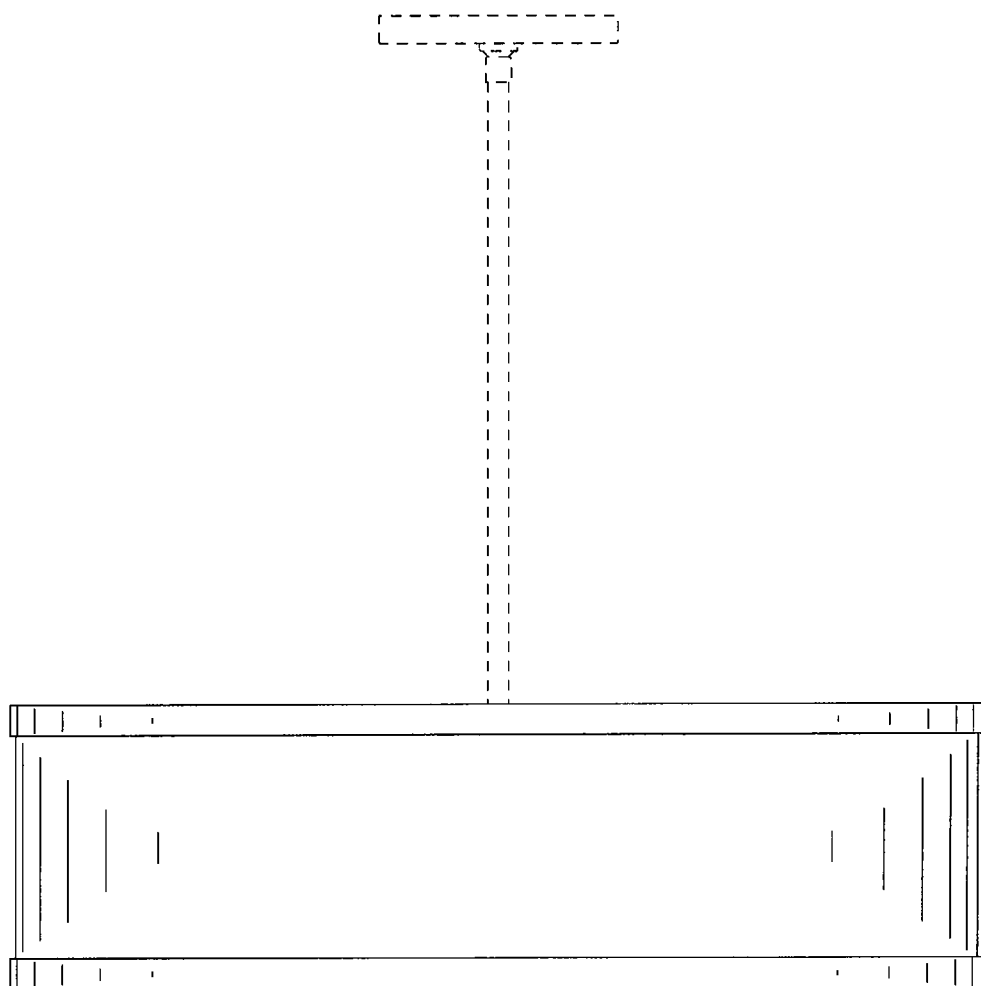
**FIG. 4**



**FIG. 5**

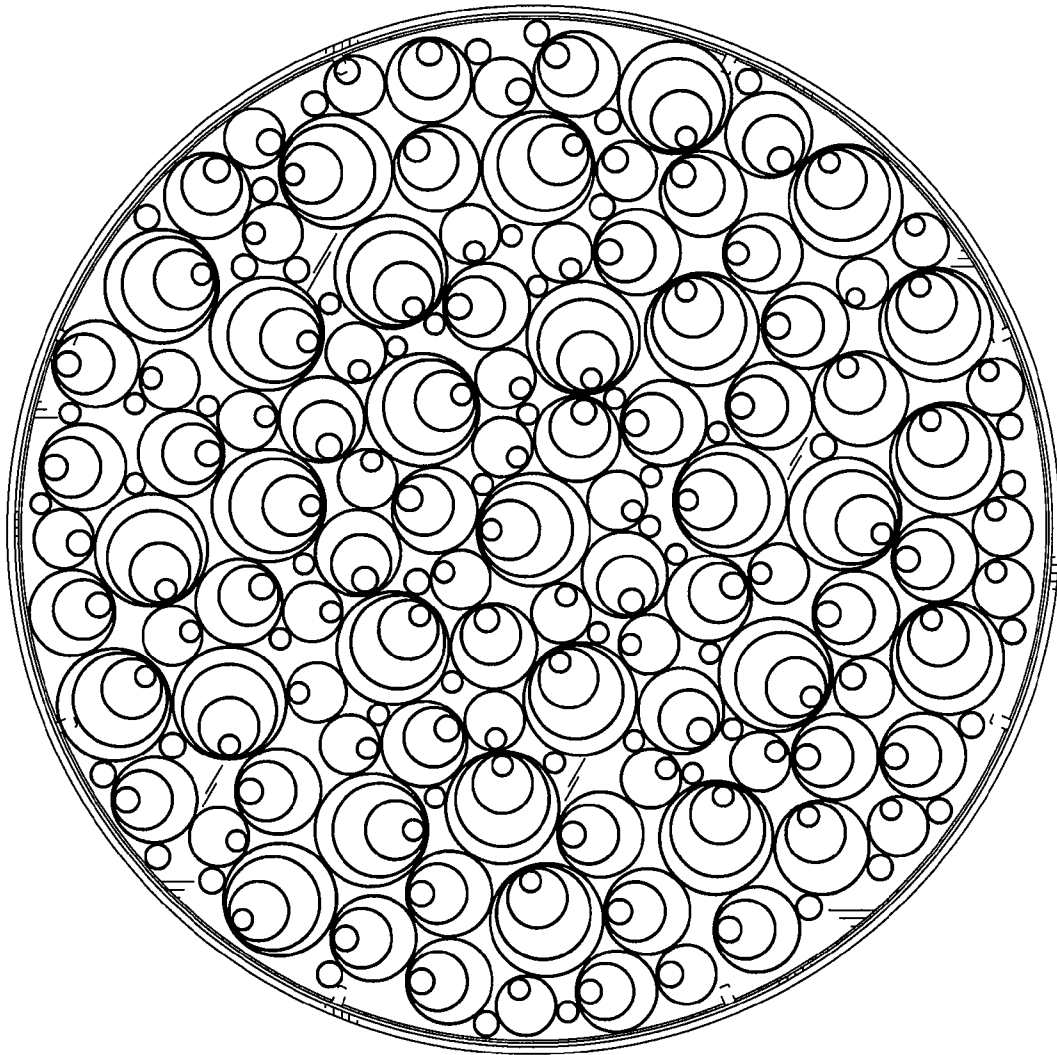


**FIG. 6**



**FIG. 7**





***FIG. 8***