



- (51) International Patent Classification:
E04G 5/00 (2006.01)
- (21) International Application Number:
PCT/TR2013/000004
- (22) International Filing Date:
16 January 2013 (16.01.2013)
- (25) Filing Language: English
- (26) Publication Language: English
- (30) Priority Data:
2012/01326 6 February 2012 (06.02.2012) TR
- (72) Inventor; and
(71) Applicant : FENERCI, Abdurrahman Murat [TR/TR];
Yesilova Mh. Kucuk Camlica Sk. No:43, Osmangazi,
16250 Bursa (TR).
- (74) Agent: DESTEK PATENT, INC.; Konak Mah. Lefkose
Cad. NM Ofis Park B, Blok No: 36 / 5 Besevler Nilufer,
16110 Bursa (TR).
- (81) Designated States (unless otherwise indicated, for every
kind of national protection available): AE, AG, AL, AM,
AO, AT, AU, AZ, BA, BB, BG, BH, BN, BR, BW, BY,
BZ, CA, CH, CL, CN, CO, CR, CU, CZ, DE, DK, DM,
DO, DZ, EC, EE, EG, ES, FI, GB, GD, GE, GH, GM, GT,

HN, HR, HU, ID, IL, IN, IS, JP, KE, KG, KM, KN, KP,
KR, KZ, LA, LC, LK, LR, LS, LT, LU, LY, MA, MD,
ME, MG, MK, MN, MW, MX, MY, MZ, NA, NG, NI,
NO, NZ, OM, PA, PE, PG, PH, PL, PT, QA, RO, RS, RU,
RW, SC, SD, SE, SG, SK, SL, SM, ST, SV, SY, TH, TJ,
TM, TN, TR, TT, TZ, UA, UG, US, UZ, VC, VN, ZA,
ZM, ZW.

(84) Designated States (unless otherwise indicated, for every
kind of regional protection available): ARIPO (BW, GH,
GM, KE, LR, LS, MW, MZ, NA, RW, SD, SL, SZ, TZ,
UG, ZM, ZW), Eurasian (AM, AZ, BY, KG, KZ, RU, TJ,
TM), European (AL, AT, BE, BG, CH, CY, CZ, DE, DK,
EE, ES, FI, FR, GB, GR, HR, HU, IE, IS, IT, LT, LU, LV,
MC, MK, MT, NL, NO, PL, PT, RO, RS, SE, SI, SK, SM,
TR), OAPI (BF, BJ, CF, CG, CI, CM, GA, GN, GQ, GW,
ML, MR, NE, SN, TD, TG).

Published:

- with international search report (Art. 21(3))
- before the expiration of the time limit for amending the
claims and to be republished in the event of receipt of
amendments (Rule 48.2(h))

(88) Date of publication of the international search report:
3 October 2013

(54) Title: A SCAFFOLD WITH AN AUTOMATIC INSTALLATION CHARACTERISTIC

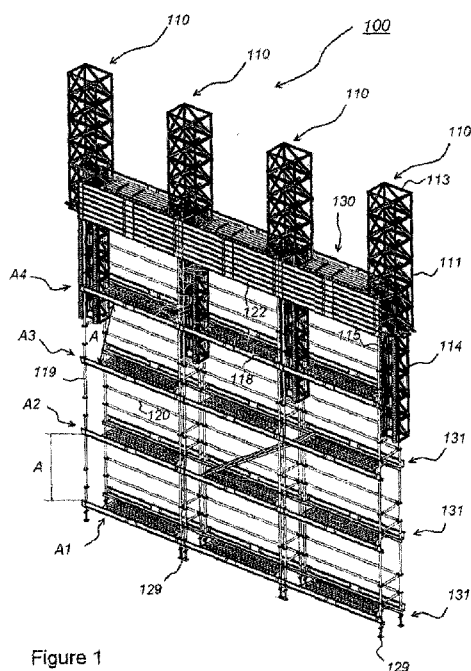


Figure 1

(57) Abstract: The present invention relates to an automatic scaffold (100) providing to reach the high building in the processes like construction, repair, dyeing, coating and maintenance; characterized in comprising a scaffold module (130) comprising multiple superimpose layers (131), moving columns (110) providing it to be opened by means of a drive unit (116) so as to generate a working distance (A) between the said module layers (131), vertical and horizontal profiles (119, 120) located between each module layers (131) within the said working distance (A), and guide elements (125) located on the carrier plates (118) and providing the vertical carrier profiles (119) to be fixed.



INTERNATIONAL SEARCH REPORT

International application No
PCT/TR2013/000004

A. CLASSIFICATION OF SUBJECT MATTER
INV. E04G5/00
ADD.
According to International Patent Classification (IPC) or to both national classification and IPC

B. FIELDS SEARCHED
Minimum documentation searched (classification system followed by classification symbols)
E04G B66F

Documentation searched other than minimum documentation to the extent that such documents are included in the fields searched

Electronic data base consulted during the international search (name of data base and, where practicable, search terms used)
EPO-Internal, WPI Data

C. DOCUMENTS CONSIDERED TO BE RELEVANT

Category*	Citation of document, with indication, where appropriate, of the relevant passages	Relevant to claim No.
X	WO 95/27836 A1 (VIANDON MAURICE [FR]) 19 October 1995 (1995-10-19)	1,3,4, 8-16
Y	page 1, line 13 - line 19; figures 1,6,7,8 page 2, line 17 - line 19 page 3, line 5 - line 8 page 4, line 18 - line 22	2,5-7,17
Y	US 2 796 299 A (FREEMAN GEORGE D) 18 June 1957 (1957-06-18)	2,6,7,17
A	column 1, line 15 - line 19; figures 1-3 column 1, line 69 - column 2, line 14 column 2, line 21 - line 25	1,8,13, 15
Y	EP 0 142 963 A2 (REED HENRY) 29 May 1985 (1985-05-29)	5
A	page 5, line 15 - line 18; figure 4 page 6, line 23 - line 26	1,3,4, 12,15
	----- -/--	

Further documents are listed in the continuation of Box C.

See patent family annex.

* Special categories of cited documents :

- "A" document defining the general state of the art which is not considered to be of particular relevance
- "E" earlier application or patent but published on or after the international filing date
- "L" document which may throw doubts on priority claim(s) or which is cited to establish the publication date of another citation or other special reason (as specified)
- "O" document referring to an oral disclosure, use, exhibition or other means
- "P" document published prior to the international filing date but later than the priority date claimed

"T" later document published after the international filing date or priority date and not in conflict with the application but cited to understand the principle or theory underlying the invention

"X" document of particular relevance; the claimed invention cannot be considered novel or cannot be considered to involve an inventive step when the document is taken alone

"Y" document of particular relevance; the claimed invention cannot be considered to involve an inventive step when the document is combined with one or more other such documents, such combination being obvious to a person skilled in the art

"&" document member of the same patent family

Date of the actual completion of the international search

2 August 2013

Date of mailing of the international search report

09/08/2013

Name and mailing address of the ISA/

European Patent Office, P.B. 5818 Patentlaan 2
NL - 2280 HV Rijswijk
Tel. (+31-70) 340-2040,
Fax: (+31-70) 340-3016

Authorized officer

Manera, Marco

INTERNATIONAL SEARCH REPORT

International application No
PCT/TR2013/000004

C(Continuation). DOCUMENTS CONSIDERED TO BE RELEVANT		
Category*	Citation of document, with indication, where appropriate, of the relevant passages	Relevant to claim No.
A	US 3 871 478 A (BUSHNELL JR SHERMAN W) 18 March 1975 (1975-03-18) figures 1,8,9 -----	1,15
A	GB 2 323 623 A (CORLETT ANTONY JOHN [GB]) 30 September 1998 (1998-09-30) figure 4 -----	1,15

INTERNATIONAL SEARCH REPORT

Information on patent family members

International application No

PCT/TR2013/000004

Patent document cited in search report	Publication date	Patent family member(s)	Publication date
WO 9527836	A1	19-10-1995	NONE

US 2796299	A	18-06-1957	NONE

EP 0142963	A2	29-05-1985	AU 3616284 A 03-06-1985
			EP 0142963 A2 29-05-1985
			GB 2151290 A 17-07-1985
			HK 55590 A 03-08-1990
			US 4732235 A 22-03-1988
			WO 8502219 A1 23-05-1985

US 3871478	A	18-03-1975	NONE

GB 2323623	A	30-09-1998	NONE
