



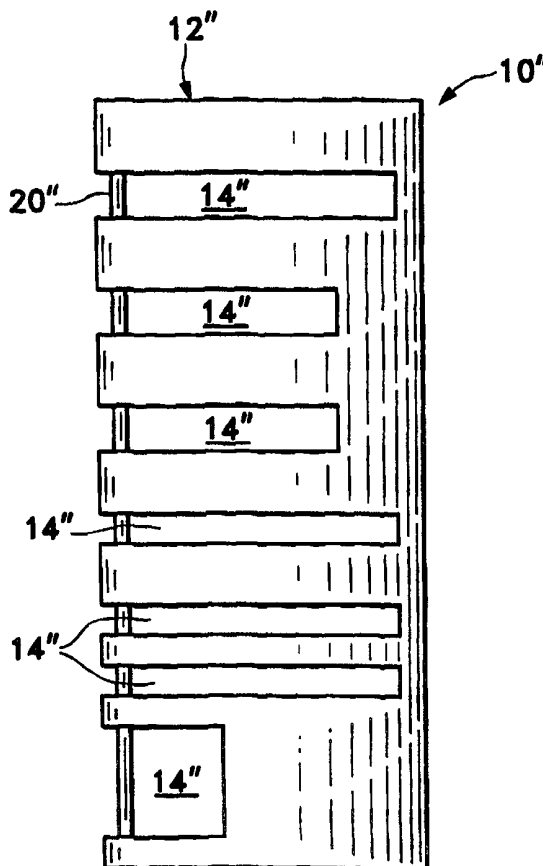
INTERNATIONAL APPLICATION PUBLISHED UNDER THE PATENT COOPERATION TREATY (PCT)

<p>(51) International Patent Classification ⁶ : A61M 25/00</p>	<p>A1</p>	<p>(11) International Publication Number: WO 99/11313 (43) International Publication Date: 11 March 1999 (11.03.99)</p>
<p>(21) International Application Number: PCT/US98/16100 (22) International Filing Date: 3 August 1998 (03.08.98) (30) Priority Data: 08/923,678 4 September 1997 (04.09.97) US (71) Applicant: ALCON LABORATORIES, INC. [US/US]; 6201 South Freeway, Fort Worth, TX 76134-2099 (US). (72) Inventor: INJEV, Valentine, P.; 170 Alicante Aisle, Irvine, CA 92714 (US). (74) Agents: SCHIRA, Jeffrey, S. et al.; Alcon Laboratories, Inc., R & D Legal Dept., Q-148, 6201 South Freeway, Fort Worth, TX 76134-2099 (US).</p>		<p>(81) Designated States: AU, BR, CA, JP, European patent (AT, BE, CH, CY, DE, DK, ES, FI, FR, GB, GR, IE, IT, LU, MC, NL, PT, SE). Published <i>With international search report.</i></p>

(54) Title: FLEXIBLE TUBE WITH CIRCULAR GROOVES OF VARYING WIDTH AND DEPTH

(57) Abstract

A flexible lumen (10, 10', 10'', 110, 210) made from a solid, relatively rigid tubing (12, 12', 12'', 112, 212) that is made flexible by cutting a series of grooves (14, 14', 14'', 114, 214) of varying width and depth through the side of the tubing (12, 12', 12'', 112, 212).



FOR THE PURPOSES OF INFORMATION ONLY

Codes used to identify States party to the PCT on the front pages of pamphlets publishing international applications under the PCT.

AL	Albania	ES	Spain	LS	Lesotho	SI	Slovenia
AM	Armenia	FI	Finland	LT	Lithuania	SK	Slovakia
AT	Austria	FR	France	LU	Luxembourg	SN	Senegal
AU	Australia	GA	Gabon	LV	Latvia	SZ	Swaziland
AZ	Azerbaijan	GB	United Kingdom	MC	Monaco	TD	Chad
BA	Bosnia and Herzegovina	GE	Georgia	MD	Republic of Moldova	TG	Togo
BB	Barbados	GH	Ghana	MG	Madagascar	TJ	Tajikistan
BE	Belgium	GN	Guinea	MK	The former Yugoslav Republic of Macedonia	TM	Turkmenistan
BF	Burkina Faso	GR	Greece	ML	Mali	TR	Turkey
BG	Bulgaria	HU	Hungary	MN	Mongolia	TT	Trinidad and Tobago
BJ	Benin	IE	Ireland	MR	Mauritania	UA	Ukraine
BR	Brazil	IL	Israel	MW	Malawi	UG	Uganda
BY	Belarus	IS	Iceland	MX	Mexico	US	United States of America
CA	Canada	IT	Italy	NE	Niger	UZ	Uzbekistan
CF	Central African Republic	JP	Japan	NL	Netherlands	VN	Viet Nam
CG	Congo	KE	Kenya	NO	Norway	YU	Yugoslavia
CH	Switzerland	KG	Kyrgyzstan	NZ	New Zealand	ZW	Zimbabwe
CI	Côte d'Ivoire	KP	Democratic People's Republic of Korea	PL	Poland		
CM	Cameroon	KR	Republic of Korea	PT	Portugal		
CN	China	KZ	Kazakstan	RO	Romania		
CU	Cuba	LC	Saint Lucia	RU	Russian Federation		
CZ	Czech Republic	LI	Liechtenstein	SD	Sudan		
DE	Germany	LK	Sri Lanka	SE	Sweden		
DK	Denmark	LR	Liberia	SG	Singapore		
EE	Estonia						

FLEXIBLE TUBE WITH CIRCULAR GROOVES OF VARYING WIDTH AND DEPTH

Background of the Invention

This invention relates generally to the field of catheters and more particularly to steerable catheters.

5 Medical catheters generally comprise flexible tubular members that may be inserted into the body through an incision. Some of these catheters may be twisted or steered by an internal guidewire. See, for example, U.S. Patent Nos. 4,921,482, 4,998,916, 5,037,391, 5,108,368, 5,203,772, 5,308,324, 5,372,587 and 5,378,234 (Hammerslag, et al.), U.S. Patent No. 5,217,465 (Steppe), U.S. Patent Nos. 5,242,449 and 5,364,405 (Zaleski)
10 and U.S. Patent No. 5,084,012 (Kelman), the entire contents of which are incorporated herein by reference.

Prior steerable catheters generally use a helical coil made of metal or plastic. The coil either surrounds flexible plastic tubing or the coil is coated with an elastomer to seal the coil fluid tight. The coil is rigid enough to resist collapse but flexible enough to be
15 steered. Coils of this type, however, are difficult to bend at large angles without causing permanent deformation of the coil, and it can be difficult and relatively expensive to manufacture a coil of variable spring constant.

Accordingly, a need continues for a flexible catheter coil that is easy and inexpensive to manufacture and that can be bent at large angles without permanent
20 deformation.

Brief Summary of the Invention

The present invention improves upon the prior art by providing a flexible lumen made from a solid, relatively rigid tubing that is made flexible by cutting a series of grooves of varying width and depth through the side of the tubing.

25 Accordingly, one objective of the present invention is to provide a flexible catheter lumen that is relatively easy and inexpensive to manufacture.

Another objective of the present invention is to provide a flexible catheter lumen having good torsional stability.

These and other advantages and objectives of the present invention will become apparent from the detailed description and claims that follow.

Brief Description of the Drawing

FIG. 1 is a perspective view of the first embodiment of the lumen of the present invention.

FIG. 2 is a side elevational view of the first embodiment of the lumen of the present invention.

FIG. 3 is a cross-sectional view of the first embodiment of the lumen of the present invention taken along line 3-3 in FIG. 2.

FIG. 4 is a side elevational view of the second embodiment of the lumen of the present invention.

FIG. 5 is a side elevational view of the third embodiment of the lumen of the present invention.

FIG. 6 is a front elevational view of the fourth embodiment of the lumen of the present invention.

FIG. 7 is a front elevational view of the fourth embodiment of the lumen of the present invention.

FIG. 8 is a cross-sectional view of the fourth embodiment of the lumen of the present invention taken along line 8-8 in FIG. 7.

FIG. 9 is a front elevational view of the fifth embodiment of the lumen of the present invention.

Detailed Description of the Invention

As best seen in FIGS. 1, 2 and 3, lumen 10 of the present invention generally consists of relatively rigid tube 12 into which a series of grooves 14 are cut, leaving a series of bands 16 held together by spine 18. As seen in FIGS. 4 and 5, grooves 14' and 14" can be of varying width and depth to effect the desired flexibility of lumens 10' and 10", respectively. Grooves 14, 14' or 14" may be parallel, or cut at any suitable angle. Tubes 12, 12' and 12" may be made from a variety of suitable materials such as plastic,

stainless steel or titanium and may be of any suitable thickness, varying or constant inside diameter or outside diameter.

Alternatively, as best seen in FIGS. 6, 7 and 8, lumen 110 can consist of tubing length 112 into which a series of opposing grooves 114 and 115 have been cut, leaving a series of semicircular bands 116 held together by a plurality of spines 118. The use of a plurality of spines 118 increases the torsional rigidity of lumen 110.

Lumens 10, 10', 10" and 110 may be made as a separate piece, as illustrated in FIGS. 1-8 or, as illustrated in FIG. 9, lumen 210 may be formed on the end of a relatively long tube 212. Such a structure eliminates the need to attach and seal lumen 210 to the end of a separate aspiration tube (not shown).

In use, lumens 10, 10', 10", 110 and 210 are sealed fluid tight by methods well-known in the art. The mechanism used to steer lumens 10, 10', 10", 110 and 210 are also well-known in the art. One preferred method is the use of one or more push/pull wires 20, 20', 20", 120 or 220. The operation of push/pull wires 20, 20', 20", 120 or 220 is fully disclosed in U.S. Patent Nos. 5,217,465 (Steppe) and 5,378,234 (Hammerslag, et al.) and is incorporated herein by reference.

This description is given for purposes of illustration and explanation. It will be apparent to those skilled in the relevant art that changes and modifications may be made to the invention described above without departing from its scope or spirit.

I claim:

- 1 1. A flexible lumen, comprising:
 - 2 a) a tubing;
 - 3 b) a plurality of grooves cut into the tubing forming at least one spine; and
 - 4 c) a plurality of bands held together by the spine.
- 1 2. The lumen of claim 1 wherein the grooves have varying width and depth.
- 1 3. The lumen of claim 1 wherein the plurality of grooves form two spines.
- 1 4. The lumen of claim 1 further comprising at least one push/pull wire.
- 1 5. The lumen of claim 1 wherein the grooves are parallel.
- 1 6. A flexible lumen, comprising:
 - 2 a) a length of tubing;
 - 3 b) a plurality of parallel grooves of varying width and depth cut into the length
 - 4 of tubing forming at least one spine; and
 - 5 c) a plurality of bands held together by the spine.
- 1 7. The lumen of claim 6 wherein the plurality of grooves form two spines.
- 1 8. The lumen of claim 6 further comprising at least one push/pull wire.

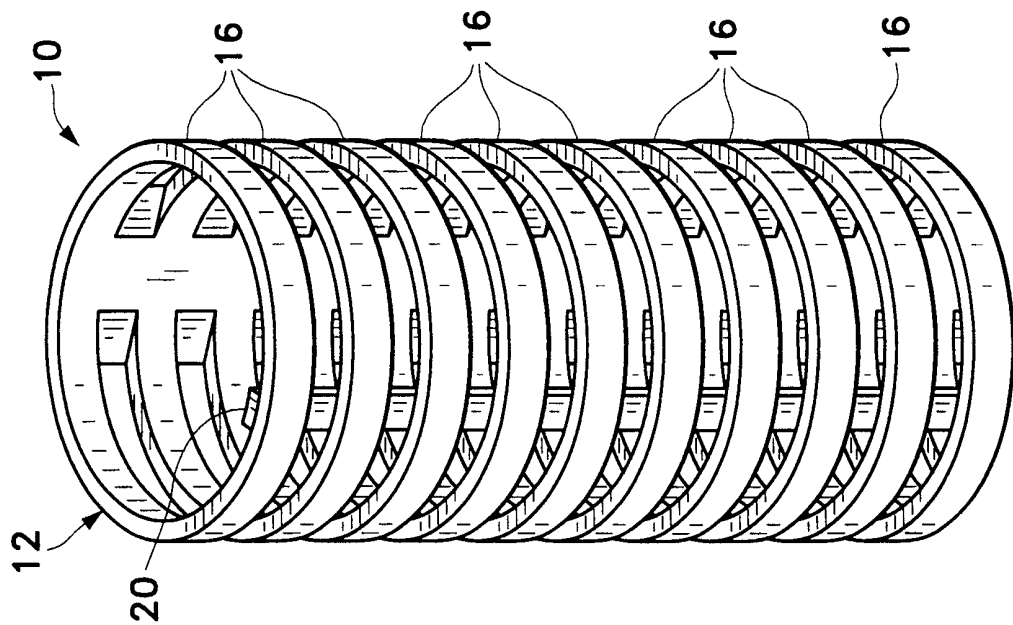


FIG. 1

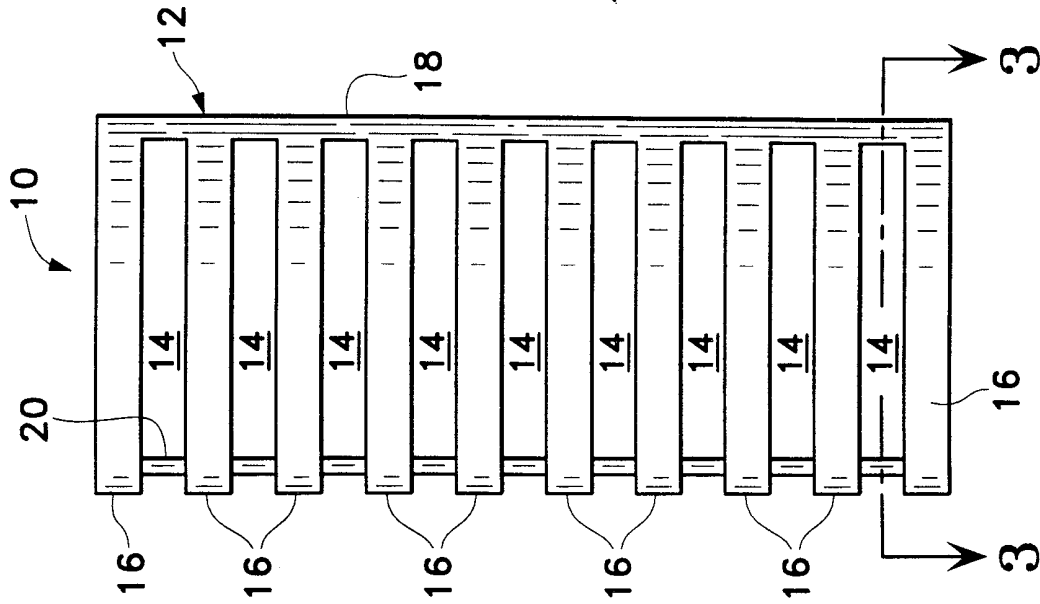


FIG. 2

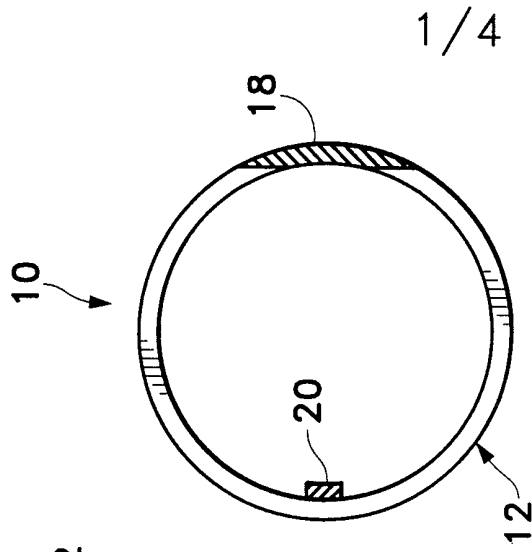


FIG. 3

1/4

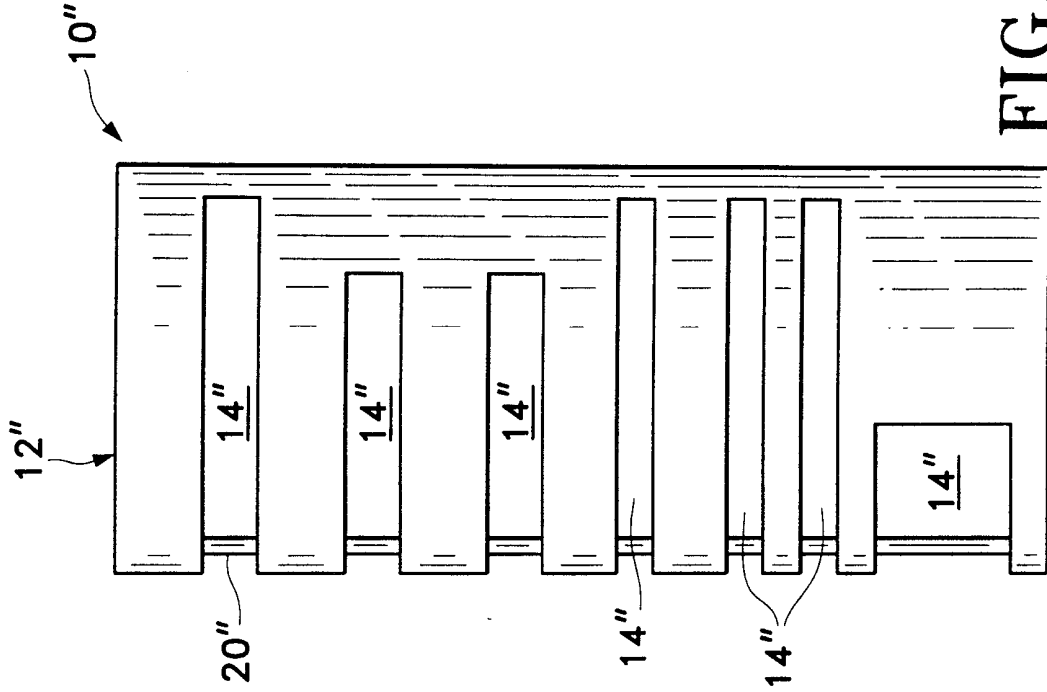


FIG. 4

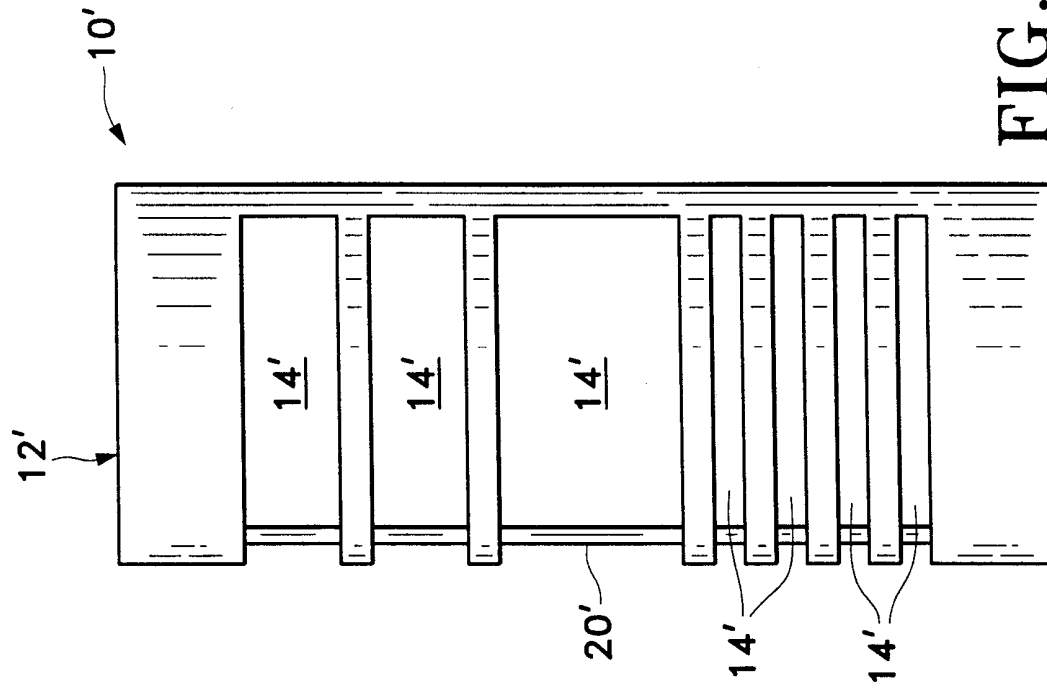
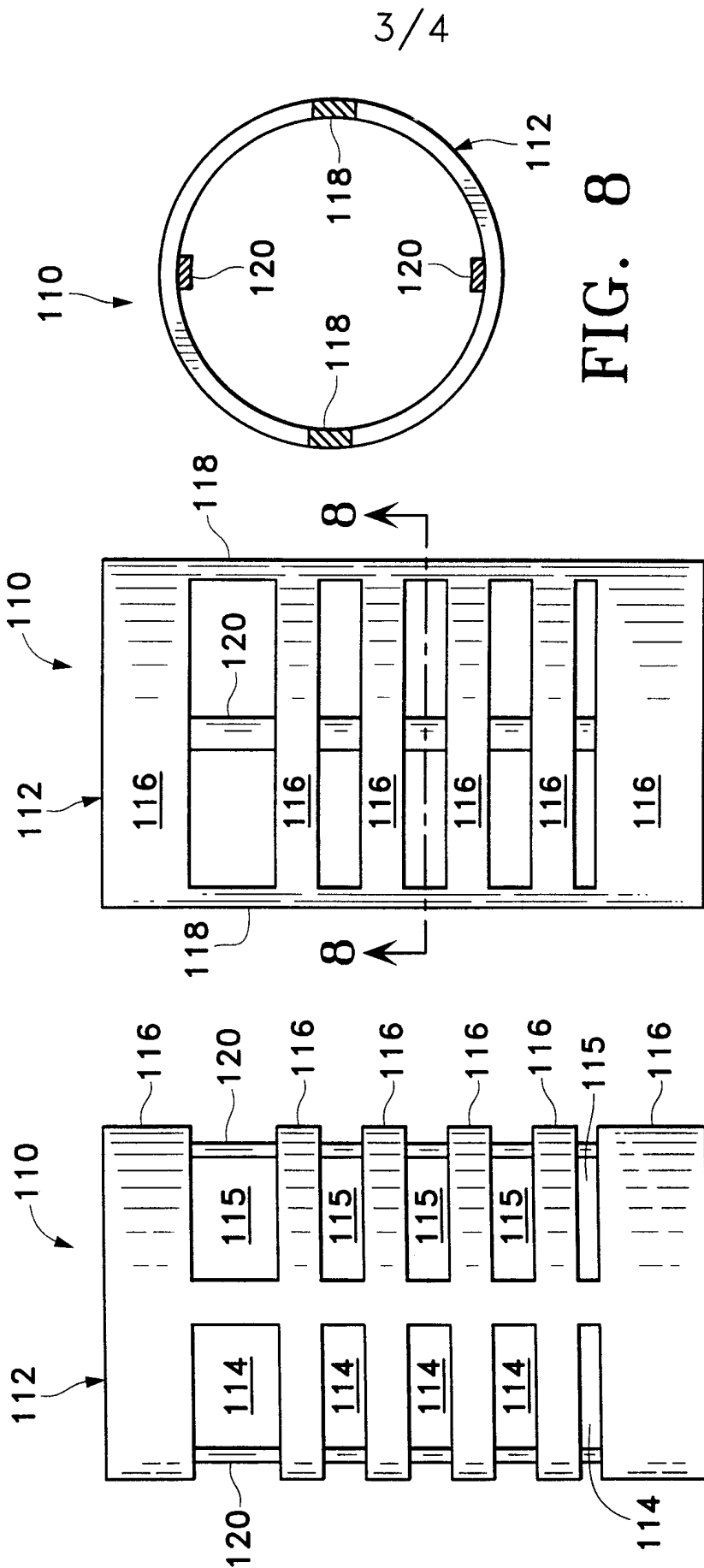


FIG. 5



3/4

FIG. 8

FIG. 7

FIG. 6

4/4

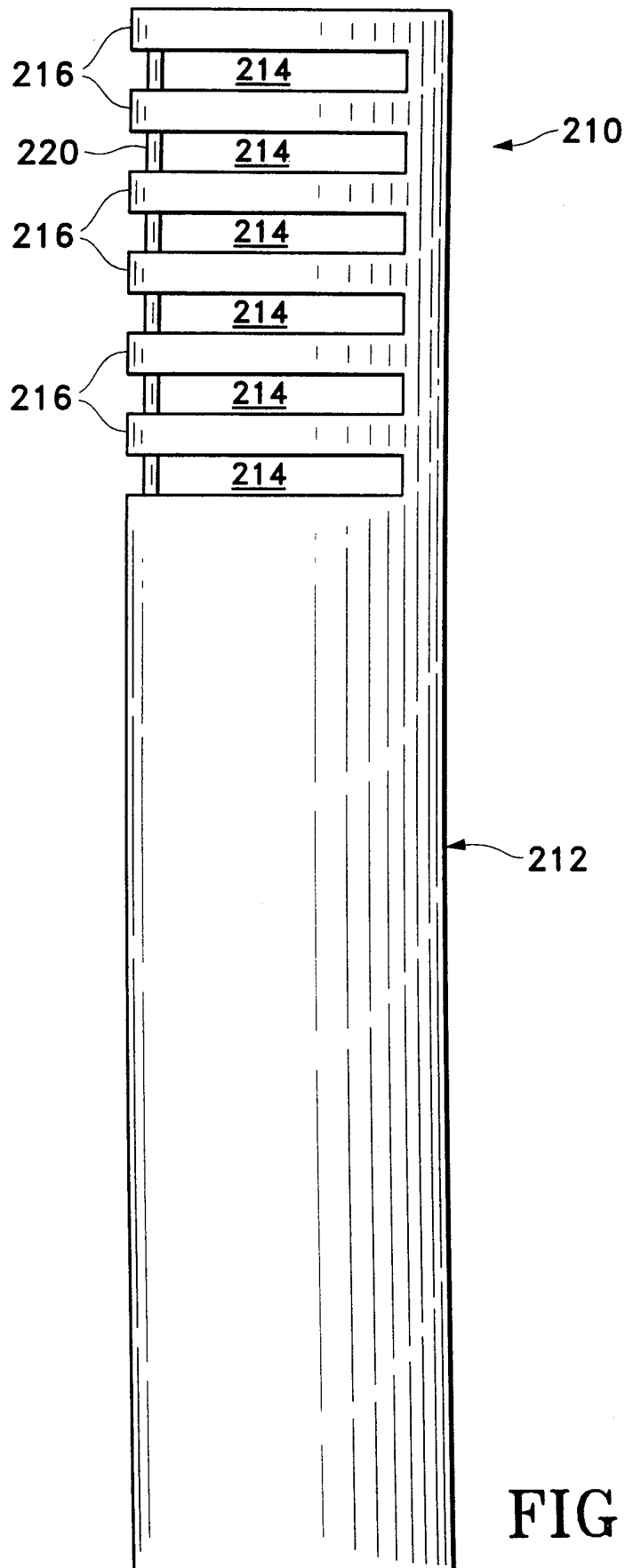


FIG. 9

INTERNATIONAL SEARCH REPORT

International Application No

PCT/US 98/16100

A. CLASSIFICATION OF SUBJECT MATTER
IPC 6 A61M25/00

According to International Patent Classification (IPC) or to both national classification and IPC

B. FIELDS SEARCHED

Minimum documentation searched (classification system followed by classification symbols)
IPC 6 A61M

Documentation searched other than minimum documentation to the extent that such documents are included in the fields searched

Electronic data base consulted during the international search (name of data base and, where practical, search terms used)

C. DOCUMENTS CONSIDERED TO BE RELEVANT

Category	Citation of document, with indication, where appropriate, of the relevant passages	Relevant to claim No.
X	US 5 381 782 A (DELARAMA ET AL) 17 January 1995	1,3-5
Y	see column 7, line 4 - column 9, line 56; figures 1-5	2,6-8

X	EP 0 778 039 A (SARCOS INC) 11 June 1997	1
Y	see column 2, line 57 - column 3, line 25 see column 4, line 26 - column 5, line 13; figures 1,4,5	2,6-8

X	FR 2 713 492 A (MICROFIL IND SA) 16 June 1995	1,3-5
A	see page 1, line 5 - line 17 see page 6, line 33 - page 7, line 28; figures 9-13	2,6-8

Further documents are listed in the continuation of box C.

Patent family members are listed in annex.

Special categories of cited documents :

- "A" document defining the general state of the art which is not considered to be of particular relevance
- "E" earlier document but published on or after the international filing date
- "L" document which may throw doubts on priority claim(s) or which is cited to establish the publication date of another citation or other special reason (as specified)
- "O" document referring to an oral disclosure, use, exhibition or other means
- "P" document published prior to the international filing date but later than the priority date claimed

- "T" later document published after the international filing date or priority date and not in conflict with the application but cited to understand the principle or theory underlying the invention
- "X" document of particular relevance; the claimed invention cannot be considered novel or cannot be considered to involve an inventive step when the document is taken alone
- "Y" document of particular relevance; the claimed invention cannot be considered to involve an inventive step when the document is combined with one or more other such documents, such combination being obvious to a person skilled in the art.
- "&" document member of the same patent family

Date of the actual completion of the international search

Date of mailing of the international search report

18 November 1998

27/11/1998

Name and mailing address of the ISA
European Patent Office, P.B. 5818 Patentlaan 2
NL - 2280 HV Rijswijk
Tel. (+31-70) 340-2040, Tx. 31 651 epo nl,
Fax: (+31-70) 340-3016

Authorized officer

Levert, C

INTERNATIONAL SEARCH REPORT

Information on patent family members

International Application No

PCT/US 98/16100

Patent document cited in search report	Publication date	Patent family member(s)	Publication date
US 5381782 A	17-01-1995	WO 9313704 A	22-07-1993
EP 0778039 A	11-06-1997	CA 2192045 A JP 9294813 A	08-06-1997 18-11-1997
FR 2713492 A	16-06-1995	NONE	