



US0D1028732S

(12) **United States Design Patent**  
**Berlepsch et al.**

(10) **Patent No.:** **US D1,028,732 S**

(45) **Date of Patent:** **\*\* May 28, 2024**

(54) **BOTTLE**

FOREIGN PATENT DOCUMENTS

(71) Applicant: **The Procter & Gamble Company**,  
Cincinnati, OH (US)

DE 102012200831 10/2013  
FR 1367512 A 5/1963

(Continued)

(72) Inventors: **Joseph Allen Berlepsch**, Hamilton, OH (US); **Timothy Hunn Tao Ling**, Blue Ash, OH (US); **Nolwenn Husson**, Geneva (CH); **Jan Wertel**, Berlin (DE); **Gernot Oberfell**, Munich (DE); **Markus Mau**, Munich (DE)

OTHER PUBLICATIONS

Free 300ml Liquid Medicine Syrup Bottle Mockup PSD. Online, published date unknown. Retrieved on Sep. 7, 2023 from URL: <https://dribbble.com/shots/18745238-Free-300ml-Liquid-Medicine-Syrup-Bottle-Mockup-PSD>.\*

(Continued)

(73) Assignee: **The Procter & Gamble Company**,  
Cincinnati, OH (US)

*Primary Examiner* — Omeed Agilee

(\*\*) Term: **15 Years**

(74) *Attorney, Agent, or Firm* — Andrew J. Mueller

(21) Appl. No.: **29/896,232**

(57) **CLAIM**

(22) Filed: **Jun. 30, 2023**

The ornamental design for a bottle, as shown and described above.

**Related U.S. Application Data**

**DESCRIPTION**

(63) Continuation of application No. 29/770,510, filed on Feb. 12, 2021, now Pat. No. Des. 996,220.

**Foreign Application Priority Data**

FIG. 1 is a perspective view of a first embodiment of a bottle;

Aug. 14, 2020 (WO) ..... WIPO97057

FIG. 2 is a front view thereof;

(51) **LOC (14) Cl.** ..... **09-01**

FIG. 3 is a back view thereof;

(52) **U.S. Cl.**

FIG. 4 is a left side view thereof;

USPC ..... **D9/549**

FIG. 5 is a right side view thereof;

(58) **Field of Classification Search**

FIG. 6 is a top view thereof;

USPC ..... D9/434-435, 439, 447, 449, 450,

FIG. 7 is a bottom view thereof;

D9/452-454, 516, 523, 524, 528-531,

FIG. 8 is a perspective view of a second embodiment of a bottle;

(Continued)

FIG. 9 is a front view thereof;

(56) **References Cited**

FIG. 10 is a back view thereof;

**U.S. PATENT DOCUMENTS**

FIG. 11 is a left side view thereof;

D2,937 S 2/1868 Hudson

FIG. 12 is a right side view thereof;

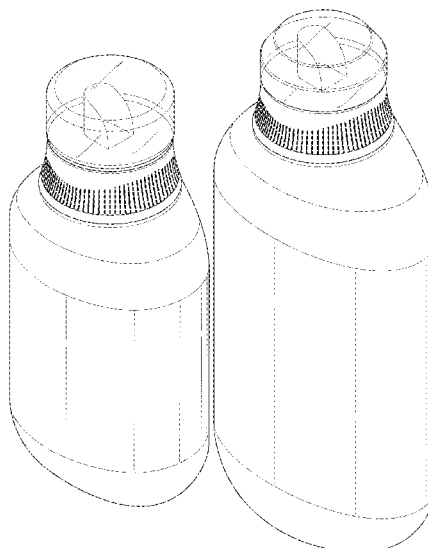
D29,723 S 11/1898 Lowe

FIG. 13 is a top view thereof; and,

(Continued)

FIG. 14 is a bottom view thereof.

**1 Claim, 10 Drawing Sheets**



(58) **Field of Classification Search**  
 USPC ..... D9/541-544, 549-553, 556-560, 563,  
                   D9/565, 566, 571-575, 682, 686, 687,  
                   D9/693, 694, 715, 719; D23/211, 225;  
                   D7/300, 300.1, 316, 317, 598  
 CPC ..... B65D 45/28; B65D 2501/0081; B65D  
                   21/0237; B65D 2501/0009; B65D 1/00;  
                   B65D 1/02; B65D 1/12; B65D 1/18;  
                   B65D 1/20; B65D 1/0223  
 See application file for complete search history.

(56) **References Cited**

U.S. PATENT DOCUMENTS

D38,211 S 8/1906 French  
 D40,194 S 7/1909 Bright  
 D60,401 S 2/1922 Galle  
 D96,459 S 8/1935 Forstmann  
 D103,858 S 3/1937 Minoff  
 D104,200 S 4/1937 Smith  
 D104,353 S 5/1937 Minoff  
 D116,385 S 8/1939 Sigoda  
 D145,975 S 11/1946 Derham  
 D146,497 S 3/1947 Derham  
 2,426,058 A 8/1947 Scogland  
 D185,027 S 4/1959 McCord  
 D208,116 S 7/1967 Landor  
 3,672,950 A 6/1972 Murphy et al.  
 3,684,641 A 8/1972 Murphy  
 3,760,968 A 9/1973 Amberg  
 3,923,178 A 12/1975 Welker, III  
 D240,563 S 7/1976 Whitehead  
 D243,064 S 1/1977 Beeman et al.  
 D244,198 S 5/1977 Kamensky  
 D245,314 S 8/1977 Mitchell  
 D245,315 S 8/1977 Mitchell  
 D247,371 S 2/1978 Whitehead  
 4,079,739 A 3/1978 Whitehead  
 D248,832 S 8/1978 Weckman  
 4,151,250 A 4/1979 Barry  
 D252,670 S 8/1979 Beeman  
 D277,734 S 2/1985 Harris  
 D277,823 S 3/1985 Harris  
 D278,119 S 3/1985 Harris  
 D278,123 S 3/1985 Harris  
 D278,973 S 5/1985 Harris  
 4,708,255 A 11/1987 Thompson  
 D301,288 S 5/1989 Etro  
 5,060,827 A 10/1991 Segati  
 5,100,017 A 3/1992 Ishinabe  
 D333,433 S 2/1993 Segati  
 5,201,438 A 4/1993 Norwood  
 D337,264 S 7/1993 Paglina  
 D337,267 S 7/1993 Paglina  
 D338,157 S 8/1993 Desgrippes  
 D352,906 S 11/1994 Gobe  
 D353,773 S 12/1994 Desgrippes  
 D356,264 S \* 3/1995 Praturlon ..... D9/773  
 5,429,630 A 7/1995 Beal et al.  
 5,499,730 A 3/1996 Harbour  
 D372,873 S \* 8/1996 Lathrop ..... D9/558  
 D394,813 S 6/1998 Homsy  
 D395,826 S 7/1998 Hygaard  
 D411,457 S 6/1999 Ruda  
 D411,740 S 6/1999 Kim  
 5,909,820 A 6/1999 Yeh  
 D412,441 S 8/1999 Cheng et al.  
 D417,396 S 12/1999 Gobe  
 D419,887 S 2/2000 Dugan  
 D423,360 S 4/2000 Togasawa  
 D424,441 S 5/2000 Santagiuliana  
 D425,424 S 5/2000 Cheng et al.  
 D440,493 S 4/2001 Santagiuliana  
 6,227,392 B1 5/2001 Balzeau  
 D448,677 S 10/2001 Krich  
 6,417,120 B1 7/2002 Mitchler et al.

6,458,447 B1 10/2002 Cabell  
 D490,320 S 5/2004 Guislain  
 6,755,314 B2 6/2004 Cooper  
 D505,624 S 5/2005 Helps  
 D506,673 S 6/2005 Grant  
 D512,643 S 12/2005 Busa, Jr. et al.  
 D515,935 S 2/2006 Lin  
 RE39,044 E 3/2006 Ross  
 D534,427 S 1/2007 Crawford  
 D535,879 S 1/2007 Crawford  
 7,172,087 B1 2/2007 Axe  
 7,185,827 B2 3/2007 Quintard  
 D543,861 S 6/2007 Garcia-ruiz  
 D544,363 S 6/2007 Hendricks  
 D546,684 S 7/2007 Crawford  
 D548,076 S 8/2007 Matsumura  
 D550,559 S 9/2007 Meeker  
 D550,560 S 9/2007 Bates  
 D555,482 S 11/2007 Bates  
 D558,052 S 12/2007 Harper  
 D562,141 S 2/2008 Bates  
 D565,414 S 4/2008 Bates  
 D565,420 S 4/2008 Adamson et al.  
 D565,959 S 4/2008 Hadtke  
 D569,259 S 5/2008 Darr et al.  
 D570,702 S 6/2008 Adamson et al.  
 D571,217 S 6/2008 Bates  
 D577,598 S 9/2008 Darr et al.  
 D586,226 S 2/2009 Lloyd  
 D596,040 S 7/2009 Lepoitevin  
 7,556,164 B2 7/2009 Tanaka  
 D598,284 S 8/2009 Floyd  
 D599,213 S 9/2009 Desico  
 D601,903 S 10/2009 Lepoitevin  
 D603,713 S 11/2009 James  
 D603,714 S 11/2009 James  
 D607,735 S 1/2010 Kuzma  
 D609,104 S 2/2010 Ablo  
 D611,830 S 3/2010 Casey et al.  
 D612,239 S 3/2010 Marotti  
 D614,039 S 4/2010 Arnell  
 D614,041 S \* 4/2010 Kuzma ..... D9/557  
 D621,267 S 8/2010 Arnell  
 D621,270 S 8/2010 Arnell  
 D622,613 S 8/2010 Baron  
 D626,422 S 11/2010 Lloyd  
 D629,305 S 12/2010 Arnell et al.  
 D632,581 S \* 2/2011 Kuzma ..... D9/558  
 D638,295 S 5/2011 Heidel  
 D643,736 S 8/2011 Lagerqvist  
 D644,114 S 8/2011 Williams  
 D653,118 S 1/2012 Asano  
 D654,800 S 2/2012 Geeraert et al.  
 D656,022 S 3/2012 Thielman et al.  
 D657,674 S 4/2012 Biesecker  
 D660,165 S 5/2012 Fuller  
 D661,593 S 6/2012 Heidel  
 D663,126 S 7/2012 Lapinid, Jr.  
 D666,499 S 9/2012 Fuller  
 D668,547 S 10/2012 Floyd et al.  
 D682,694 S 5/2013 Van  
 D687,714 S 8/2013 De  
 8,511,472 B2 8/2013 Dupuis  
 D689,368 S 9/2013 Kim  
 8,574,962 B2 11/2013 Nakata  
 8,608,002 B2 12/2013 Hennebelle  
 D703,051 S 4/2014 Riley  
 D704,061 S 5/2014 Yip  
 D704,556 S 5/2014 Van Den Hoonard  
 D719,031 S 12/2014 Teitelbaum et al.  
 D719,033 S 12/2014 Kaddari  
 D719,830 S 12/2014 Uchida  
 9,017,703 B2 4/2015 Arthur  
 D732,966 S 6/2015 Davis  
 D736,624 S 8/2015 Berlepsch  
 D741,180 S 10/2015 Higareda et al.  
 D746,681 S 1/2016 Jasso Gomez  
 D747,211 S \* 1/2016 Nagata ..... D9/559  
 D754,541 S 4/2016 Jasso Gomez

(56)

References Cited

U.S. PATENT DOCUMENTS

D759,495 S 6/2016 Hawry  
 D768,482 S 10/2016 Berlepsch  
 D773,307 S 12/2016 Ashbee  
 D777,579 S 1/2017 Jasso Gomez  
 D781,708 S 3/2017 Jasso Gomez  
 D790,347 S 6/2017 Curro  
 D792,226 S 7/2017 Desjardins  
 D794,462 S 8/2017 Gerhards  
 D799,976 S \* 10/2017 Maier ..... D9/554  
 D804,314 S \* 12/2017 Jeong ..... D9/529  
 D806,555 S \* 1/2018 Kuzma ..... D9/563  
 D808,267 S 1/2018 Jasso Gomez  
 D813,048 S \* 3/2018 Hamel ..... D9/556  
 D814,931 S 4/2018 Alima  
 D817,171 S 5/2018 Patrick  
 D817,178 S 5/2018 Jeong  
 D818,366 S 5/2018 Gerhards  
 D826,058 S \* 8/2018 Pel ..... D9/542  
 D832,098 S 10/2018 Ogg et al.  
 D837,059 S 1/2019 Wiggins  
 D848,274 S 5/2019 Pinchiaroli et al.  
 D851,493 S 6/2019 Mefford  
 D852,634 S \* 7/2019 Balletta ..... D9/550  
 D860,798 S \* 9/2019 McGreevy ..... D9/449  
 D860,803 S \* 9/2019 McSorley ..... D9/570  
 D865,526 S 11/2019 Berlepsch  
 D878,919 S \* 3/2020 Randazzo ..... D9/503  
 D884,479 S 5/2020 Hall  
 D900,615 S \* 11/2020 Gautier ..... D9/542  
 D908,013 S 1/2021 Rohling  
 D918,729 S \* 5/2021 Sun ..... D9/557  
 D931,107 S 9/2021 Berlepsch et al.  
 D953,114 S \* 5/2022 Sebastian Azpiazu ..... D9/503  
 D962,071 S \* 8/2022 Pascalie ..... D9/529  
 D977,985 S \* 2/2023 De Baschmakoff ..... D9/690  
 D996,220 S \* 8/2023 Berlepsch ..... D9/552  
 2003/0010744 A1 1/2003 Ma  
 2004/0031771 A1 2/2004 Cooper  
 2005/0230401 A1 10/2005 Hanson  
 2006/0065566 A1 3/2006 Steih  
 2007/0102393 A1 5/2007 Colin  
 2007/0252382 A1 11/2007 Baum  
 2007/0254145 A1 11/2007 Sawin  
 2008/0110853 A1 5/2008 Toms  
 2008/0314862 A1 12/2008 Matsuoka  
 2009/0065468 A1 3/2009 Hata  
 2010/0025477 A1 2/2010 Deloche  
 2010/0252477 A1 10/2010 Yamamoto  
 2010/0297335 A1 11/2010 Mellin

2011/0266248 A1 11/2011 Popiel  
 2012/0228312 A1 9/2012 Sutherland  
 2013/0200036 A1 8/2013 Delage  
 2013/0261579 A1 10/2013 Hwang et al.  
 2014/0217054 A1 8/2014 Kisela  
 2015/0353221 A1 12/2015 Berlepsch  
 2015/0353222 A1\* 12/2015 Berlepsch ..... B65D 1/0223  
 220/675  
 2015/0353225 A1 12/2015 Takeddine  
 2017/0029994 A1 2/2017 Ashraf et al.

FOREIGN PATENT DOCUMENTS

GB 2103277 A 2/1983  
 GB 2345480 A 7/2000  
 IN 339757-001 \* 8/2022  
 JP 2013112390 A 6/2013  
 JP 2014084142 A 5/2014  
 WO 2015187760 A1 12/2015  
 WO D090218-001 \* 4/2016

OTHER PUBLICATIONS

A sparkling New look for Harrogate Spring Water, Design Week on Twitter, Feb. 14, 2019, 1 Page.  
 All Office Actions, U.S. Appl. No. 29/770,510, filed Feb. 12, 2021.  
 All Office Actions, U.S. Appl. No. 29/493,225, filed Jun. 6, 2014.  
 All Office Actions, U.S. Appl. No. 29/493,688, filed Jun. 12, 2014.  
 All Office Actions, U.S. Appl. No. 29/566,858, filed Jun. 3, 2016.  
 All Office Actions, U.S. Appl. No. 14/298,172, filed Jun. 6, 2014.  
 All Office Actions, U.S. Appl. No. 14/729,649, filed Jun. 3, 2015.  
 All Office Actions, U.S. Appl. No. 29/566,845, filed Jun. 3, 2016.  
 All Office Actions, U.S. Appl. No. 29/639,128, filed Mar. 5, 2018.  
 All Office Actions, U.S. Appl. No. 29/705,930, filed Sep. 17, 2019.  
 Banks, "Thomson Brand Partners refreshes Harrogate Spring Water", retrieved from [www.web.archive.org](http://www.web.archive.org), May 28, 2014, 6 Pages.  
 Hex Performance, Hex Performance Facebook Post, URL: <https://www.facebook.com/hexperformance/photos/1694948673946492>, Year 2018, pp. 1.  
 Isklar, Packaging Design Archive retrieved from [www.packagingdesignarchive.org](http://www.packagingdesignarchive.org), Sep. 4, 2012, p. 1.  
 ParfumDreams, [http://www.parfumdreams.de/Hugo-Boss/Hugo-Herrenduefte/Hugo-Red/Eau-De-Toilette-Spray/index\\_41172.aspx](http://www.parfumdreams.de/Hugo-Boss/Hugo-Herrenduefte/Hugo-Red/Eau-De-Toilette-Spray/index_41172.aspx), Jun. 5, 2014, 3 Pages.  
 "Still images from a full screen Slideshow" No known date, 3 Pages. Retrieved from <http://www.webarchive.org/web/20140515002920/>  
<http://www.harrogatespring.com/>.

\* cited by examiner

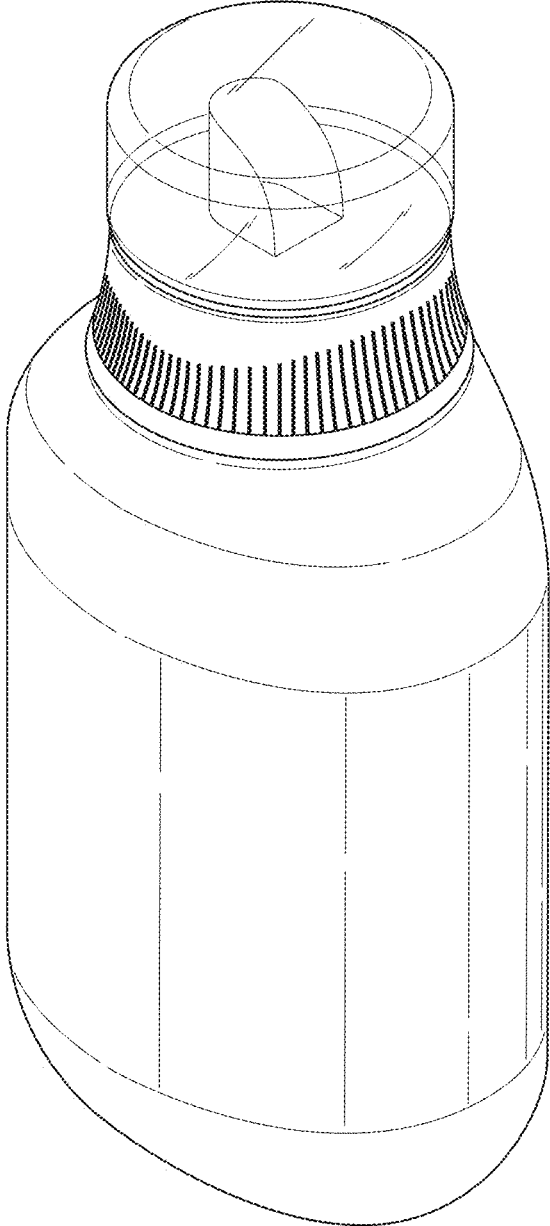


FIG. 1

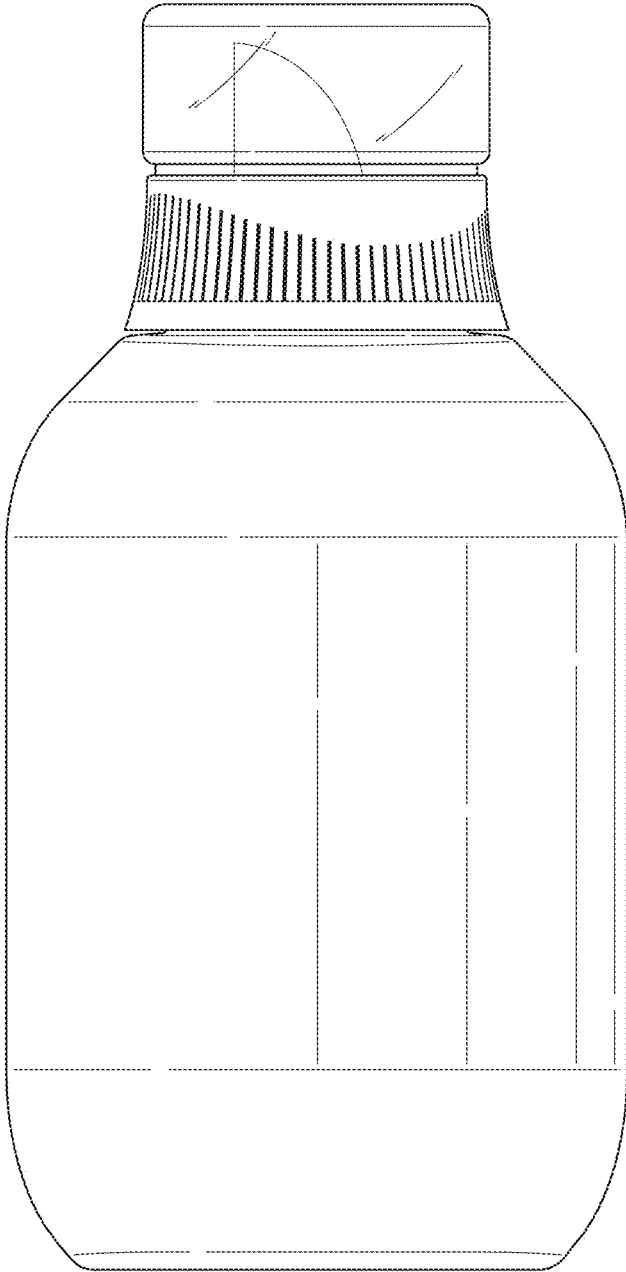


FIG. 2

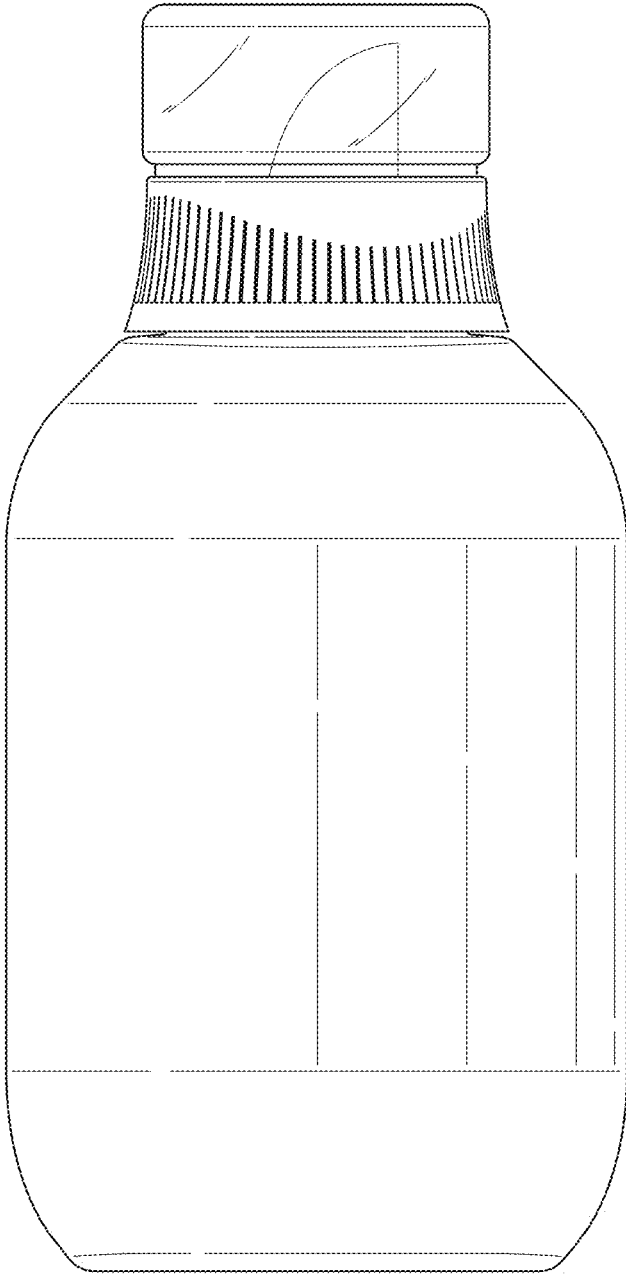


FIG. 3

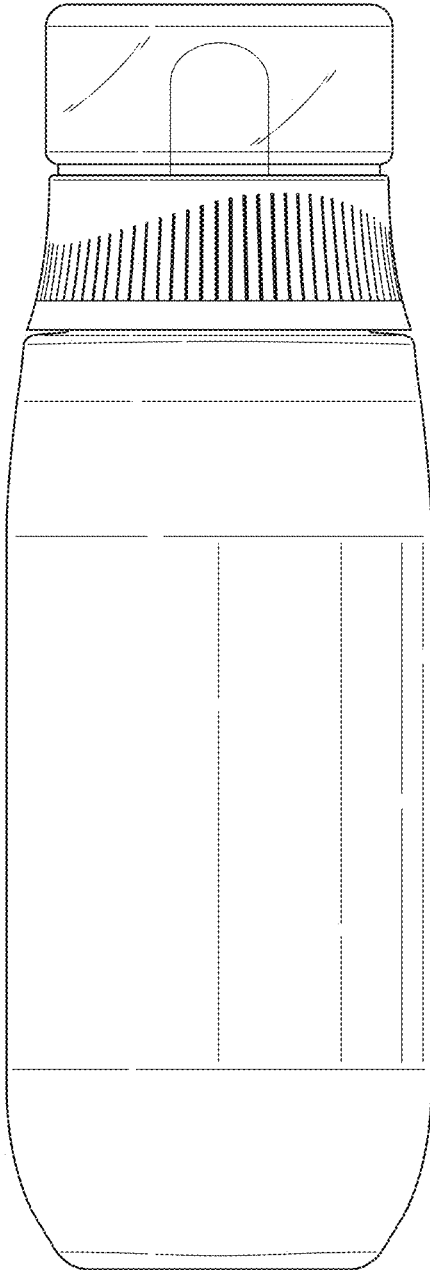


FIG. 4

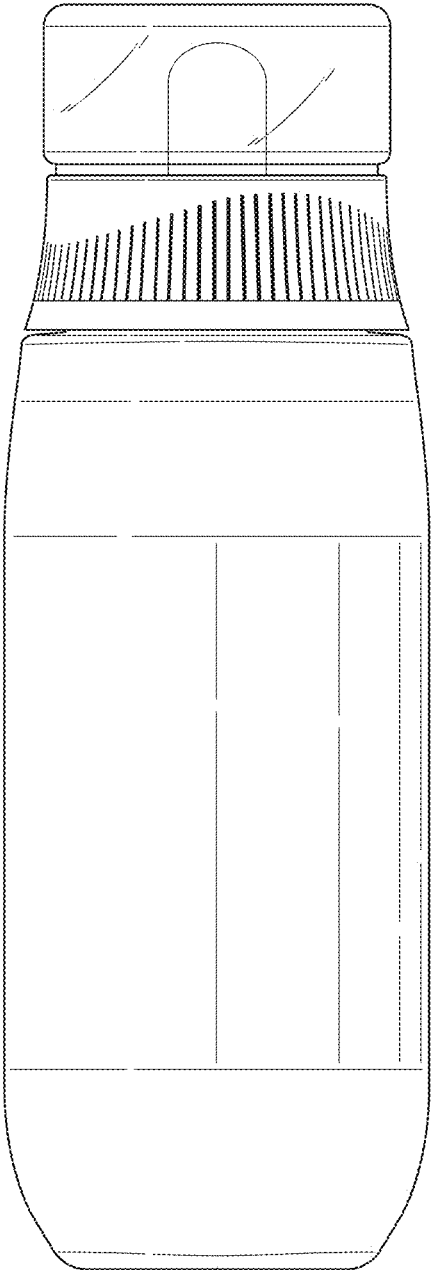


FIG. 5

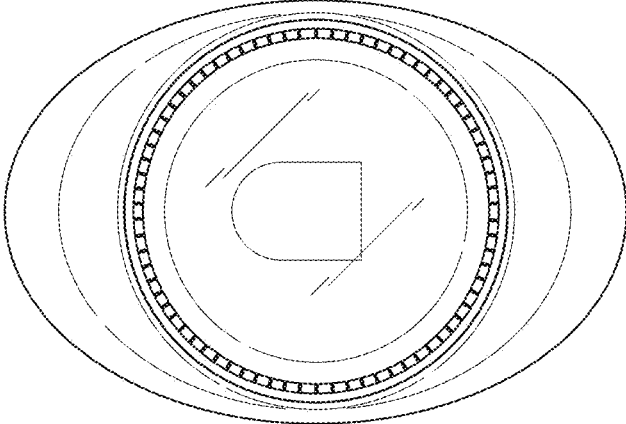


FIG. 6

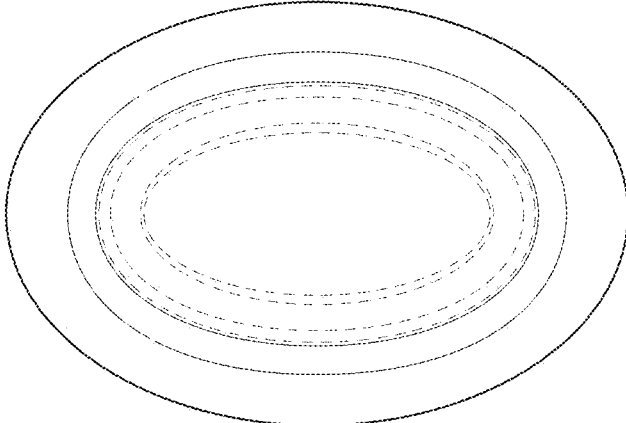


FIG. 7



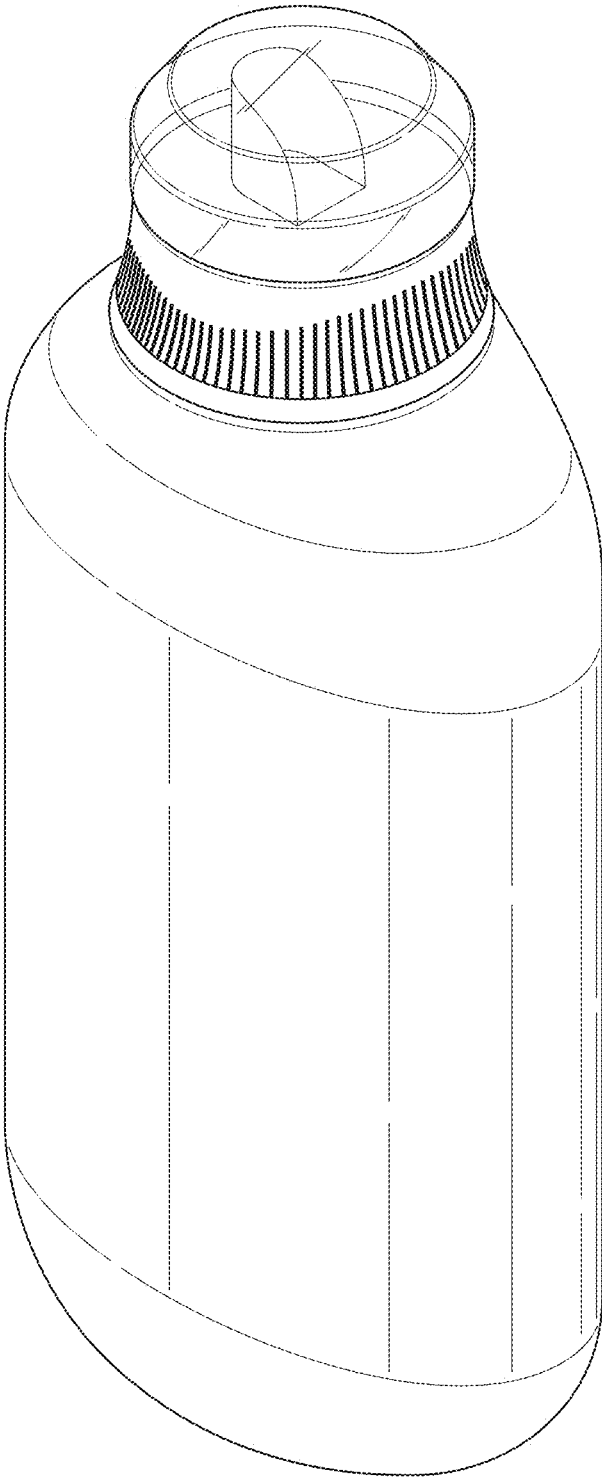


FIG. 8

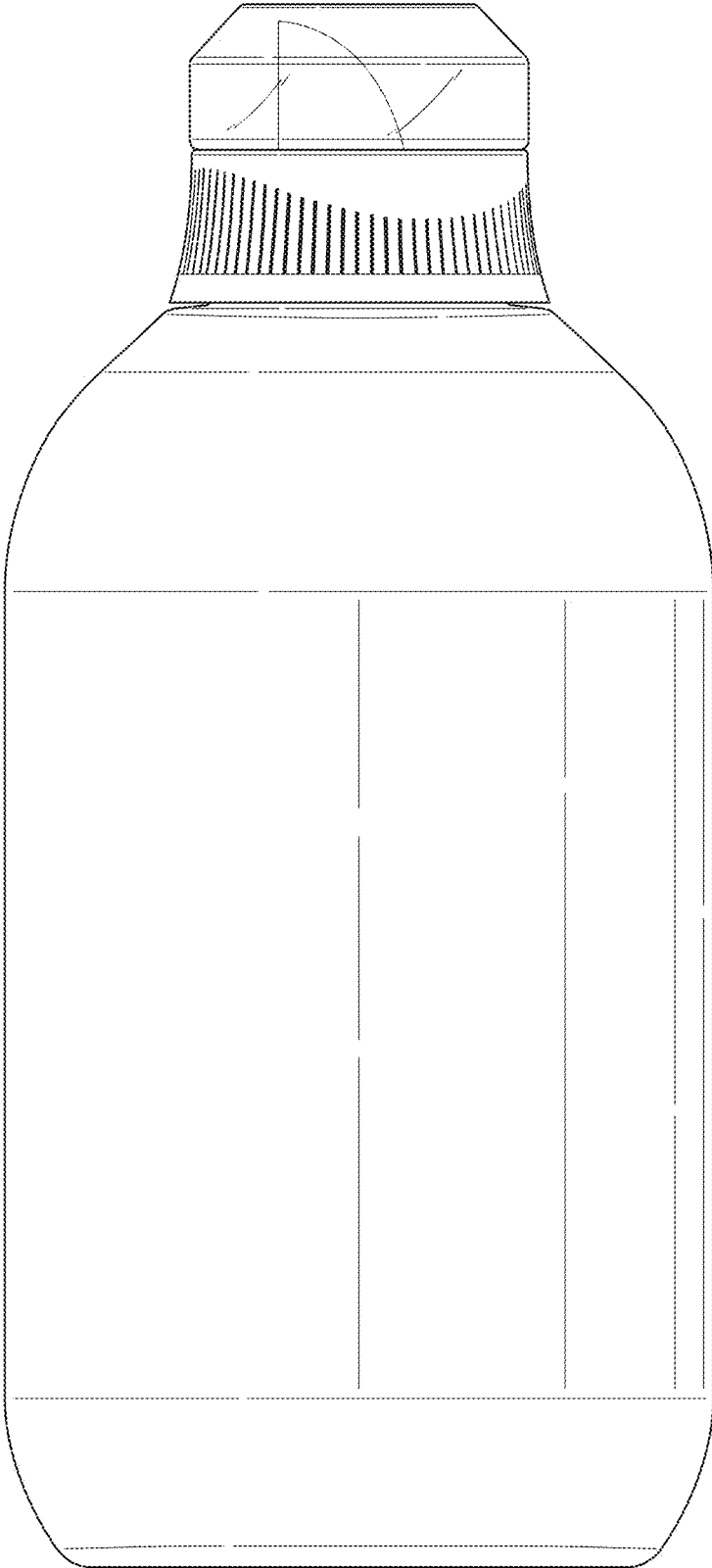


FIG. 9

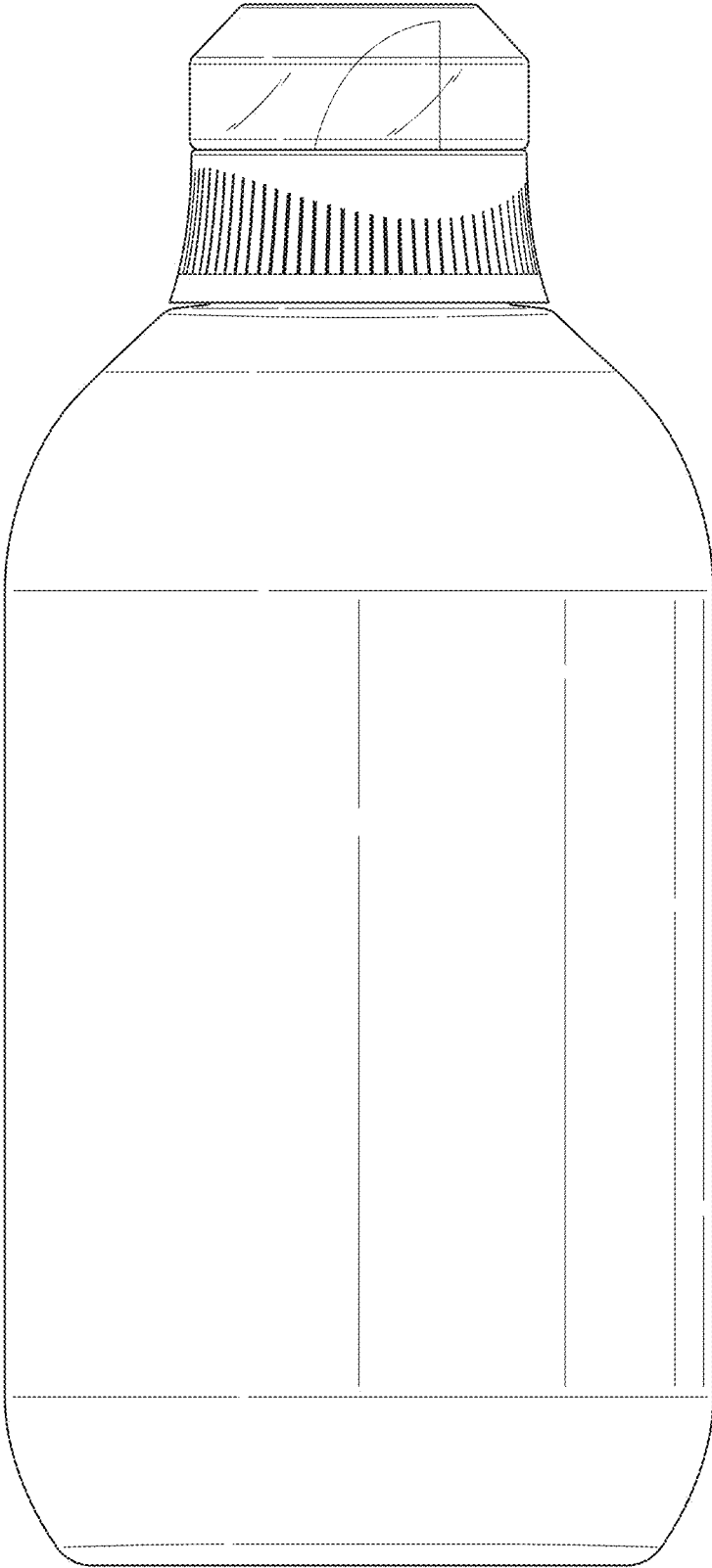


FIG. 10

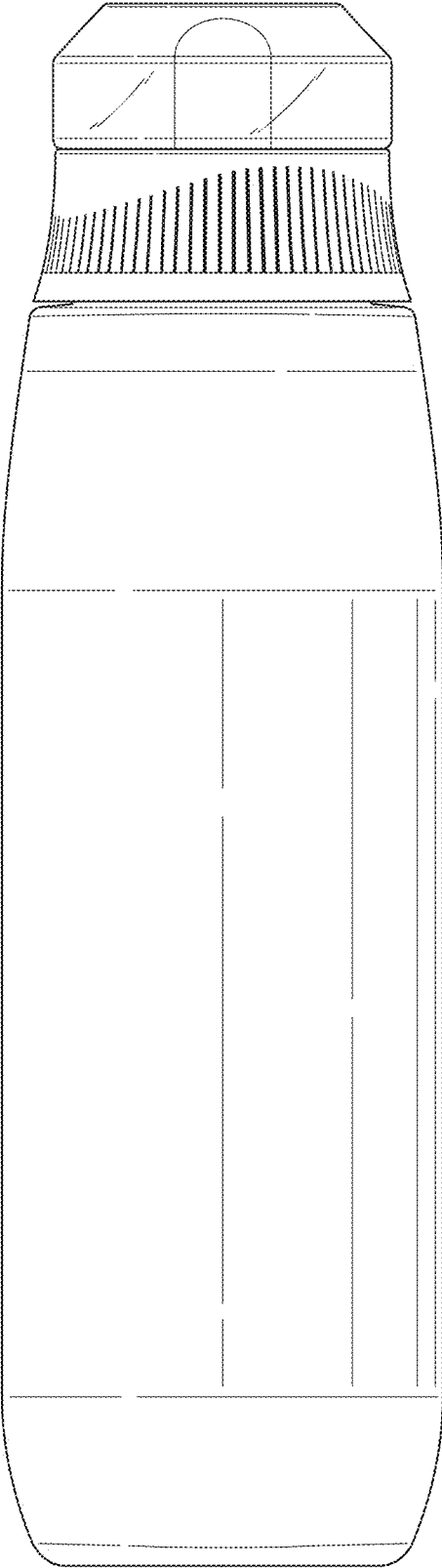


FIG. 11

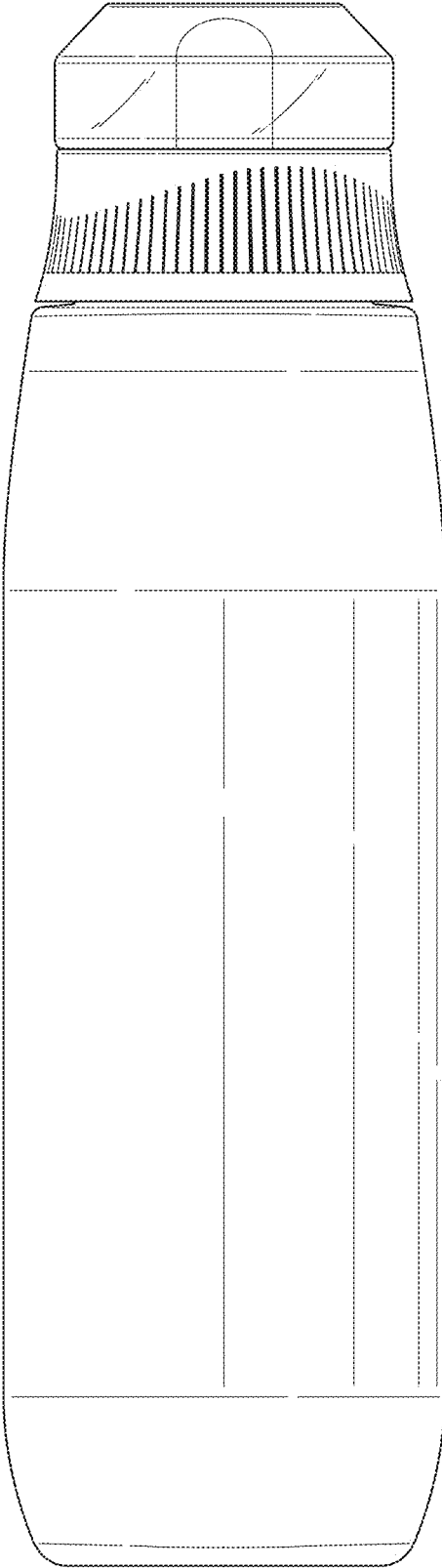


FIG. 12

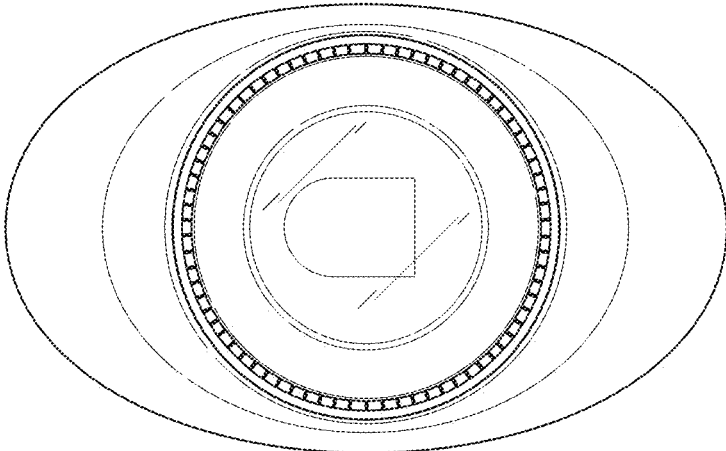


FIG. 13

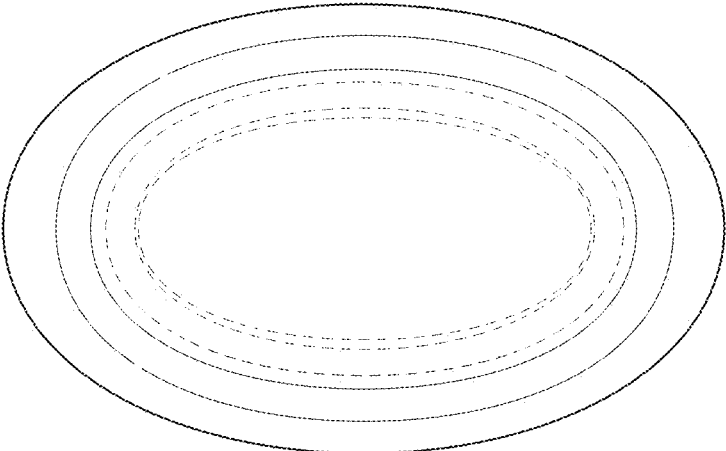


FIG. 14