



US00D332950S

United States Patent [19]

[11] Patent Number: **Des. 332,950**

Kirwan et al.

[45] Date of Patent: **** Feb. 2, 1993**

[54] **SNAP GUIDE**

D. 313,739	1/1991	Preston	D8/396 X
D. 320,200	9/1991	Kirwan et al.	D14/116
3,034,170	5/1962	Koebel	16/202 X

[75] Inventors: **Bruce L. Kirwan**, Concord; **Thomas W. Petrie**, Oakland, both of Calif.

Primary Examiner—Wallace R. Burke
Assistant Examiner—H. Baynham
Attorney, Agent, or Firm—Blakely, Sokoloff, Taylor & Zafman

[73] Assignee: **Thunderware, Inc.**, Orinda, Calif.

[**] Term: **14 Years**

[21] Appl. No.: **608,891**

[57] CLAIM

[22] Filed: **Nov. 5, 1990**

The ornamental design for a snap guide, as shown.

[52] U.S. Cl. **D14/116; D14/114;**
D8/349

DESCRIPTION

[58] Field of Search **D8/349, 396; 16/202;**
D14/114, 116; 250/566, 568

FIG. 1 is a perspective view of the snap guide;
FIG. 2 is a top plan view thereof;
FIG. 3 is a bottom view thereof;
FIG. 4 is a front view thereof;
FIG. 5 is a back view thereof;
FIG. 6 is a right side view thereof; and,
FIG. 7 is a left side view thereof.

[56] **References Cited**

U.S. PATENT DOCUMENTS

D. 312,631 12/1990 Schorr et al. D14/114

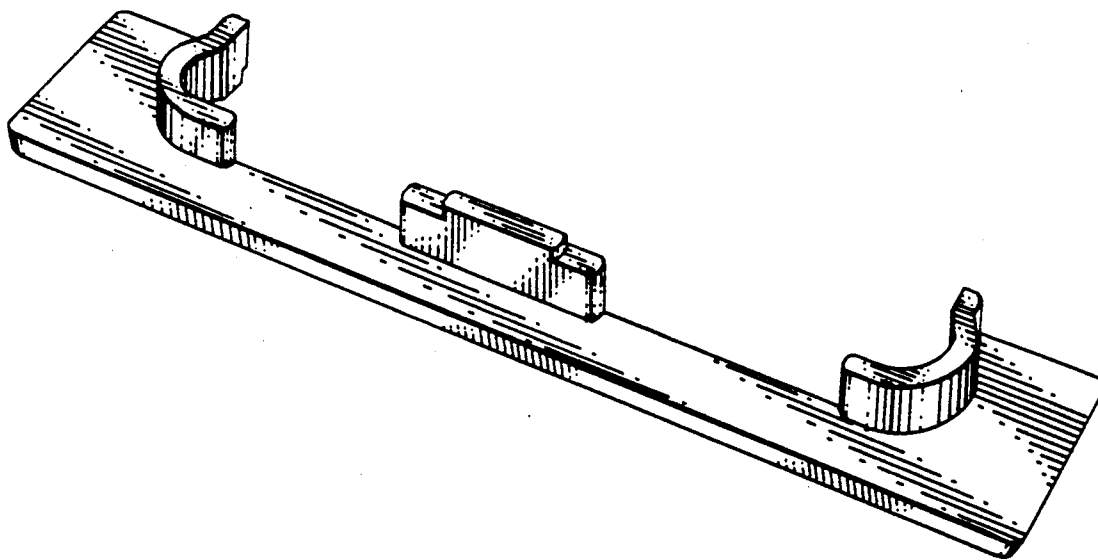


FIG 1

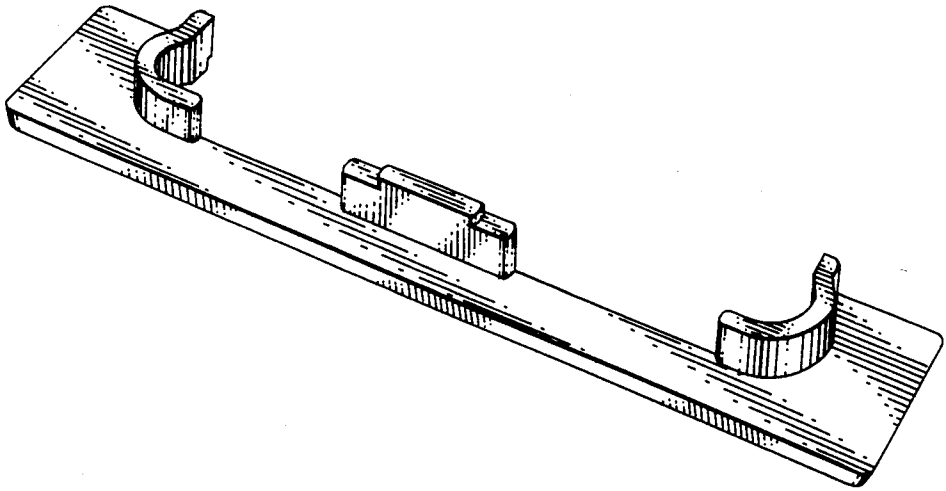


FIG 2

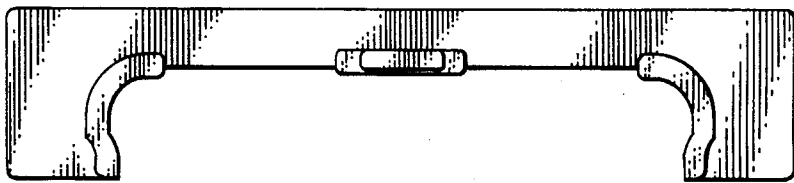


FIG 3

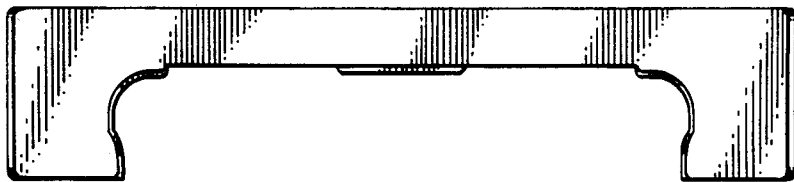


FIG 4



FIG 5



FIG 6



FIG 7

