



US00D730724S

(12) **United States Design Patent**
Brown

(10) **Patent No.:** **US D730,724 S**

(45) **Date of Patent:** **** Jun. 2, 2015**

(54) **PIPE SUPPORT DEVICE**

(71) Applicant: **James M. Brown**, Richland Hills, TX
(US)

(72) Inventor: **James M. Brown**, Richland Hills, TX
(US)

(**) Term: **14 Years**

(21) Appl. No.: **29/452,082**

(22) Filed: **Apr. 11, 2013**

Related U.S. Application Data

(62) Division of application No. 12/893,472, filed on Sep. 29, 2010, now abandoned.

(51) **LOC (10) Cl.** **08-05**

(52) **U.S. Cl.**
USPC **D8/380**

(58) **Field of Classification Search**
USPC D8/380, 354; 248/49
See application file for complete search history.

(56) **References Cited**

U.S. PATENT DOCUMENTS

3,167,291	A *	1/1965	Maguire	248/188.1
4,695,022	A *	9/1987	Mendonsa et al.	248/176.1
5,603,187	A *	2/1997	Merrin et al.	52/58
5,906,341	A *	5/1999	Brown	248/49

D420,890	S *	2/2000	Kuhnke	D8/354
D421,708	S *	3/2000	Kuhnke	D8/349
6,076,778	A *	6/2000	Brown	248/49
6,502,791	B2 *	1/2003	Parker	248/70
6,536,717	B2 *	3/2003	Parker	248/49
D578,379	S *	10/2008	Sorkin	D8/354
D628,047	S *	11/2010	Craig	D8/354

* cited by examiner

Primary Examiner — Susan Bennett Hattan

Assistant Examiner — Vy Koenig

(74) *Attorney, Agent, or Firm* — Charles D. Gunter, Jr.

(57) **CLAIM**

The ornamental design for a pipe support device, as shown and described.

DESCRIPTION

FIG. 1 is a perspective view of the pipe support device showing my new design;

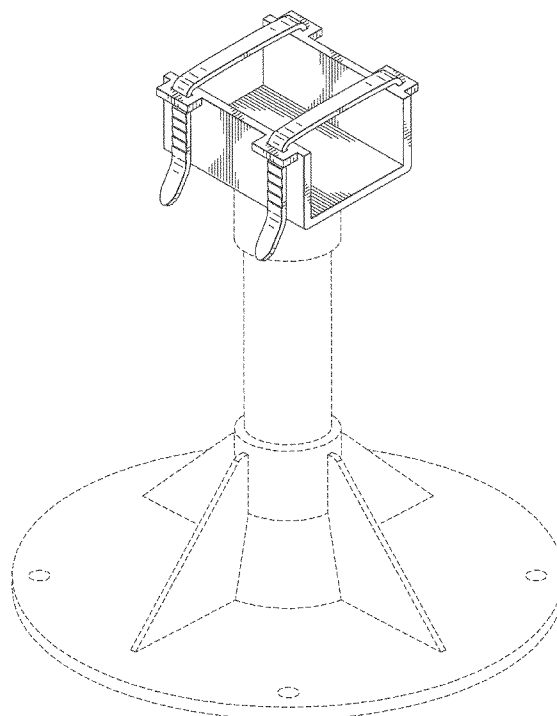
FIG. 2 is a right side view of the pipe support device of FIG. 1;

FIG. 3 is a top plan view of the pipe support device of FIG. 1; and,

FIG. 4 is a bottom plan view of the pipe support device of FIG. 1.

The broken lines in the drawings depict portions of the design and environmental features that form no part of the claimed design.

1 Claim, 4 Drawing Sheets



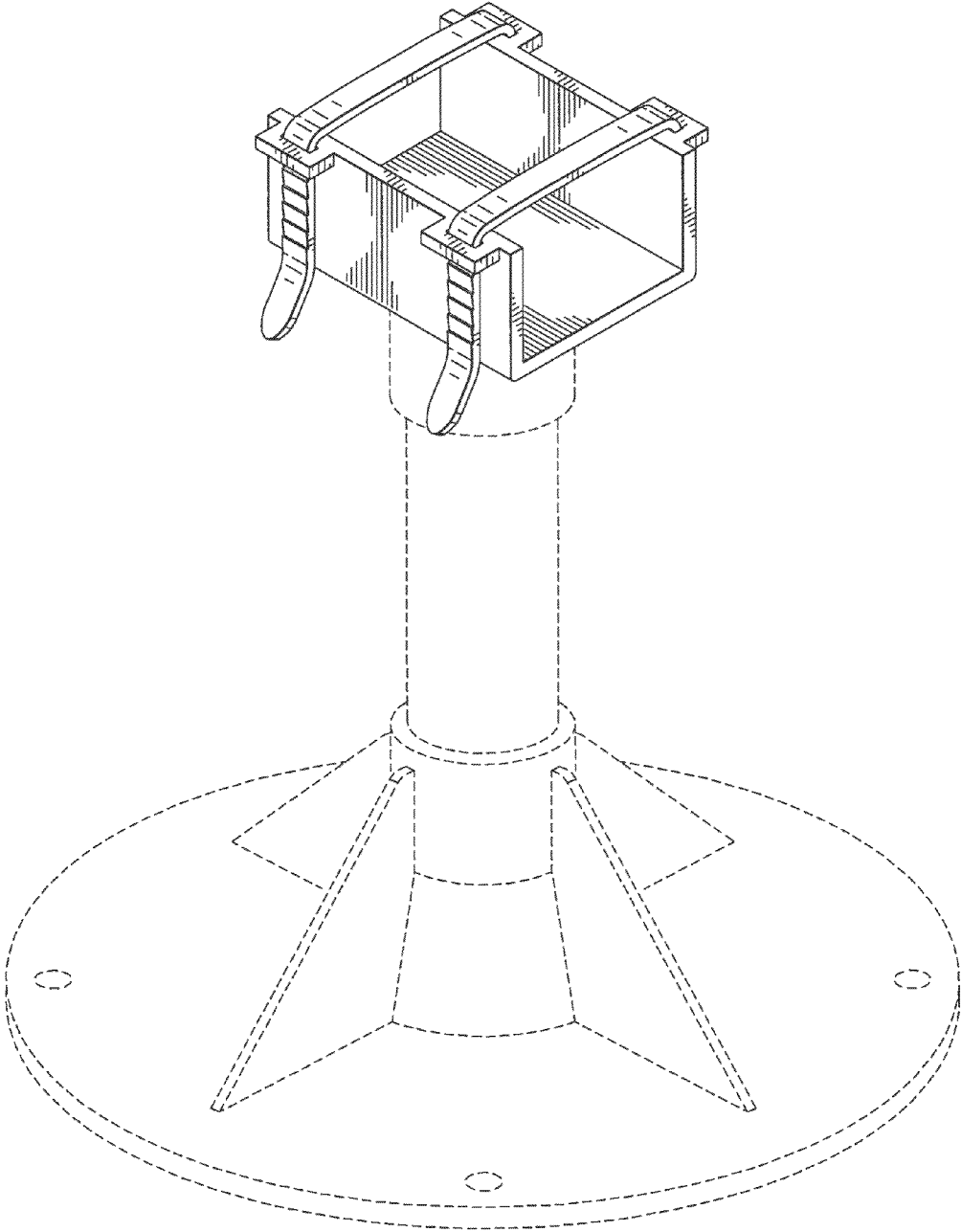


FIG. 1

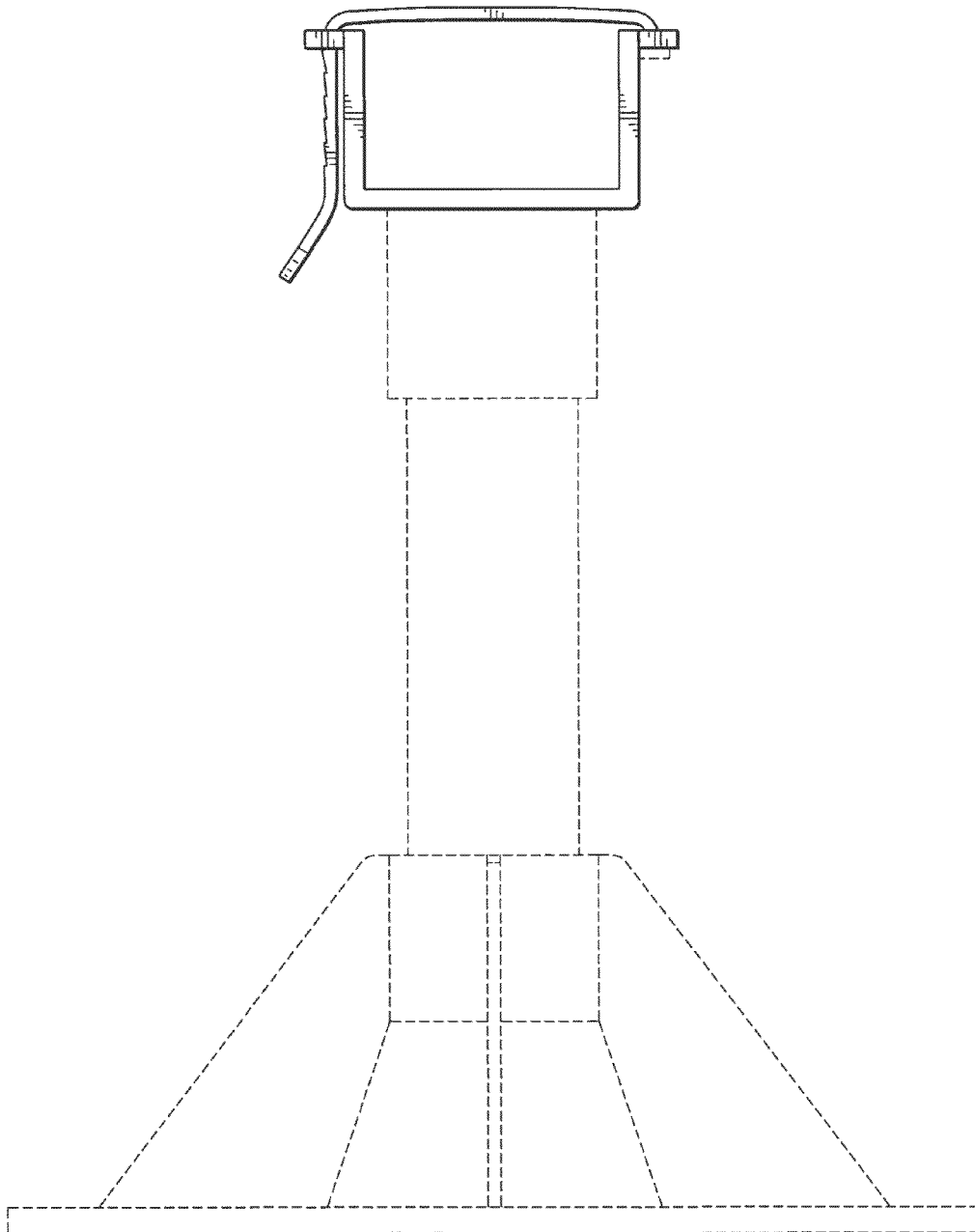


FIG. 2

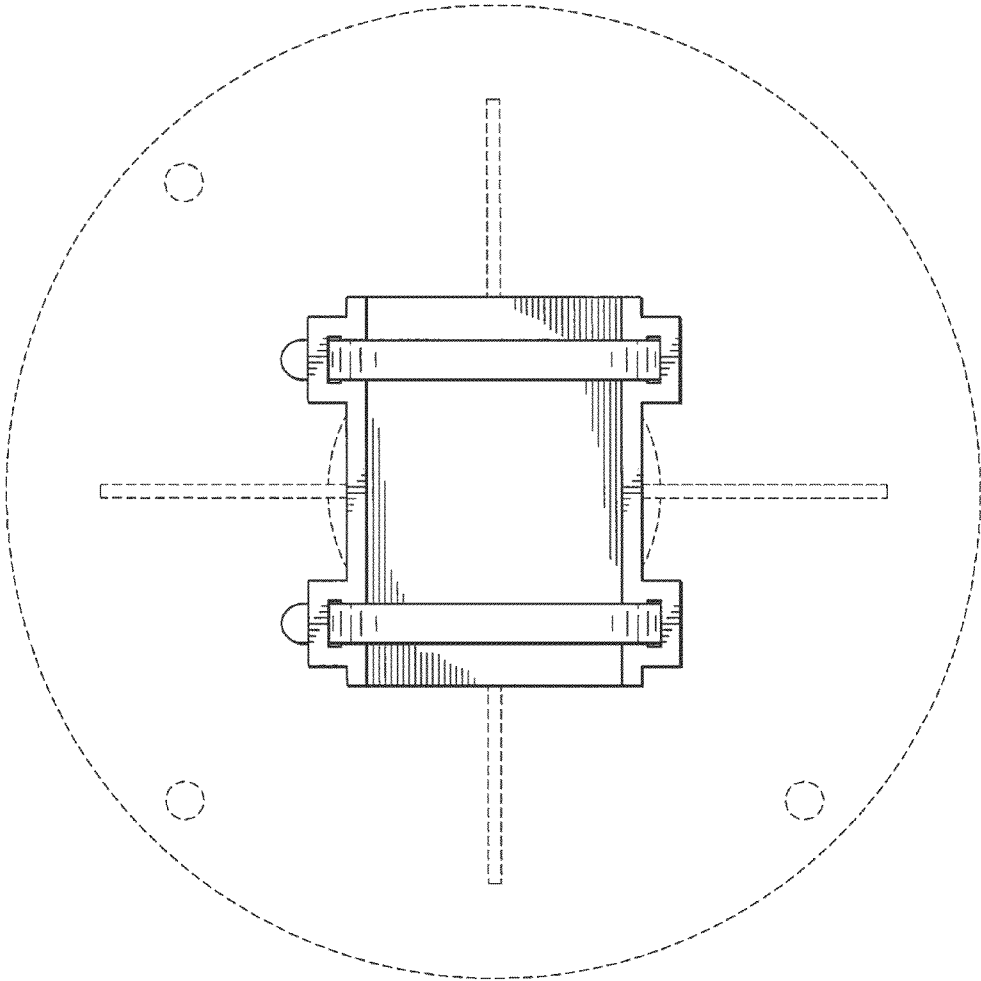


FIG. 3

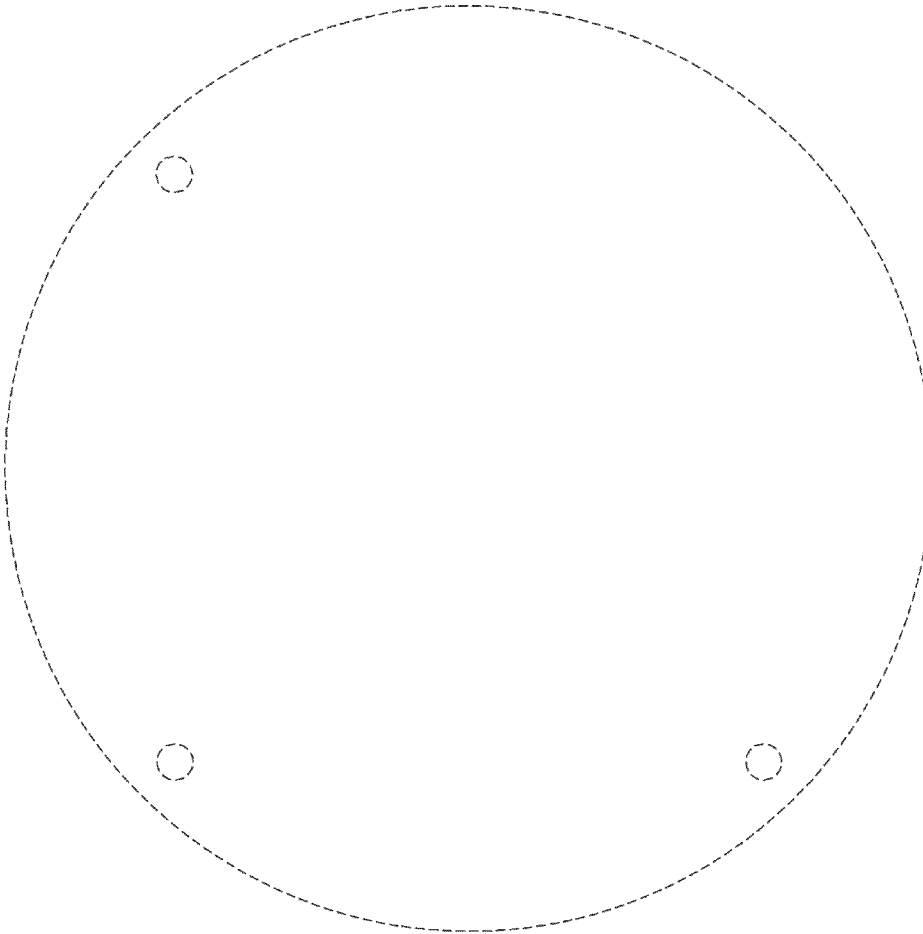


FIG. 4