



(12) **United States Design Patent**
Tivnon et al.

(10) **Patent No.:** **US D831,640 S**
(45) **Date of Patent:** **** Oct. 23, 2018**

(54) **COMPUTER**

A47F 5/00; A47F 7/024; G08B 13/1445;
B60R 11/0235

See application file for complete search history.

(71) Applicant: **HEWLETT-PACKARD
DEVELOPMENT COMPANY, L.P.**,
Houston, TX (US)

(56) **References Cited**

U.S. PATENT DOCUMENTS

(72) Inventors: **Matthew W. Tivnon**, Houston, TX
(US); **Marcus Hoggarth**, London (GB);
Jack Godfrey Wood, London (GB);
Oliver Poyntz, London (GB); **Ian Guy**,
London (GB); **Isaac Teece**, London
(GB); **Stephen De Saulles**, London
(GB)

D252,629	S *	8/1979	Evans, Jr.	D14/133
D434,738	S *	12/2000	Takemasa	D14/133
D460,055	S *	7/2002	Rosen	B60R 11/0235
				D14/126
7,740,214	B2 *	6/2010	Marsilio	A47F 7/024
				248/178.1
7,748,669	B2 *	7/2010	Lu	F16M 11/14
				248/181.1
D645,047	S *	9/2011	Wike	D14/447
D691,989	S *	10/2013	Micallef	D14/239
D728,576	S *	5/2015	David	D14/434
D756,152	S *	5/2016	Schwalbach	D6/677.4
2003/0058372	A1 *	3/2003	Williams	F16M 11/18
				348/836
2011/0047844	A1 *	3/2011	Fawcett	G08B 13/1445
				40/642.02

(73) Assignee: **Hewlett-Packard Development
Company, L.P.**, Houston, TX (US)

(**) Term: **15 Years**

* cited by examiner

(21) Appl. No.: **29/609,356**

Primary Examiner — Freda S Nunn

(22) Filed: **Jun. 29, 2017**

(74) *Attorney, Agent, or Firm* — Foley & Lardner LLP

(51) **LOC (11) Cl.** **14-02**

(52) **U.S. Cl.**

(57) **CLAIM**

USPC **D14/314**; D14/371

We claim the ornamental design for a computer, as shown and described.

(58) **Field of Classification Search**

DESCRIPTION

USPC D14/371–376, 125–129, 336, 337, 447,

D14/448, 451; D6/300, 308, 329, 641,

D6/642, 682, 708, 708.17; D19/113, 114;

D20/10

CPC G09F 15/0025; G09F 15/0062; G09F

15/0068; G06F 1/16; G06F 1/1613; G06F

1/133308; G06F 1/1601; G06F 3/037;

G06F 1/162; F16M 11/02; F16M 11/10;

F16M 11/00; F16M 11/06; F16M 11/14;

F16M 11/18; F16M 11/045; F16M

11/105; F16M 11/041; F16M 11/126;

F16M 11/04; F16M 11/24; F16M 13/02;

FIG. 1 is a perspective view of the claimed design;

FIG. 2 is a front elevational view thereof;

FIG. 3 is a rear elevational view thereof;

FIG. 4 is a right side elevational view thereof;

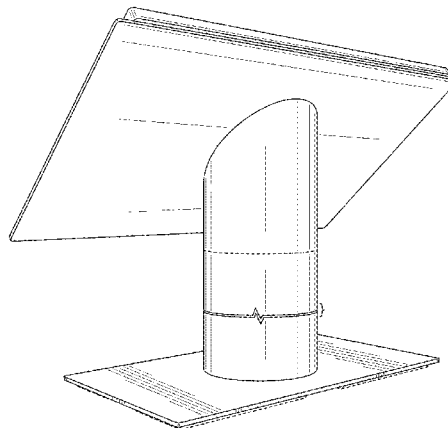
FIG. 5 is a left side elevational view thereof;

FIG. 6 is a top plan view thereof; and,

FIG. 7 is a bottom plan view thereof.

The broken lines shown in the drawings form no part of the claimed design. Further, the broken away lines in the drawings indicate an indeterminate length, and the portion of the

(Continued)



computer that may be visible between the broken away lines
forms no part of the claimed design.

1 Claim, 6 Drawing Sheets

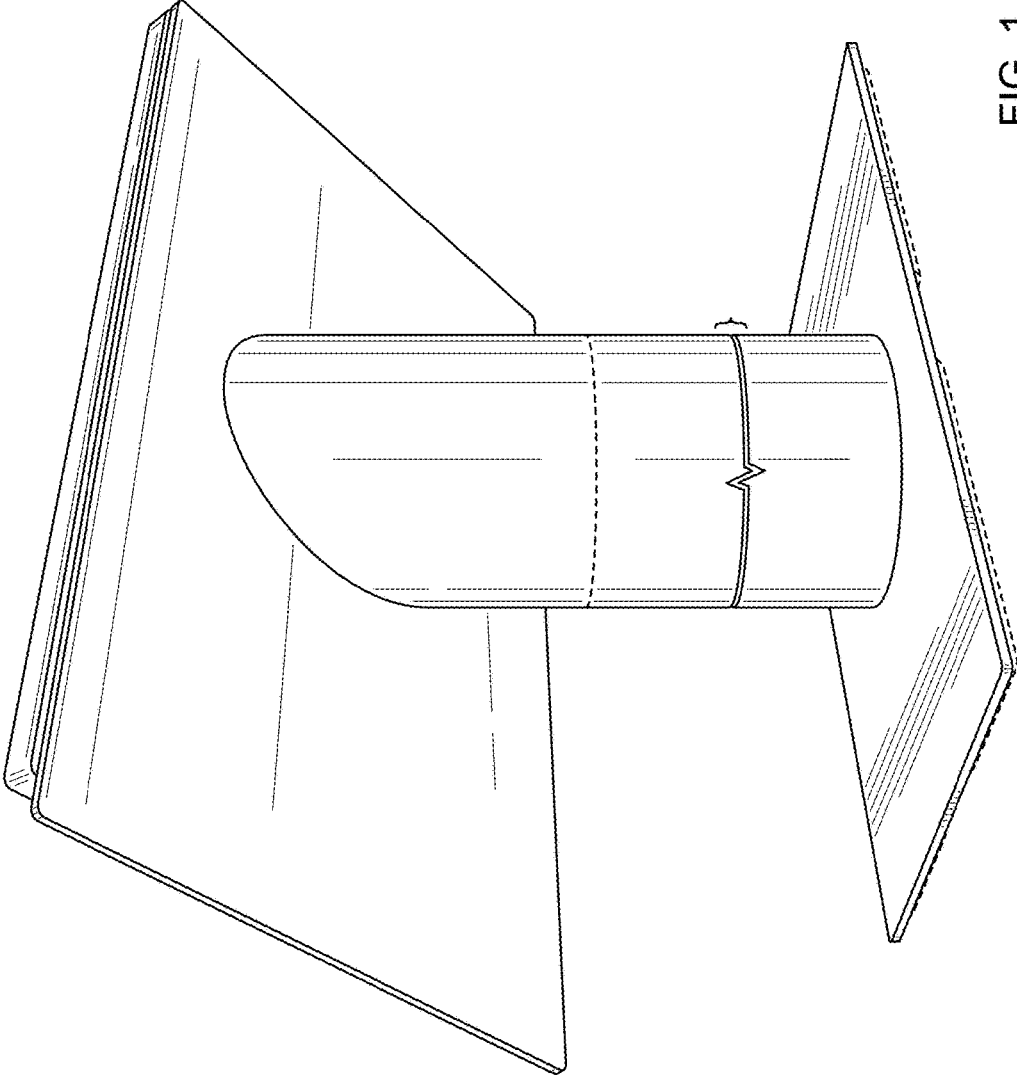


FIG. 1

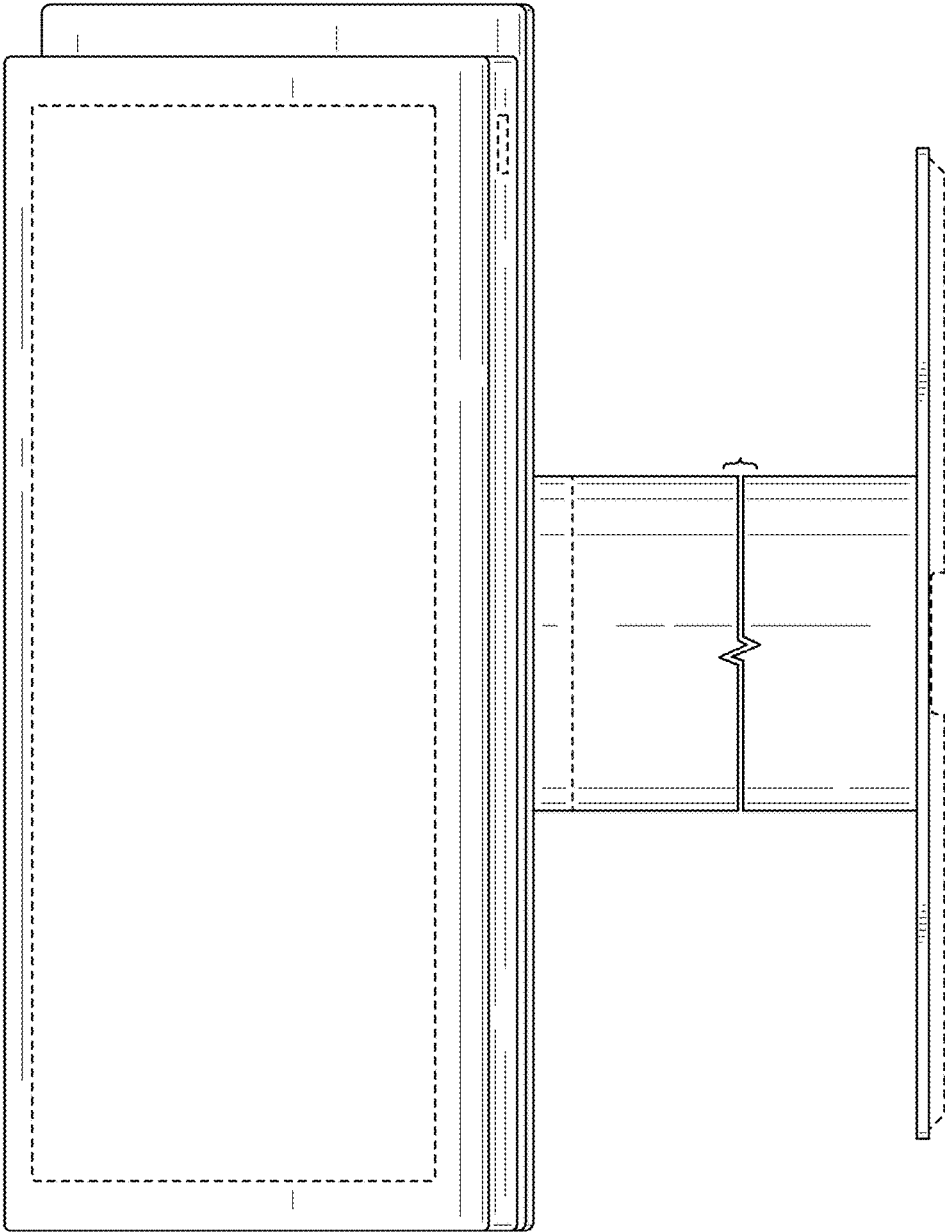


FIG. 2

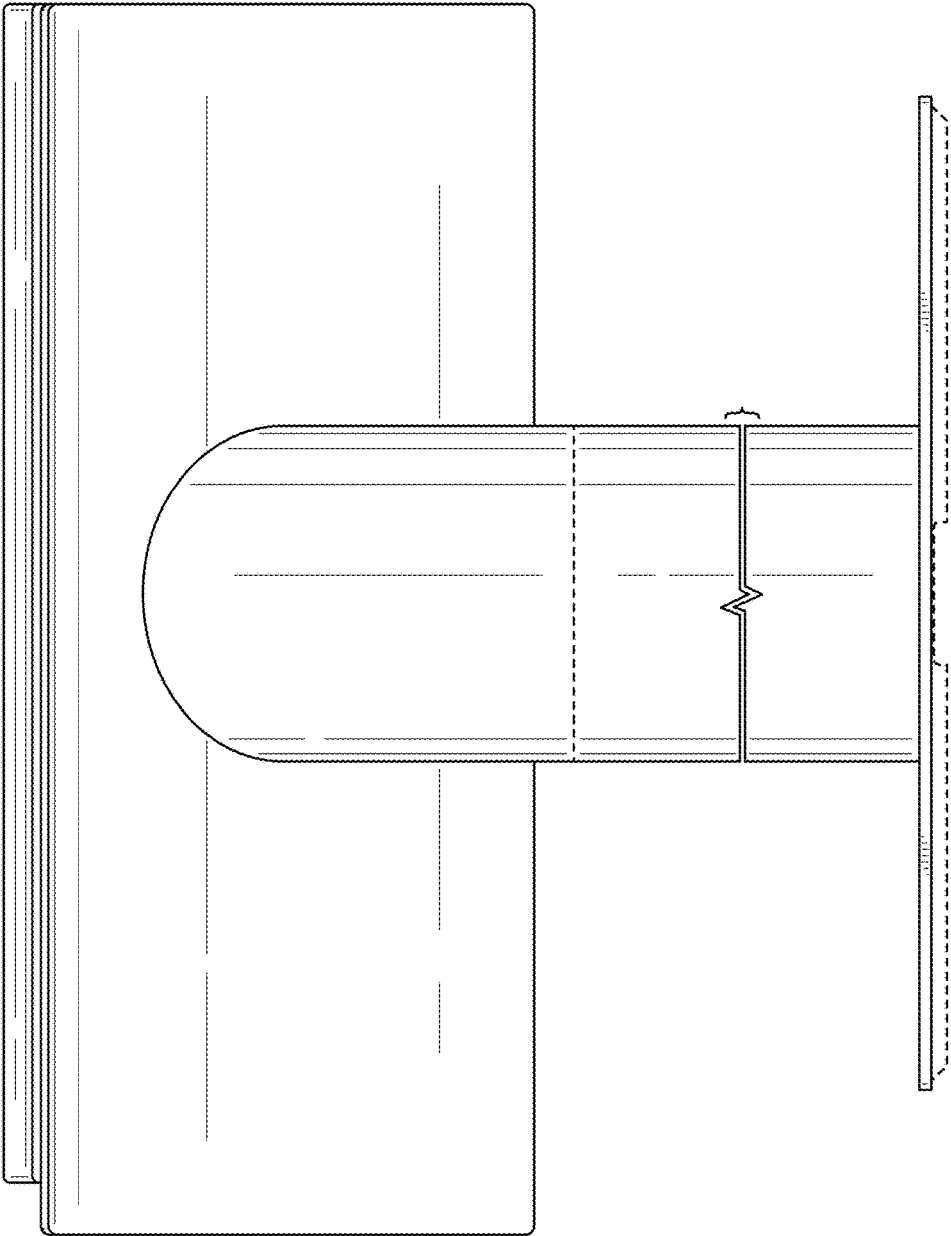


FIG. 3

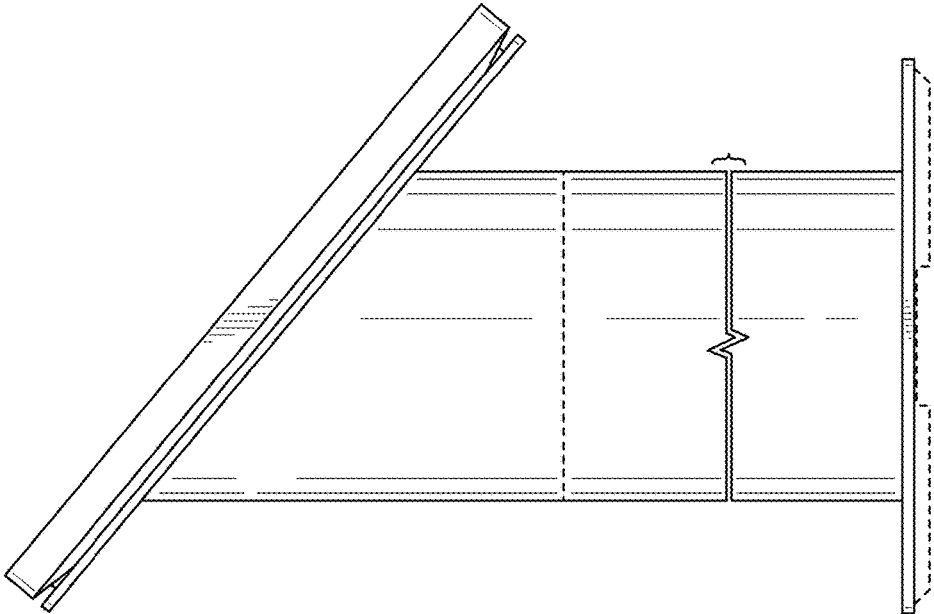


FIG. 5

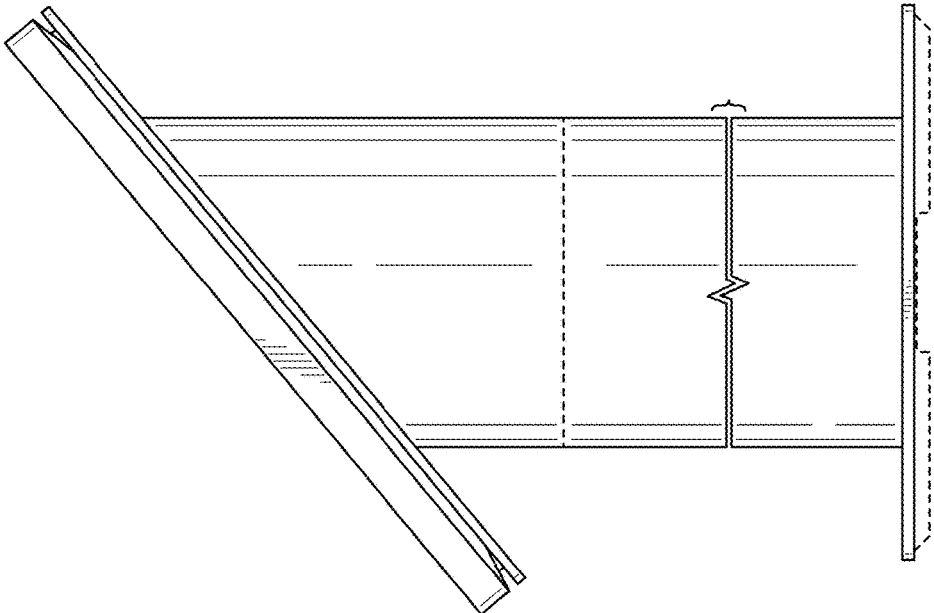


FIG. 4

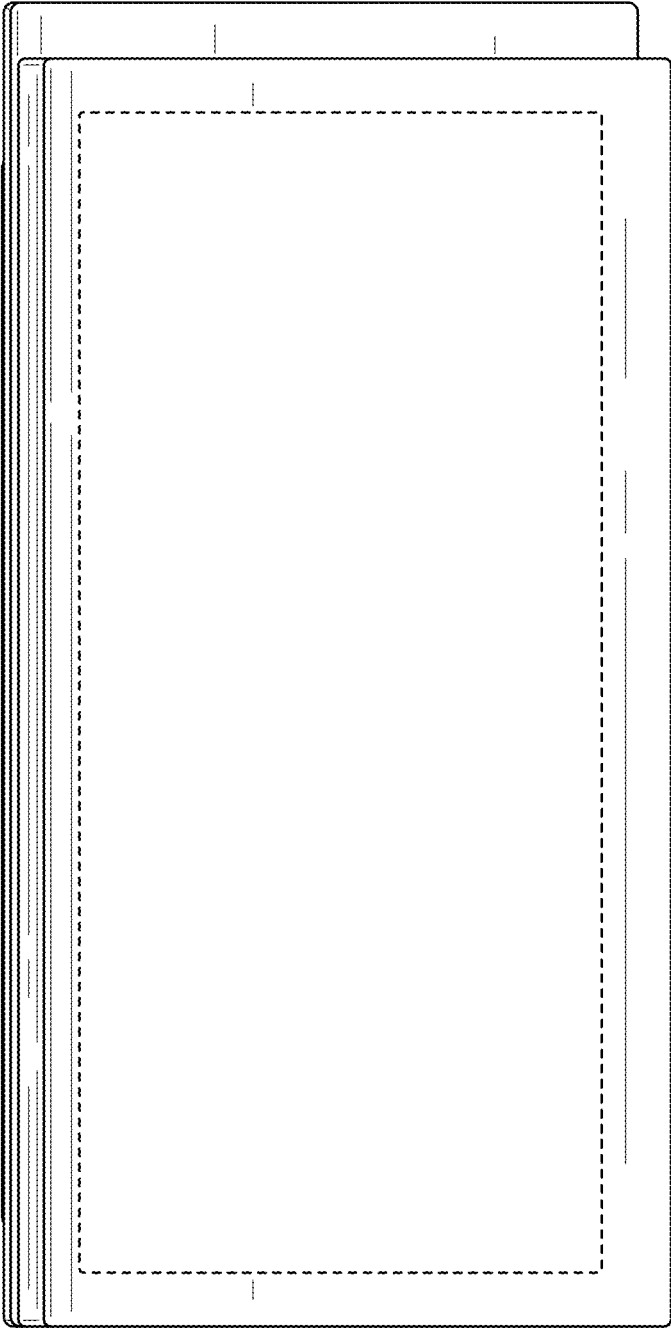


FIG. 6

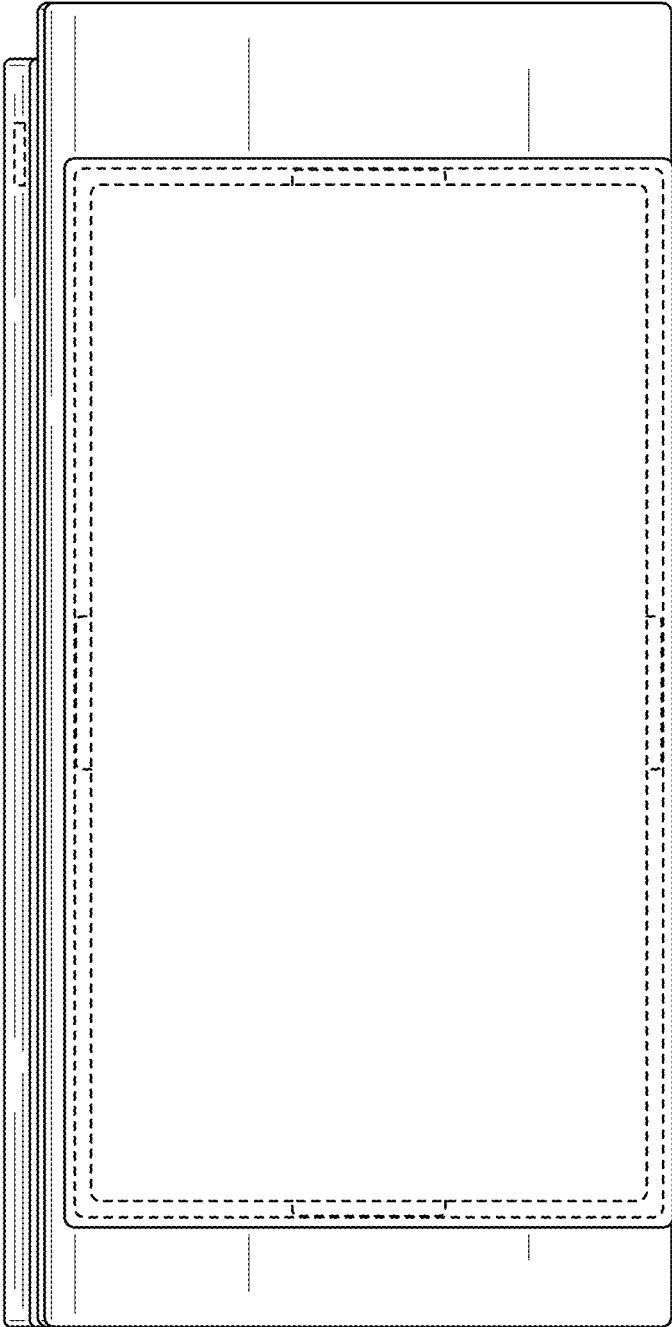


FIG. 7