

(19) World Intellectual Property Organization
International Bureau



(43) International Publication Date
26 July 2007 (26.07.2007)

PCT

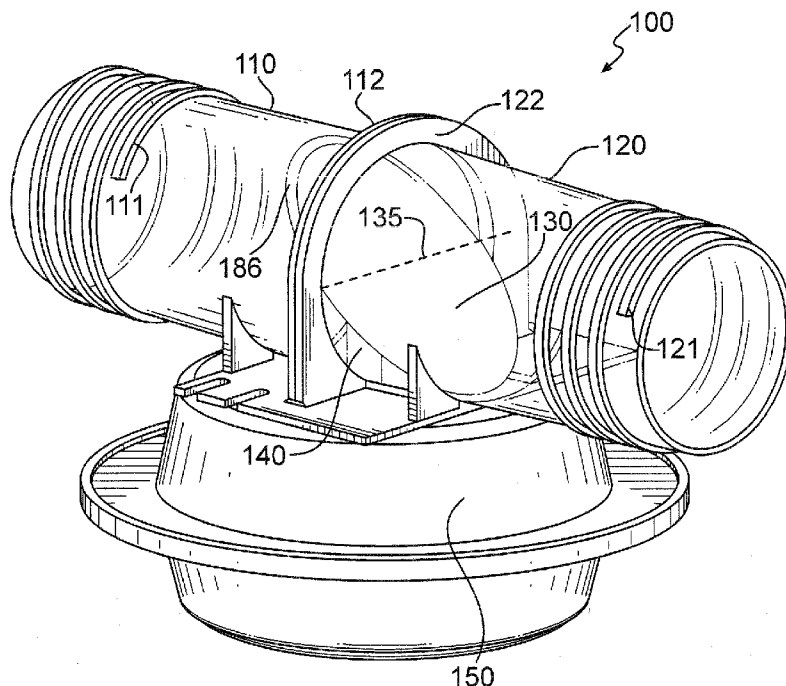
(10) International Publication Number
WO 2007/083282 A3

- (51) International Patent Classification:
F24F 13/00 (2006.01)
- (21) International Application Number:
PCT/IB2007/050177
- (22) International Filing Date: 18 January 2007 (18.01.2007)
- (25) Filing Language: English
- (26) Publication Language: English
- (30) Priority Data:
11/336,386 20 January 2006 (20.01.2006) US
11/463,491 9 August 2006 (09.08.2006) US
- (71) Applicant (for all designated States except US): ARZEL ZONING TECHNOLOGY, INC. [US/US]; 4801 Commerce Parkway, Cleveland, O 44128 (US).
- (72) Inventors; and
- (75) Inventors/Applicants (for US only): VOTAW, Mark, A. [US/US]; 1116 Valleydell Drive NW, North Canton, OH 44720 (US). RAMUNNI, Joseph [US/US]; 30 Fixler Road, Wadsworth, OH 44281 (US). DELP, Thomas [US/US]; 96 Chatham Drive, Aurora, OH 44202 (US). LAUGHLIN, Dennis [US/US]; 11066 Wilson Mills Road, Chardon, OH 44024 (US). ZELCZER, AI [US/US]; 4498 Churchill Boulevard, University Heights, OH 44118 (US).

- ROTH, Leonard [US/US]; 14450 Summerfield Road, University Heights, OH 44118 (US). SIPERSHTEYN, Vladimir [US/US]; 7336 Forestwood Drive, Independence, OH 44131 (US). AVRUSCHENKO, Alexander [US/US]; 10157 Anchorage Cove, Reminderville, OH 44202 (US).
- (74) Agents: MUZILLA, David et al.; Hahn Loeser & Parks, LLP, One GOJO Plaza, Suite 300, Akron, OH 44311-1076 (US).
- (81) Designated States (unless otherwise indicated, for every kind of national protection available): AE, AG, AL, AM, AT, AU, AZ, BA, BB, BG, BR, BW, BY, BZ, CA, CH, CN, CO, CR, CU, CZ, DE, DK, DM, DZ, EC, EE, EG, ES, FI, GB, GD, GE, GH, GM, GT, HN, HR, HU, ID, IL, IN, IS, JP, KE, KG, KM, KN, KP, KR, KZ, LA, LC, LK, LR, LS, LT, LU, LV, LY, MA, MD, MG, MK, MN, MW, MX, MY, MZ, NA, NG, NI, NO, NZ, OM, PG, PH, PL, PT, RO, RS, RU, SC, SD, SE, SG, SK, SL, SM, SV, SY, TJ, TM, TN, TR, TT, TZ, UA, UG, US, UZ, VC, VN, ZA, ZM, ZW.
- (84) Designated States (unless otherwise indicated, for every kind of regional protection available): ARIPO (BW, GH, GM, KE, LS, MW, MZ, NA, SD, SL, SZ, TZ, UG, ZM, ZW), Eurasian (AM, AZ, BY, KG, KZ, MD, RU, TJ, TM),

[Continued on next page]

(54) Title: SMALL DUCT HIGH VELOCITY DAMPER ASSEMBLY



(57) Abstract: A small duct high velocity (SDHV) damper assembly. The SDHV damper assembly includes a generally tubular damper housing having first and second ends, wherein each of the first and second ends is adapted for insertion into associated high velocity ductwork respectively. A damper blade or an expandable damper member is situated within the damper housing to restrict flow in the damper housing in a controlled manner.

WO 2007/083282 A3



European (AT, BE, BG, CH, CY, CZ, DE, DK, EE, ES, FI, FR, GB, GR, HU, IE, IS, IT, LT, LU, LV, MC, NL, PL, PT, RO, SE, SI, SK, TR), OAPI (BF, BJ, CF, CG, CI, CM, GA, GN, GQ, GW, ML, MR, NE, SN, TD, TG).

(88) Date of publication of the international search report:
23 April 2009

Published:

— *with international search report*

INTERNATIONAL SEARCH REPORT

International application No.
PCT/IB2007/050177

A. CLASSIFICATION OF SUBJECT MATTER
 IPC(8) - F24F 13/00 (2008.04)
 USPC - 454/333
 According to International Patent Classification (IPC) or to both national classification and IPC

B. FIELDS SEARCHED
 Minimum documentation searched (classification system followed by classification symbols)
 IPC(8) -F24F 13/00 (2008.04)
 USPC -454/333, 236/60

Documentation searched other than minimum documentation to the extent that such documents are included in the fields searched

Electronic data base consulted during the international search (name of data base and, where practicable, search terms used)
 Google Patent, MicroPatent, IP.com, westlaw

C. DOCUMENTS CONSIDERED TO BE RELEVANT

Category*	Citation of document, with indication, where appropriate, of the relevant passages	Relevant to claim No.
X	US 3,552,712 (WHITLOCK) 05 January 1971 (05.01.1971) entire document	1-10,13,14,17,18,32
Y		11,12,15,16,19,20
Y	US 2,598,207(BAILEY) 27 May 1952 (27.05.1957) entire document	15,16
Y	US 2,972,464 (JONES et al) 30 September 1957 (30.08.1957) entire document	12,20-30,31
Y	US 3,945,565 (LYNCH et al) 23 March 1976 (23.03.1976) entire document	21,22-30,31
Y	US 5,806,830 (ALVAREZ) 15 September 1998 (15.08.1998) entire document	11,19,22
Y	US 5,979,872 (STEARNS et al) 09 November 1999 (09.11.1999) entire document	23-24

Further documents are listed in the continuation of Box C.

* Special categories of cited documents:	"T" later document published after the international filing date or priority date and not in conflict with the application but cited to understand the principle or theory underlying the invention
"A" document defining the general state of the art which is not considered to be of particular relevance	"X" document of particular relevance; the claimed invention cannot be considered novel or cannot be considered to involve an inventive step when the document is taken alone
"E" earlier application or patent but published on or after the international filing date	"Y" document of particular relevance; the claimed invention cannot be considered to involve an inventive step when the document is combined with one or more other such documents, such combination being obvious to a person skilled in the art
"L" document which may throw doubts on priority claim(s) or which is cited to establish the publication date of another citation or other special reason (as specified)	"&" document member of the same patent family
"O" document referring to an oral disclosure, use, exhibition or other means	
"P" document published prior to the international filing date but later than the priority date claimed	

Date of the actual completion of the international search 11 November 2008	Date of mailing of the international search report 27 NOV 2008
Name and mailing address of the ISA/US Mail Stop PCT, Attn: ISA/US, Commissioner for Patents P.O. Box 1450, Alexandria, Virginia 22313-1450 Facsimile No. 571-273-3201	Authorized officer: Blaine R. Copenheaver PCT Helpdesk: 571-272-4300 PCT OSP: 571-272-7774