



US00D994396S

(12) **United States Design Patent**
Xiao

(10) **Patent No.:** **US D994,396 S**

(45) **Date of Patent:** **** Aug. 8, 2023**

(54) **TOOL CABINET**

D838,527 S 1/2019 Liu
D867,791 S * 11/2019 Birch D6/671
D868,508 S 12/2019 Sprong et al.

(71) Applicant: **Henan Aobado Technology Co., Ltd.**,
Luoyang (CN)

OTHER PUBLICATIONS

(72) Inventor: **Rui Xiao**, Henan Province (CN)

Manhattan, posted at amazon.com, posted on Nov. 13, 2018, site visited Jul. 22, 2022. online, available from internet: <https://www.amazon.com/Manhattan-Comfort-Fortress-Collection-Convenient/dp/B073R4PFYJ/> (Year: 2018).*

(**) Term: **15 Years**

Reemoon 1 drawer, posted at amazon.com, posted on Jul. 15, 2022, site visited Jul. 22, 2022. online, available from internet: <https://www.amazon.com/dp/B0B6N8T1BN/> (Year: 2022).*

(21) Appl. No.: **29/840,457**

Reemoon 3 drawer, posted at amazon.com, posted on Jul. 15, 2022, site visited Jul. 22, 2022. online, available from internet: <https://www.amazon.com/dp/B0B6NLMXNQ/> (Year: 2022).*

(22) Filed: **May 29, 2022**

(51) **LOC (14) Cl.** **06-04**

(52) **U.S. Cl.**

USPC **D6/671.1**

(58) **Field of Classification Search**

USPC D6/657, 658, 663, 664, 671, 671.1,
D6/671.2, 671.3, 671.4, 672, 673, 674,
D6/675, 689

CPC A47B 43/003; A47B 43/04; A47B 55/00;
A47B 61/00; A47B 63/00; A47B 67/02;
A47B 67/04; A47B 87/00; A47B
2210/00; A47B 2220/00

See application file for complete search history.

* cited by examiner

Primary Examiner — Catherine Ho

(74) *Attorney, Agent, or Firm* — Che-Yang Chen; Law
Office of Michael Chen

(56) **References Cited**

(57) **CLAIM**

The ornamental design for a tool cabinet, as shown and described.

U.S. PATENT DOCUMENTS

DESCRIPTION

D113,012 S *	1/1939	Morgan	D6/671.1
D141,014 S *	4/1945	Stanitz	D6/671.1
D141,128 S *	5/1945	Stanitz	D6/671.1
D408,954 S *	4/1999	Geier	D6/657
D440,428 S *	4/2001	Melillo	D6/671
D454,262 S *	3/2002	Chu	D6/671.1
D526,143 S *	8/2006	Bruce	D6/671.1
D534,370 S *	1/2007	Charnik	D6/671.1
D534,998 S *	1/2007	Charnik	D23/286
D542,056 S *	5/2007	Puente	D6/671
D554,897 S *	11/2007	Mayer	D6/671.1
D566,421 S *	4/2008	Spah	D6/698
D594,674 S *	6/2009	Walker	D6/671.1
D804,863 S *	12/2017	Chen	D6/671

FIG. 1 is a top perspective view of a tool cabinet showing my new design;

FIG. 2 is a bottom perspective view thereof;

FIG. 3 is a front elevational view thereof;

FIG. 4 is a rear elevational view thereof;

FIG. 5 is a left side elevational view thereof;

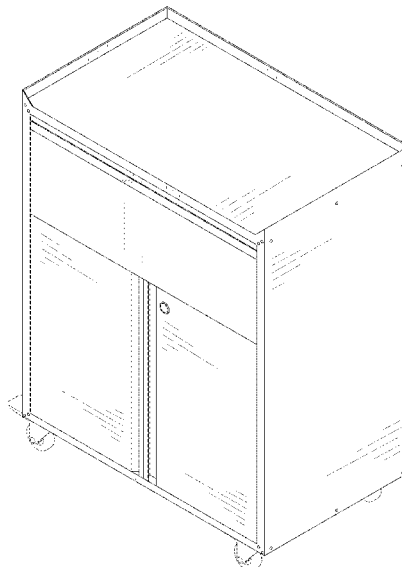
FIG. 6 is a right side elevational view thereof;

FIG. 7 is a top plan view thereof; and,

FIG. 8 is a bottom plan view thereof.

The broken lines show portions of the article that forms no part of the claimed design.

1 Claim, 8 Drawing Sheets



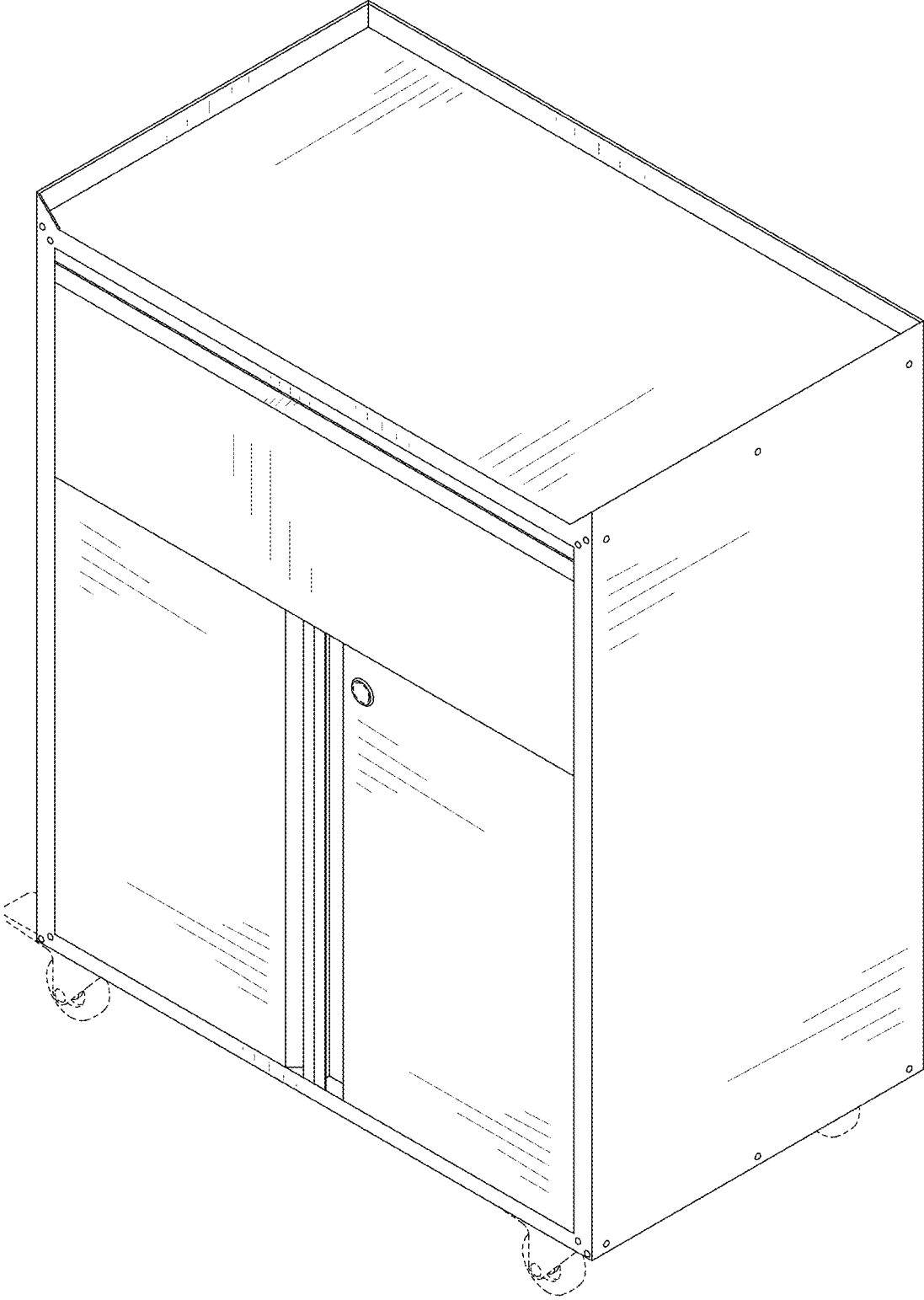


FIG. 1

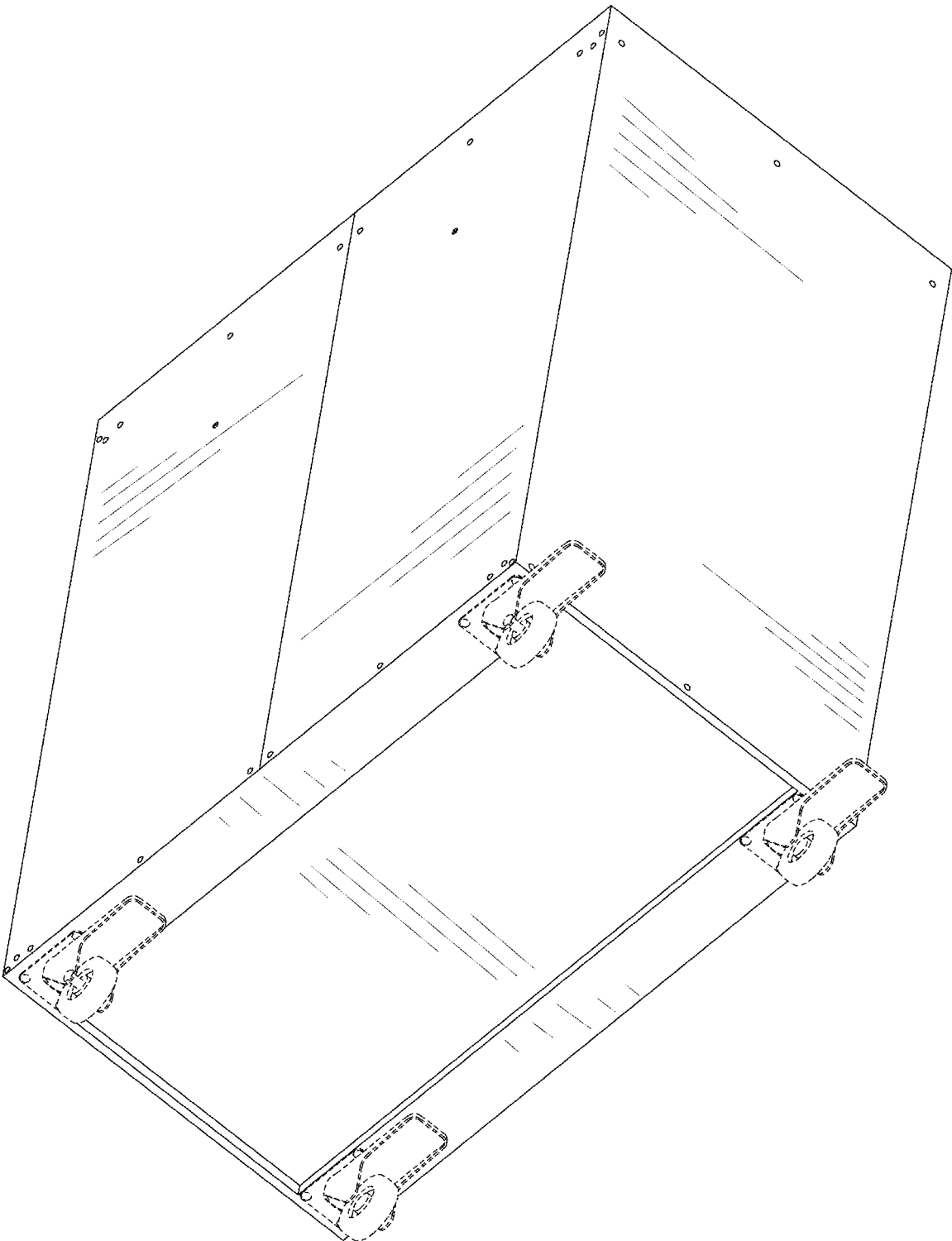


FIG. 2

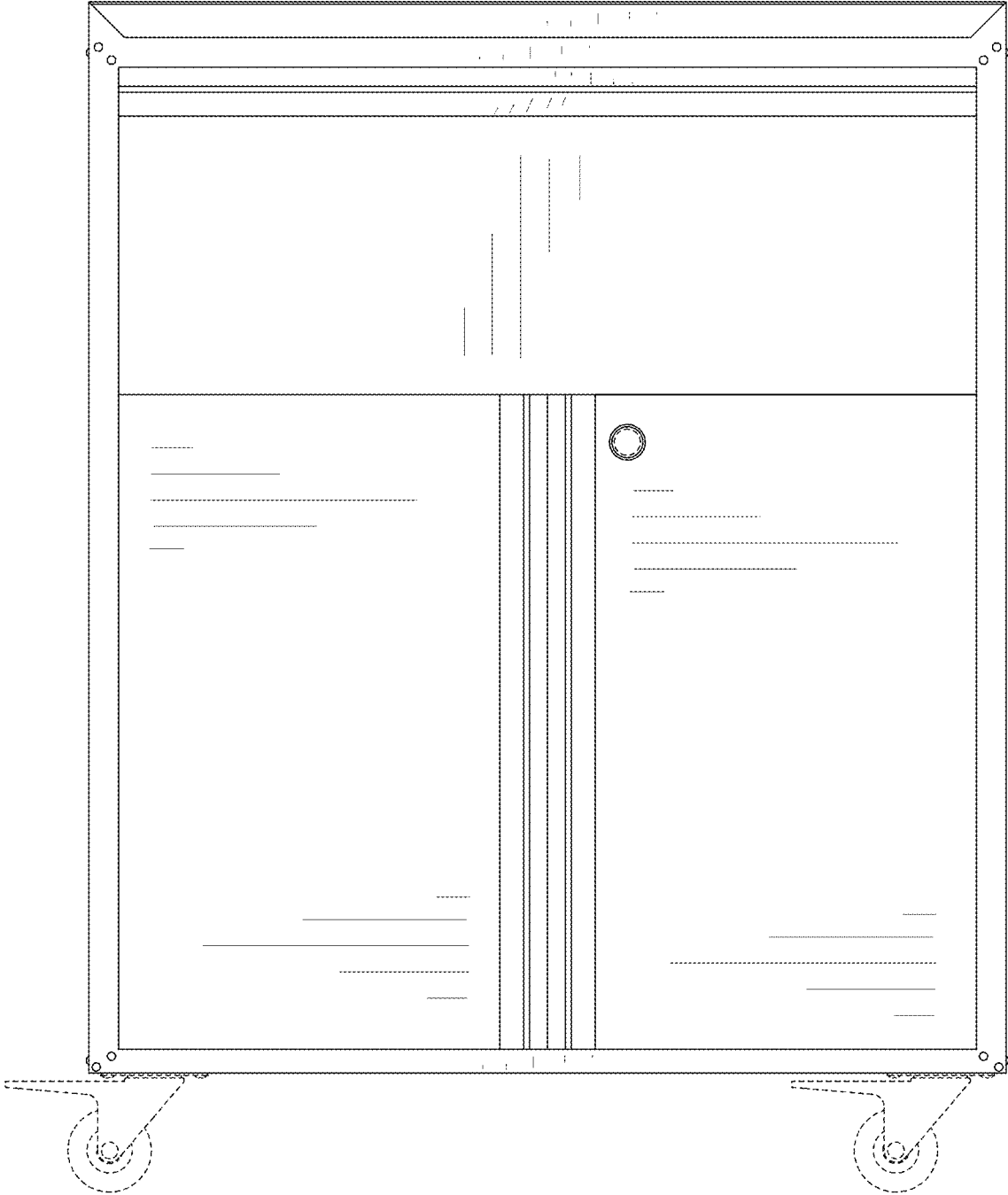


FIG. 3

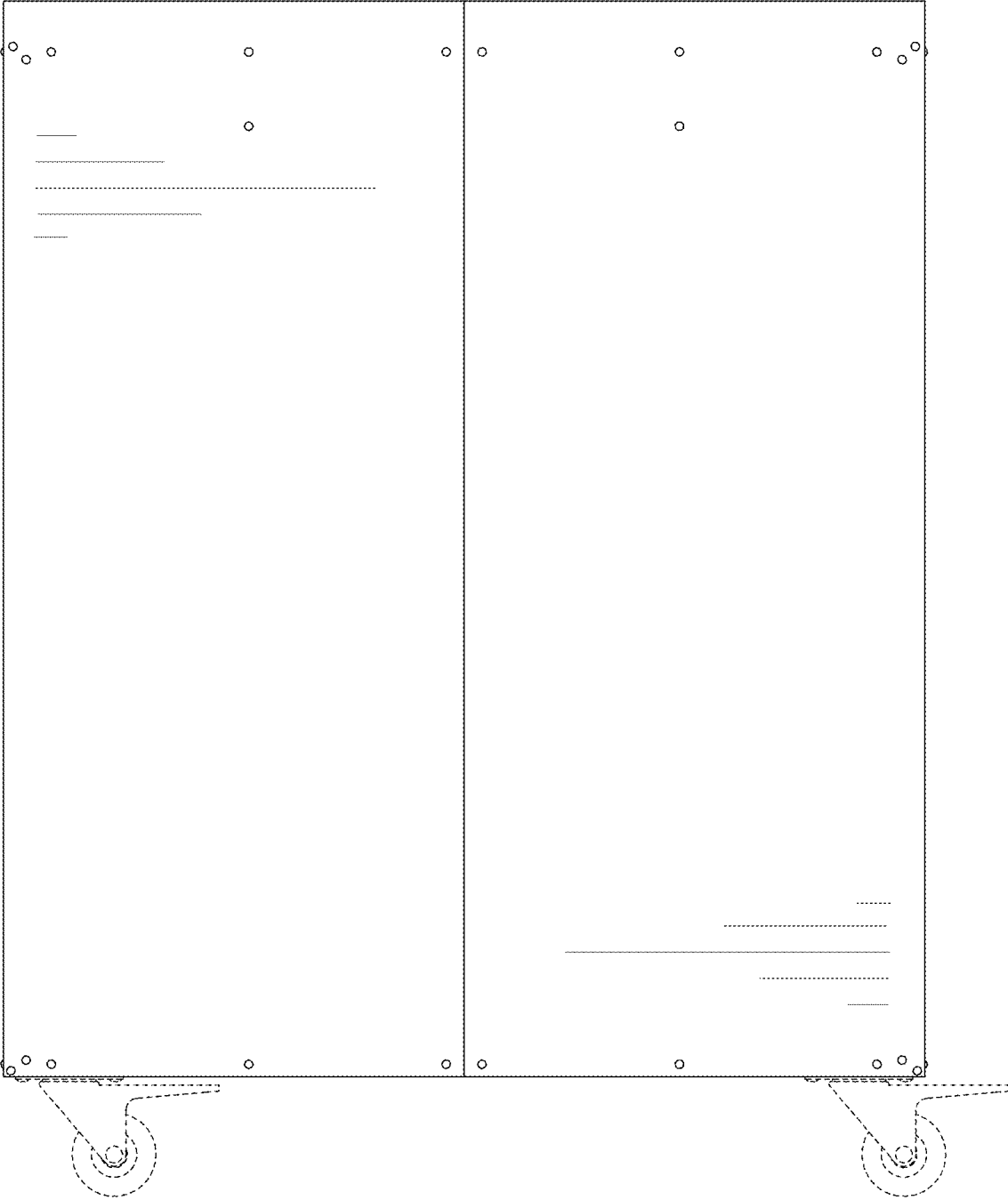


FIG. 4

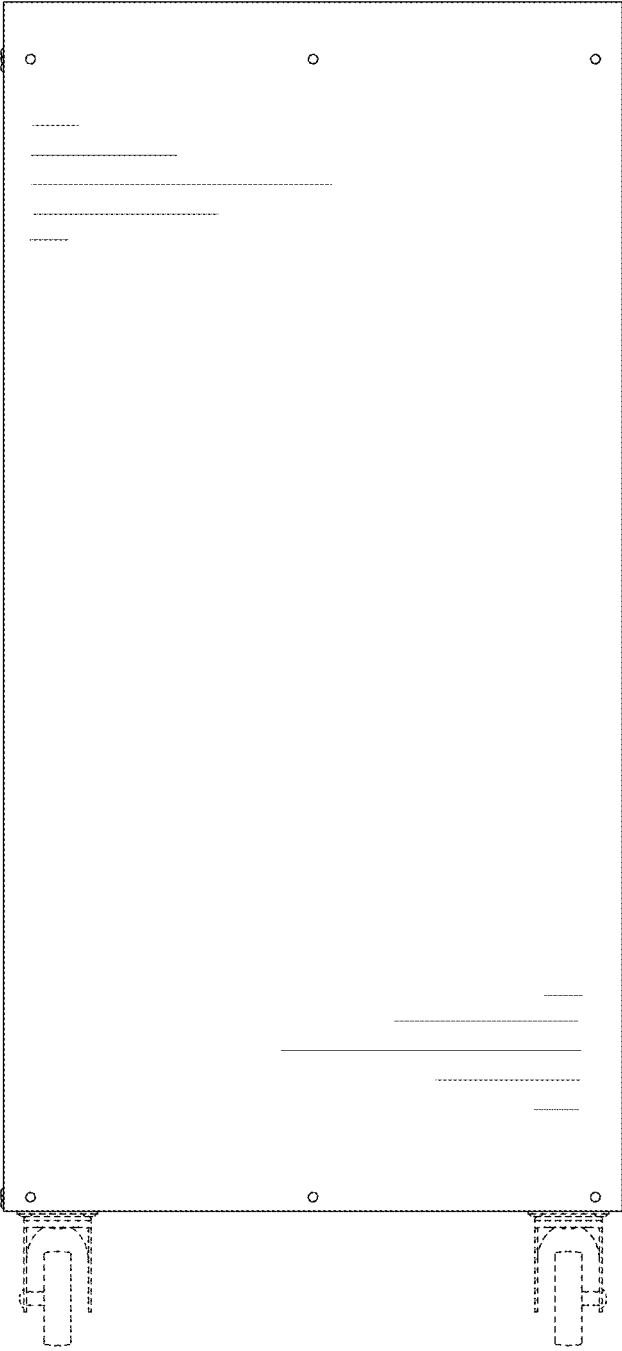


FIG. 5

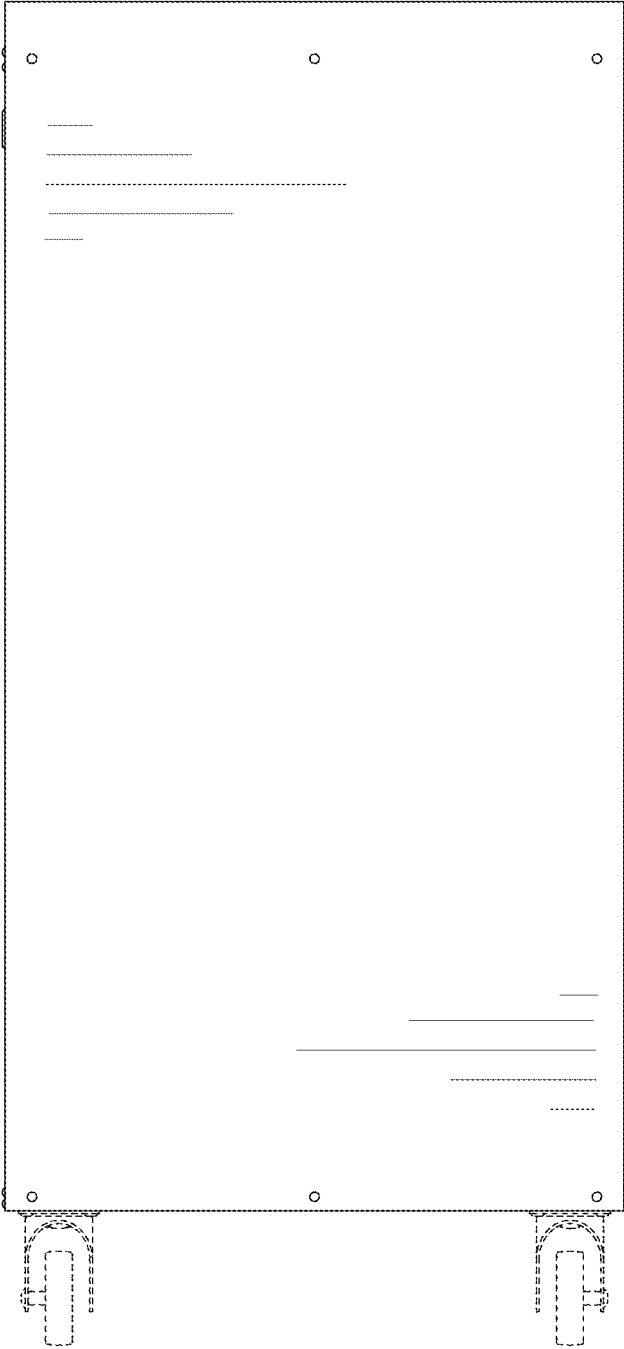


FIG. 6



FIG. 7

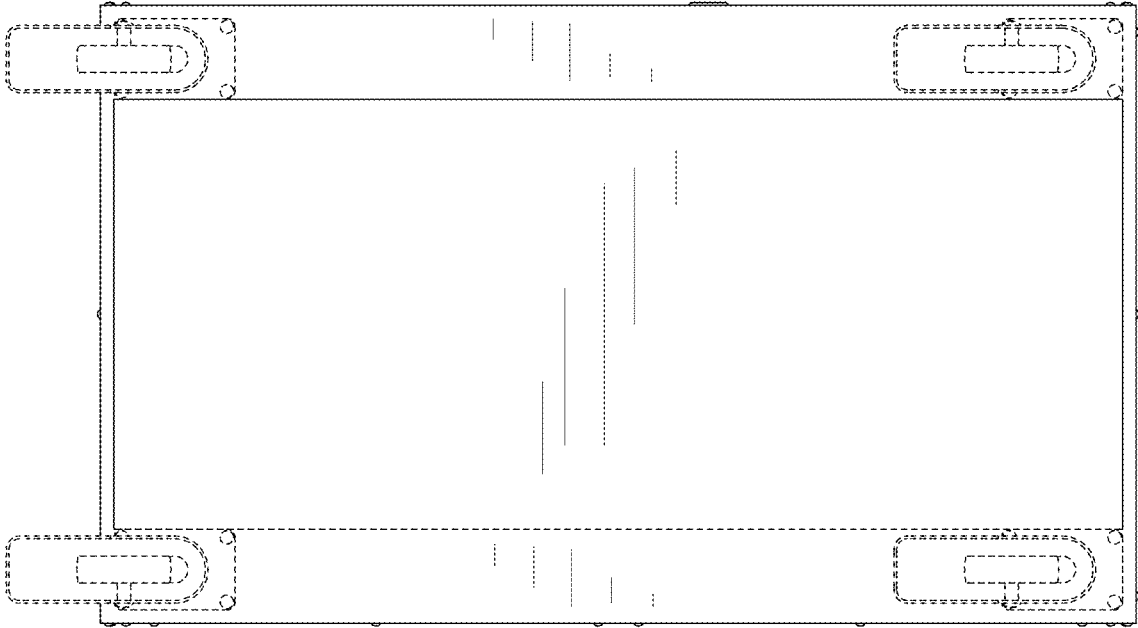


FIG. 8