



US00D759845S

(12) **United States Design Patent**
Marshall

(10) **Patent No.:** **US D759,845 S**

(45) **Date of Patent:** **** Jun. 21, 2016**

(54) **WINDOW COMPONENT EXTRUSION**

D578,665 S * 10/2008 Franson D25/124
D593,686 S * 6/2009 Campbell D25/124
D597,220 S * 7/2009 Campbell D25/124

(71) Applicant: **Chelsea Building Products, Inc.,**
Oakmont, PA (US)

(Continued)

(72) Inventor: **Philip Marshall,** Pittsburgh, PA (US)

OTHER PUBLICATIONS

(73) Assignee: **Chelsea Building Products, Inc.,**
Oakmont, PA (US)

[Online] PVC 60mm Casement, Huarui Plastic, published on Dec. 6, 2013. Acquired on Mar. 14, 2016. Web URL:<"http://www.hhpvc.com/60mm_casement.html">.*

(Continued)

(**) Term: **14 Years**

(21) Appl. No.: **29/524,829**

Primary Examiner — Cynthia Ramirez

Assistant Examiner — Llorellys Martinez-Rivera

(22) Filed: **Apr. 23, 2015**

(74) *Attorney, Agent, or Firm* — Drinker Biddle & Reath LLP

(51) **LOC (10) Cl.** **25-01**

(57) **CLAIM**

(52) **U.S. Cl.**

The ornamental design for a window component extrusion, as shown and described.

USPC **D25/124**

(58) **Field of Classification Search**

DESCRIPTION

USPC D25/119–125; 52/204.1, 204.2, 204.5,
52/204.51, 656.5, 656.6, 213, 215, 208,
52/656.2, 656.7, 800.13, 717.01; D20/42,
D20/43, 44; D34/35

CPC E06B 1/36; E06B 1/702; E06B 1/366;
E06B 1/524; E06B 1/68; E06B 1/04; E06B
1/28; E06B 1/30; E06B 3/305; E06B 3/22;
E06B 3/222; E06B 3/24; E06B 2003/66385

See application file for complete search history.

FIG. 1 is a perspective view of a window component extrusion showing my new design;
FIG. 2 is a right side view of the window component extrusion of FIG. 1;
FIG. 3 is a left side view of the window component extrusion of FIG. 1;
FIG. 4 is a front view of the window component extrusion of FIG. 1;
FIG. 5 is a rear view of the window component extrusion of FIG. 1;
FIG. 6 is a top view of the window component extrusion of FIG. 1; and,
FIG. 7 is a bottom view of the window component extrusion of FIG. 1.

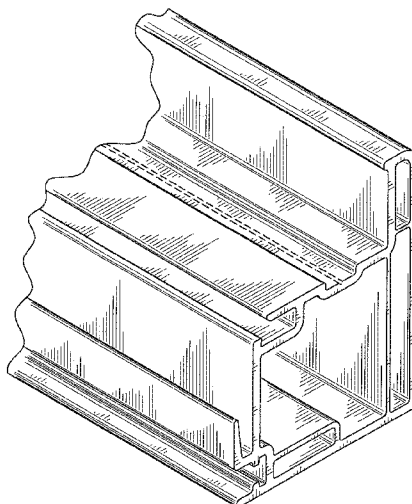
(56) **References Cited**

U.S. PATENT DOCUMENTS

D364,470 S * 11/1995 Goss, Jr. D25/124
D376,210 S * 12/1996 DiGiorgio D25/124
D453,845 S * 2/2002 Scalzoff D25/124
D461,257 S * 8/2002 Ballard D25/124
D461,915 S * 8/2002 Ballard D25/124
D558,362 S * 12/2007 Fannan D25/124
D566,858 S * 4/2008 Fannan D25/124
D576,299 S * 9/2008 Morton D25/124
D576,301 S * 9/2008 Morton D25/124
D576,747 S * 9/2008 Morton D25/124

The broken lines shown in the drawings illustrate environmental subject matter only and form no part of the claimed design. A symbolic break has been shown in the drawings indicating that any portion of the window component extrusion beyond what is shown forms no part of the claimed design.

1 Claim, 4 Drawing Sheets



(56)

References Cited

U.S. PATENT DOCUMENTS

D602,609 S * 10/2009 Lockbeam D25/124
D626,663 S * 11/2010 Stephens D25/124
D627,489 S * 11/2010 Stephens D25/124
D713,555 S 9/2014 Stankay et al.
D713,556 S 9/2014 Stankay
D713,557 S 9/2014 Stankay
D713,559 S * 9/2014 Jenkins D25/124
D716,968 S 11/2014 Stankay
D729,947 S 5/2015 Stankay
D729,948 S 5/2015 Stankay

D731,677 S * 6/2015 Bernier D25/125
D736,957 S * 8/2015 Chaney D25/124
D739,045 S * 9/2015 Campbell D25/124
D740,446 S * 10/2015 Chaney D25/124

OTHER PUBLICATIONS

[Online] Bow / Bay Windows pdf catalogue—p. 14, Google Image Search, earliest date available: Apr. 24, 2015. Web URL:<“http://windowdepotusa.com/files/2015/05/WindowDepot_East2015.pdf”>.*

* cited by examiner

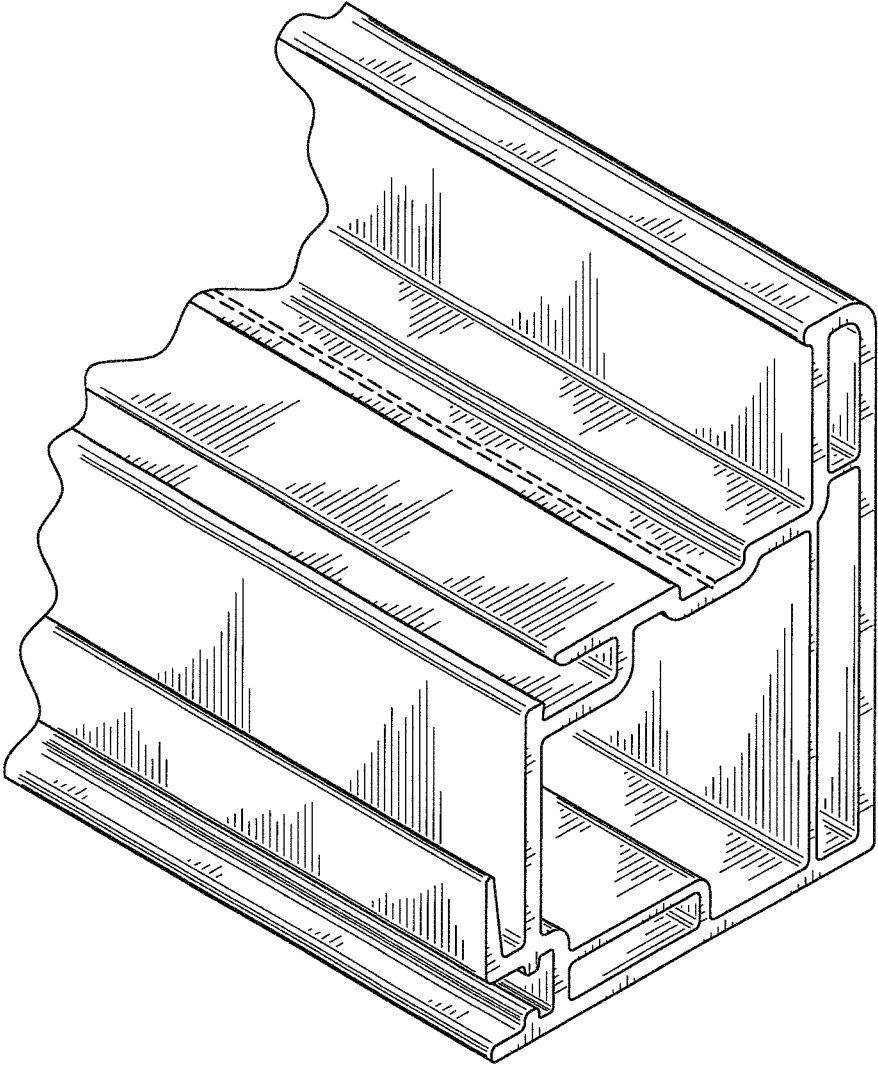


FIG. 1

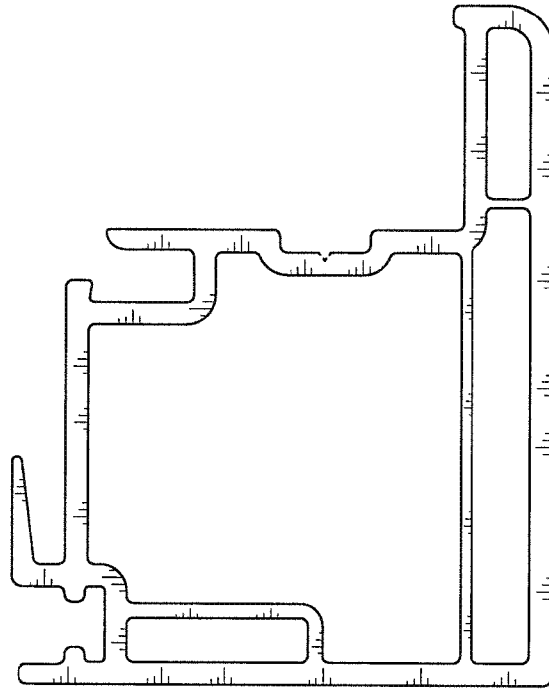


FIG. 2

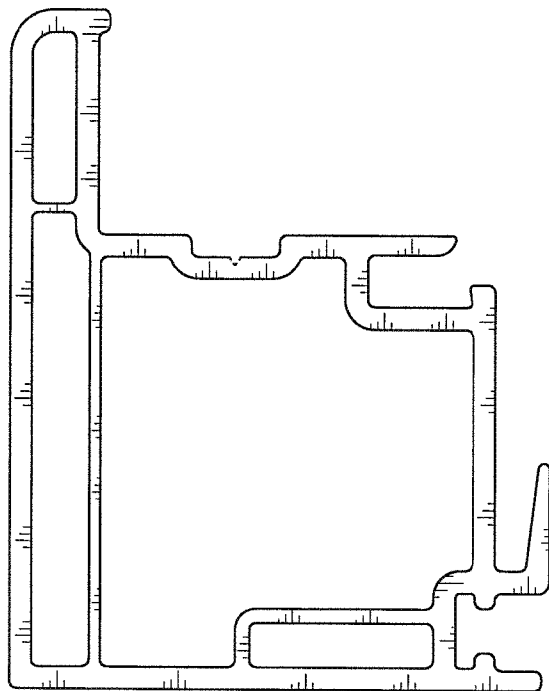


FIG. 3

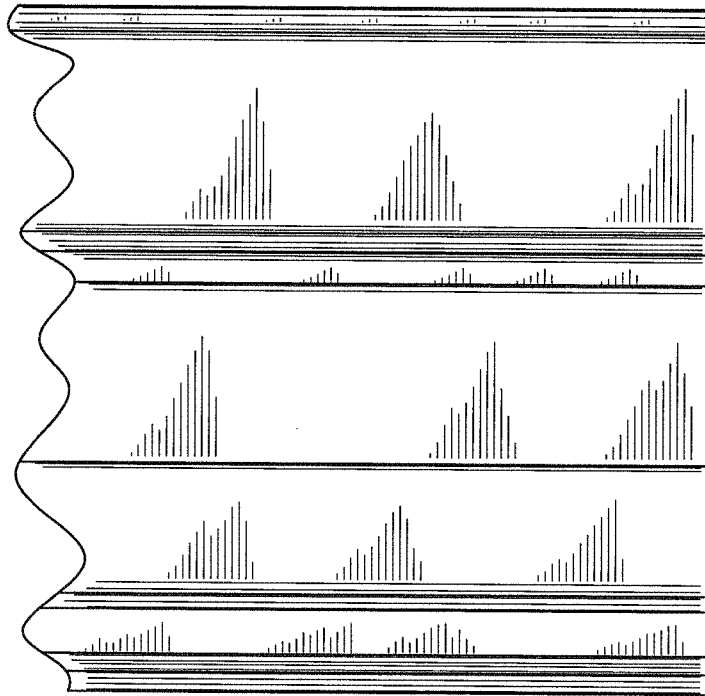


FIG. 4

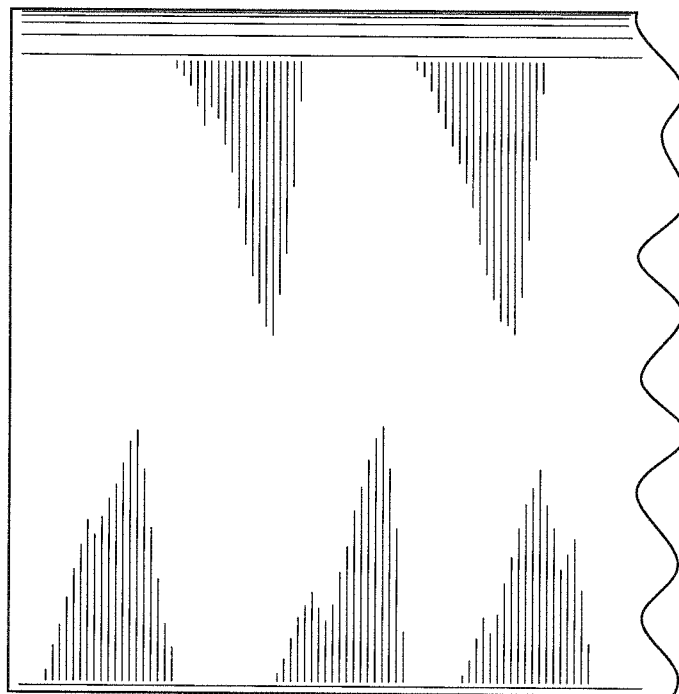


FIG. 5

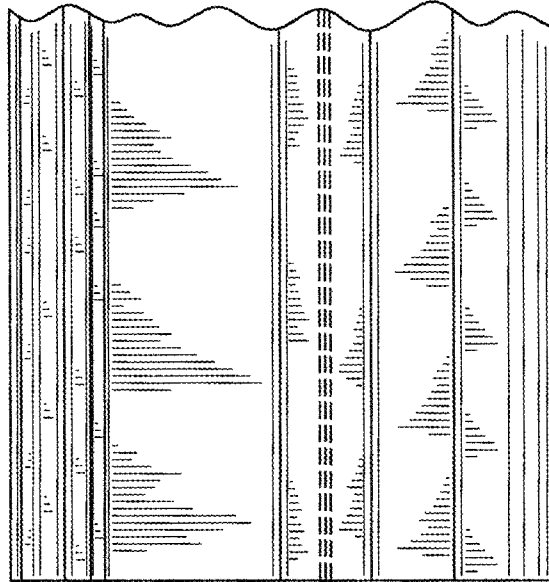


FIG. 6

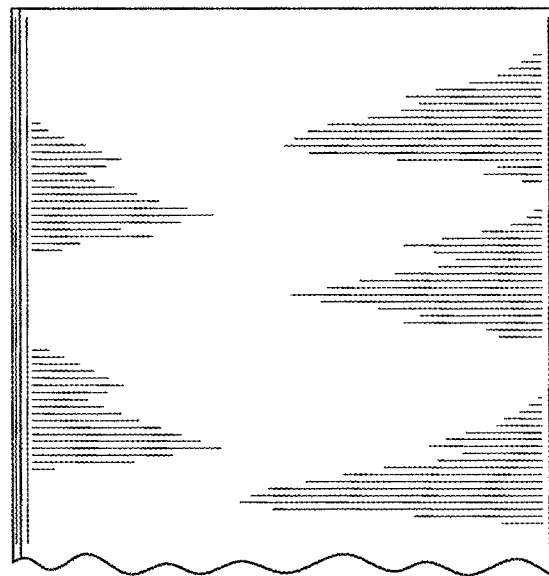


FIG. 7