



US00D520815S

(12) **United States Design Patent**
Scherer

(10) **Patent No.:** **US D520,815 S**

(45) **Date of Patent:** **** May 16, 2006**

(54) **PLATE**

(75) Inventor: **Bernard Scherer**, Luxembourg (LU)

(73) Assignee: **Villeroy & Boch AG**, Mettlach (DE)

(**) Term: **14 Years**

(21) Appl. No.: **29/209,744**

(22) Filed: **Jul. 21, 2004**

(30) **Foreign Application Priority Data**

Jan. 28, 2004 (EM) 000 129 085

(51) **LOC (8) Cl.** **07-01**

(52) **U.S. Cl.** **D7/543; D7/554.2; D7/570;**
D7/584

(58) **Field of Classification Search** **D7/588,**
D7/501, 550.1, 543, 576, 584, 575, 585, 570,
D7/555, 586, 554.2, 544, 545, 554.4, 560,
D7/565; 220/575, 574; 229/400, 406; 206/562,
206/519, 217

See application file for complete search history.

(56) **References Cited**

U.S. PATENT DOCUMENTS

D22,617 S * 7/1893 Havilland D7/570

D23,900 S * 12/1894 Havilland D7/570
D33,911 S * 1/1901 Streiff D7/570
D36,505 S * 8/1903 Havilland D7/570
D37,095 S * 8/1904 Havilland D7/570
D37,893 S * 3/1906 Ahrenfeldt D7/570
1,771,374 A * 7/1930 Burkard 99/430
D291,856 S * 9/1987 Everhan D7/570
D312,754 S * 12/1990 Unger D7/585
D376,292 S * 12/1996 Unger D7/396.5
D378,794 S * 4/1997 Joyce D7/585
D445,684 S * 7/2001 Key D9/447
D476,195 S * 6/2003 Wellner D7/585

* cited by examiner

Primary Examiner—M. N. Pandozzi

(74) *Attorney, Agent, or Firm*—Friedrich Kueffner

(57) **CLAIM**

The ornamental design for a plate, as shown and described.

DESCRIPTION

FIG. 1 is a top view thereof of a plate showing my new design;

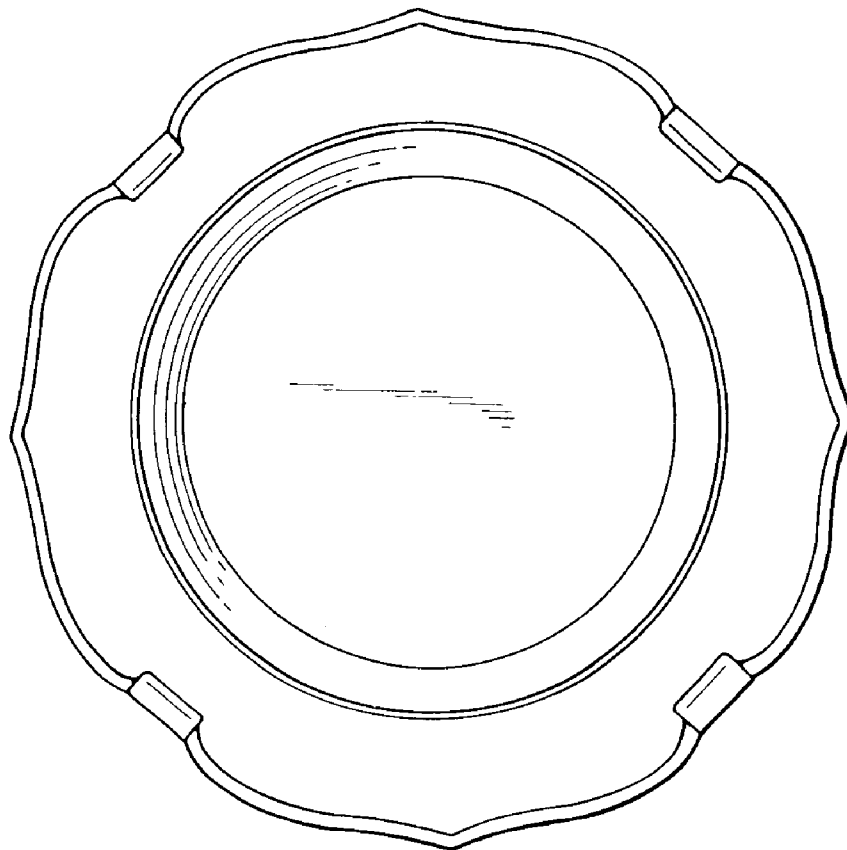
FIG. 2 is a bottom view thereof;

FIG. 3 is a perspective view thereof;

FIG. 4 is a another perspective view thereof; and,

FIG. 5 is a side view thereof.

1 Claim, 1 Drawing Sheet



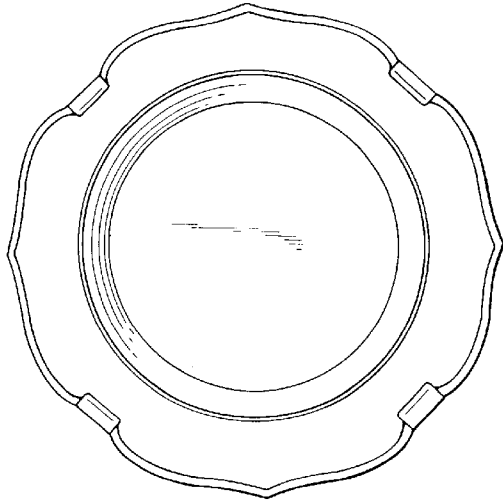


FIG. 1

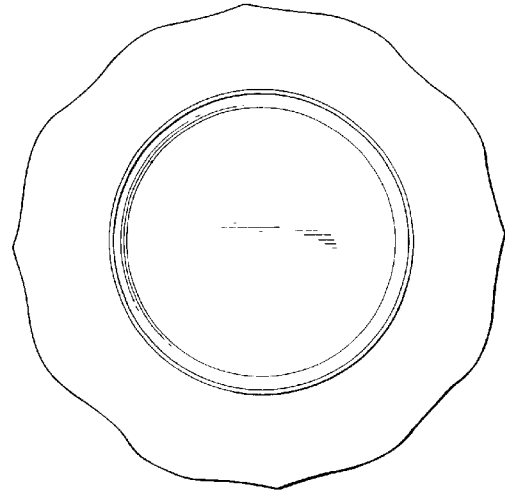


FIG. 2

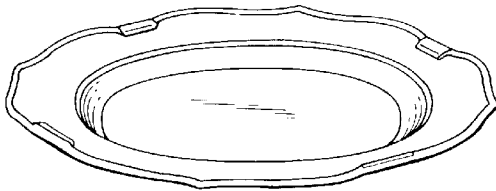


FIG. 3



FIG. 4

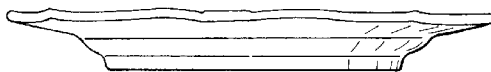


FIG. 5