



US00D799217S

(12) **United States Design Patent** (10) **Patent No.:** **US D799,217 S**  
**Massee** (45) **Date of Patent:** **\*\* Oct. 10, 2017**

(54) **HANDLE FOR ELECTRIC TOOTHBRUSH**

A46D 1/10; A61C 15/048; A61C 17/00;  
A61C 17/16; A61C 17/34; A61C 17/222

See application file for complete search history.

(71) Applicant: **KONINKLIJKE PHILIPS N.V.**,  
Eindhoven (NL)

(72) Inventor: **Bart Johannes Massee**, Kirkland, WA  
(US)

(56) **References Cited**

U.S. PATENT DOCUMENTS

(73) Assignee: **KONINKLIJKE PHILIPS N.V.**,  
Eindhoven (NL)

(\*\*) Term: **15 Years**

D696,023	S	*	12/2013	GebSKI	.....	D4/101
D717,547	S	*	11/2014	Adriaenssen	.....	D4/101
D718,056	S	*	11/2014	Massee	.....	D4/101
D718,057	S	*	11/2014	Massee	.....	D4/101
D719,737	S	*	12/2014	Adriaenssen	.....	D4/101
D752,868	S	*	4/2016	McGarry	.....	D4/101
D759,382	S	*	6/2016	Watkins	.....	D4/101
D765,414	S	*	9/2016	Sosa	.....	D4/101
2013/0091645	A1	*	4/2013	Suwanbutr	.....	A61C 17/26 15/23

(21) Appl. No.: **35/500,740**

(22) Filed: **Sep. 22, 2015**

\* cited by examiner

(80) **Hague Agreement Data**

Int. Filing Date: **Sep. 22, 2015**

Int. Reg. No.: **DM/087731**

Int. Reg. Date: **Sep. 22, 2015**

Int. Reg. Pub. Date: **Mar. 25, 2016**

*Primary Examiner* — Keli L Hill

(74) *Attorney, Agent, or Firm* — Dawn C. Wolff

(30) **Foreign Application Priority Data**

Apr. 29, 2015 (EM) ..... 002691386-0001

(51) **LOC (10) Cl.** ..... **04-02**

(52) **U.S. Cl.** ..... **D4/101**

USPC ..... **D4/101**

(58) **Field of Classification Search**

USPC ..... D4/100-102, 104-113, 127, 128;  
D24/152, 176; 15/167.1-167.2;  
32/308-311

CPC .. A45D 44/18; A46B 5/0095; A46B 15/0055;  
A46B 15/0071; A46B 15/0081; A46B  
15/0087; A46B 17/04; A46B 2200/1066;

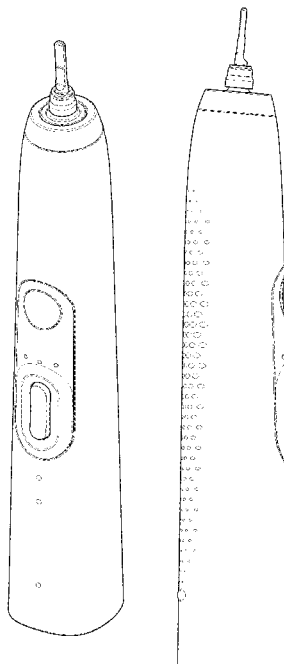
(57) **CLAIM**

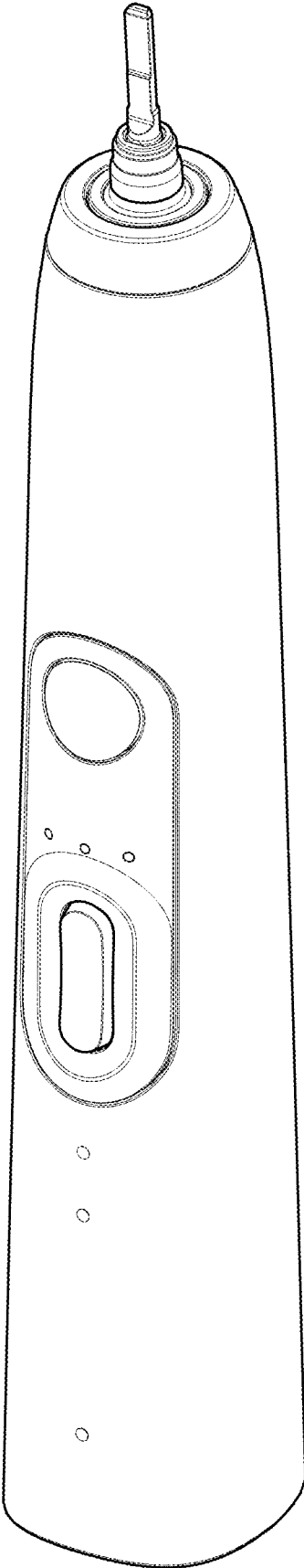
The ornamental design for a handle for electric toothbrush,  
as shown and described.

**DESCRIPTION**

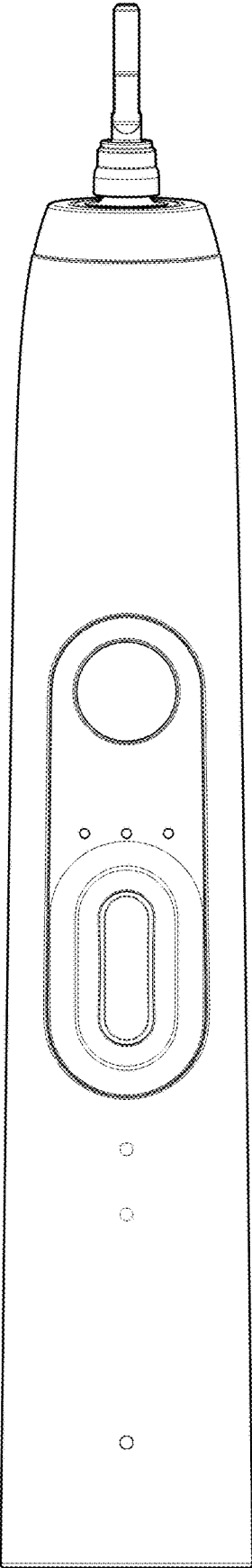
- 1. Handle for electric toothbrush
- 1.1 is a perspective view of a handle for electric toothbrush.
- 1.2 is a front elevation view.
- 1.3 is a rear elevation view.
- 1.4 is a right side elevation view.
- 1.5 is a left side elevation view.
- 1.6 is a top plan view.
- 1.7 is a bottom plan view.

**1 Claim, 7 Drawing Sheets**

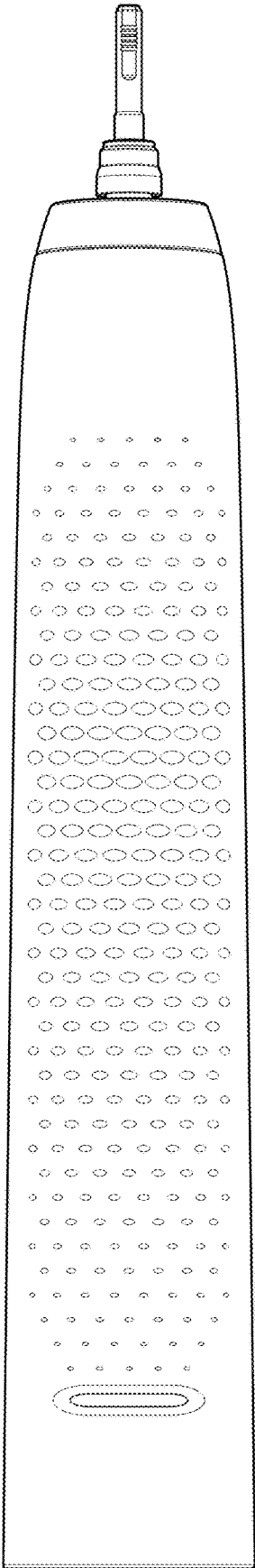




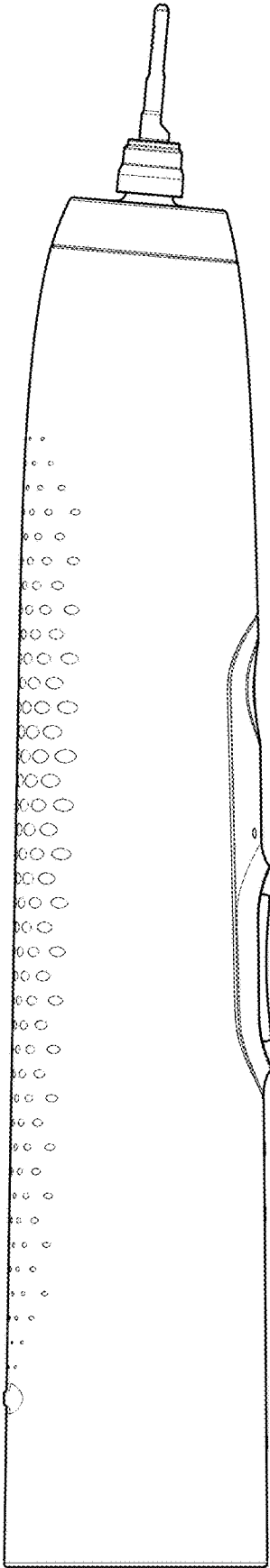
1.1



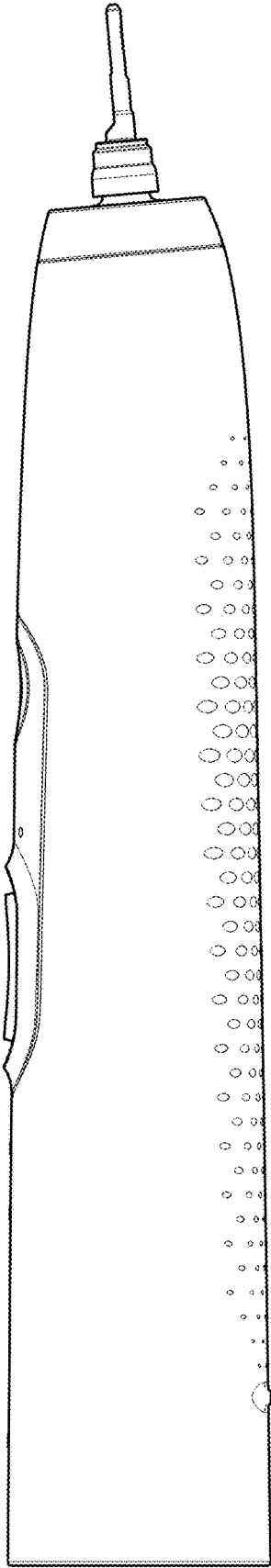
1.2



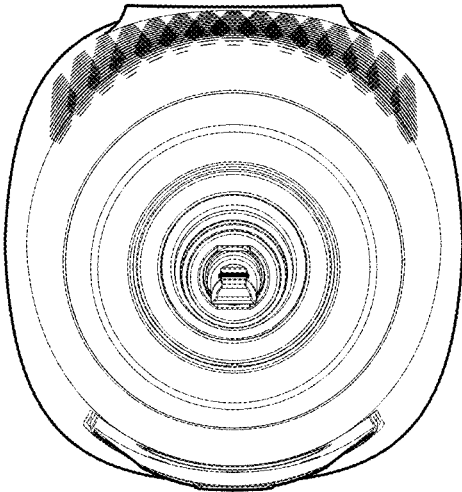
1.3



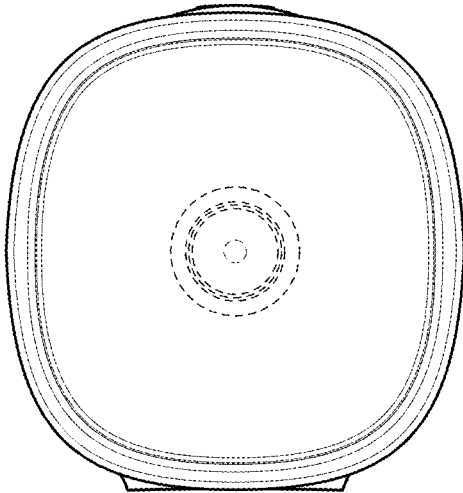
1.4



1.5



1.6



1.7