



US00D861617S

(12) **United States Design Patent**
Seiffert

(10) **Patent No.:** **US D861,617 S**

(45) **Date of Patent:** **** Oct. 1, 2019**

- (54) **ELECTRICAL CONNECTOR**
- (71) Applicant: **eucrea HEXAGON Holding GmbH**,
Sternenfels (DE)
- (72) Inventor: **Florian Seiffert**, Wiesbaden (DE)
- (73) Assignee: **eucrea HEXAGON Holding GmbH**,
Sternenfels (DE)
- (**) Term: **15 Years**
- (21) Appl. No.: **29/592,836**
- (22) Filed: **Feb. 2, 2017**

D340,029 S *	10/1993	Takizawa	D13/133
5,571,023 A *	11/1996	Anthony	H02G 3/14 220/242
D453,736 S *	2/2002	Shimojyo	D13/147
D474,450 S *	5/2003	Godfrey	D13/154
D486,127 S *	2/2004	Donofrio	D13/168
D575,237 S *	8/2008	Shiga	D13/133
D580,866 S *	11/2008	Vitito	D13/146
D675,573 S *	2/2013	Farris-Gilbert	D13/147
D691,949 S *	10/2013	Torma	D13/133
D734,264 S *	7/2015	Jordan	D13/133
D735,140 S *	7/2015	Liao	D13/147
D776,059 S *	1/2017	Kim	D13/147
D789,298 S *	6/2017	Dobler	D13/133
2011/0065305 A1 *	3/2011	Amit	B60L 11/005 439/368
2015/0079829 A1 *	3/2015	Brodsgaard	H01R 24/84 439/284

(30) **Foreign Application Priority Data**

Aug. 2, 2016 (EM) 003327378-0001

- (51) **LOC (12) Cl.** **13-03**
- (52) **U.S. Cl.**
USPC **D13/146**

- (58) **Field of Classification Search**
USPC D13/110, 118, 123, 133, 146, 147, 154,
D13/156, 173, 177, 184, 199
CPC . H01R 9/00; H01R 9/03; H01R 12/00; H01R
12/58; H01R 12/585; H01R 12/72; H01R
13/00; H01R 13/05; H01R 13/436; H01R
13/516; H01R 13/60; H01R 13/62; H01R
13/6471; H01R 13/648; H01R 13/658;
H01R 13/6597

See application file for complete search history.

(56) **References Cited**

U.S. PATENT DOCUMENTS

3,129,993 A *	4/1964	Ross	H01R 13/64 439/294
D316,399 S *	4/1991	Wharton	D13/133

* cited by examiner

Primary Examiner — Angela J Lee

Assistant Examiner — Shawn T Gingrich

(74) *Attorney, Agent, or Firm* — Jones Robb, PLLC

(57) **CLAIM**

The ornamental design for an electrical connector, as shown and described.

DESCRIPTION

FIG. 1 is a front view of an electrical connector showing my new design.

FIG. 2 is a top view thereof.

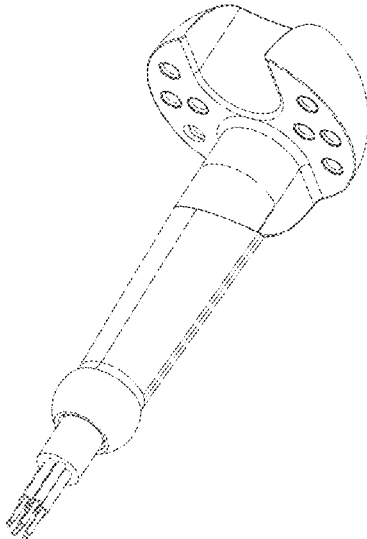
FIG. 3 is a right side view thereof.

FIG. 4 is a rear view thereof.

FIG. 5 is a left side view thereof; and,

FIG. 6 is a perspective view thereof.

1 Claim, 6 Drawing Sheets



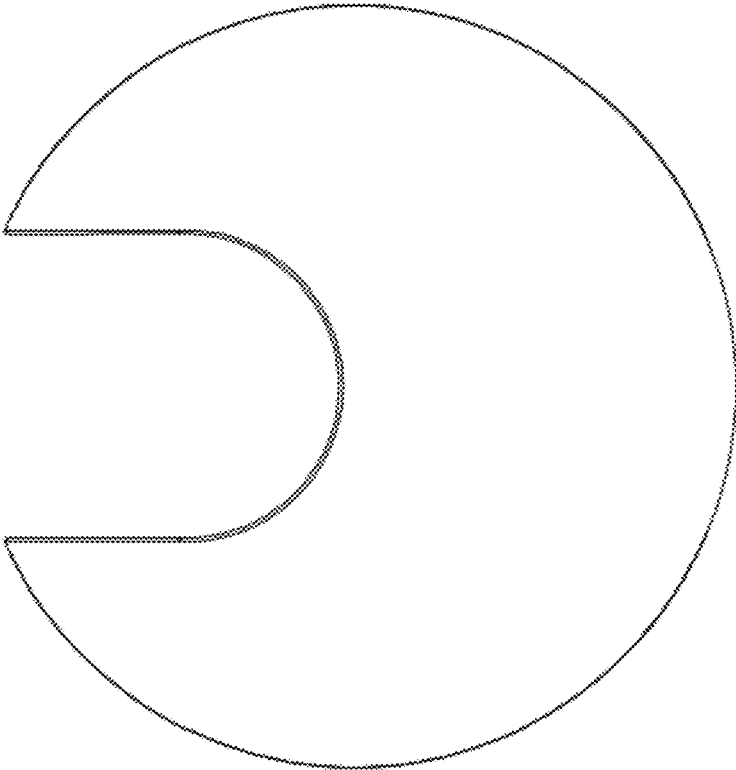


FIG. 1

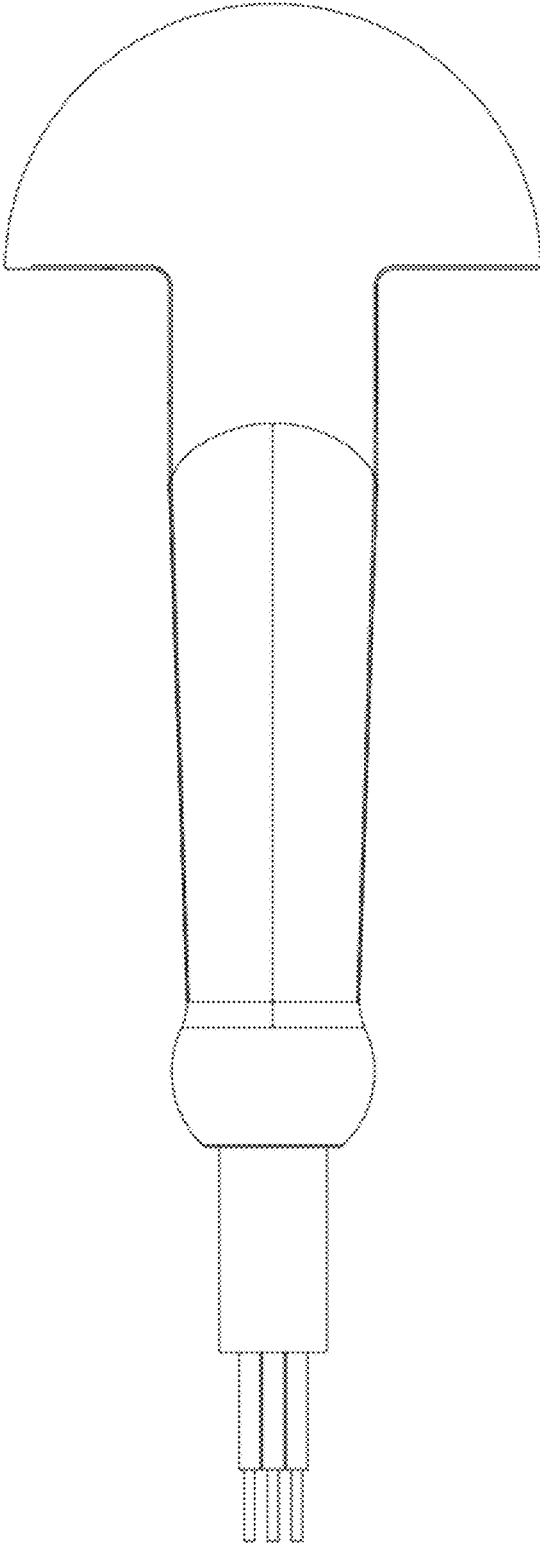


FIG. 2

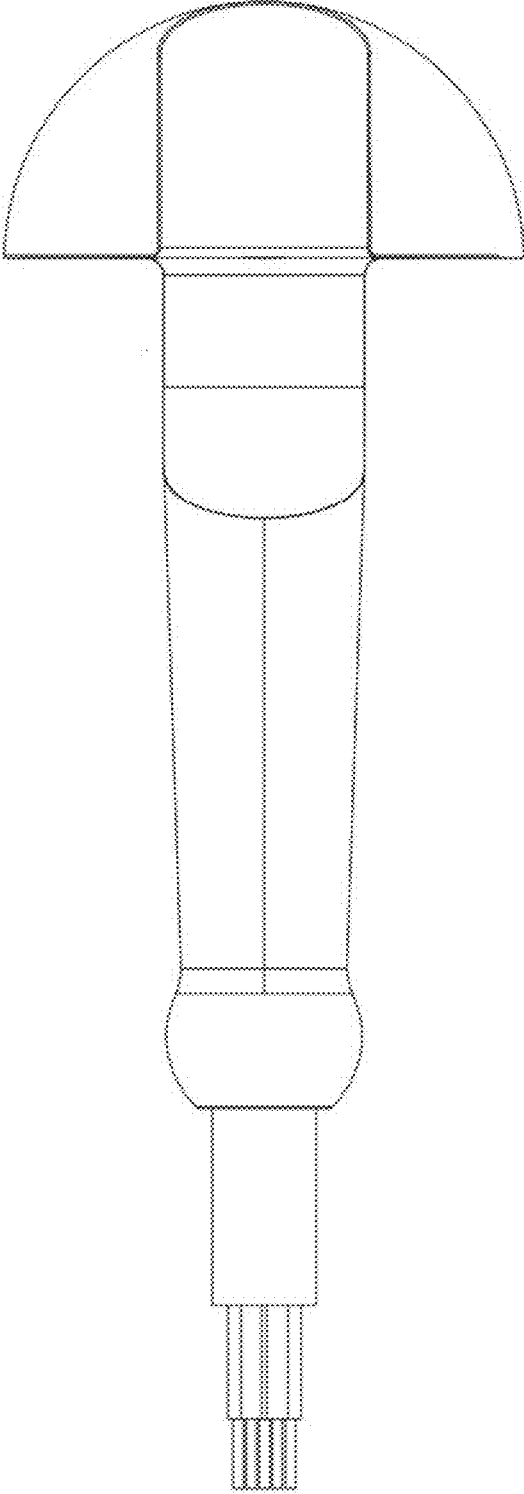


FIG. 3

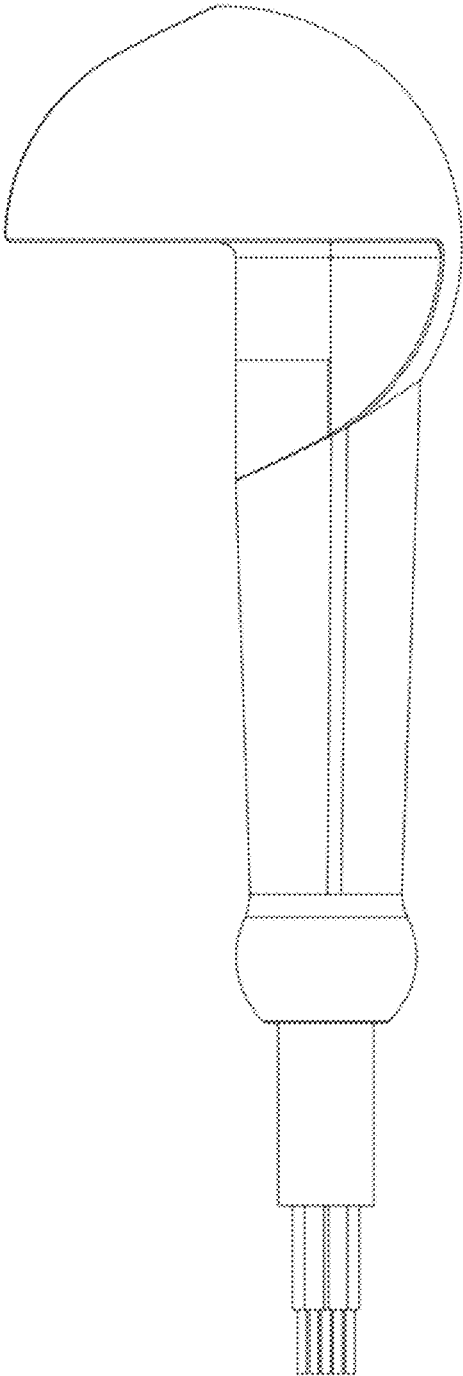


FIG. 4

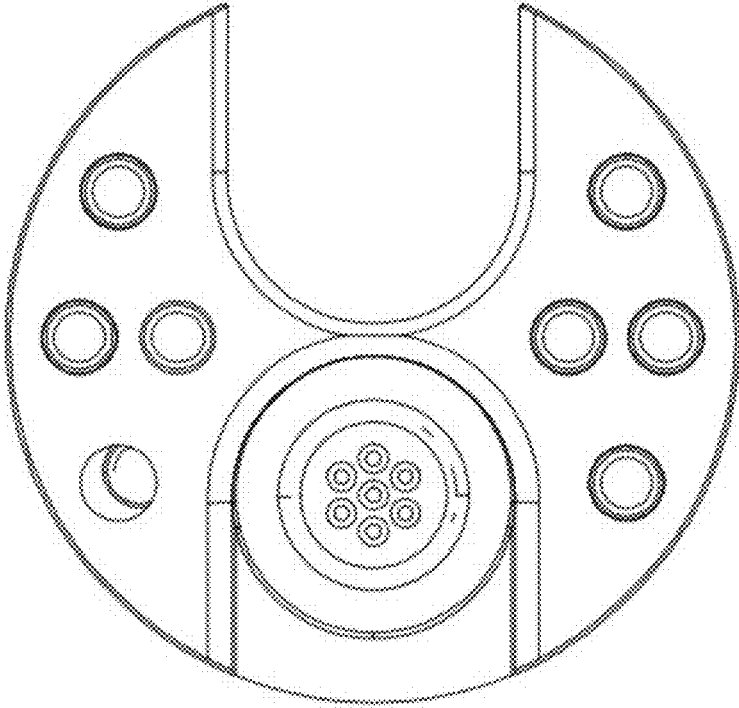


FIG. 5

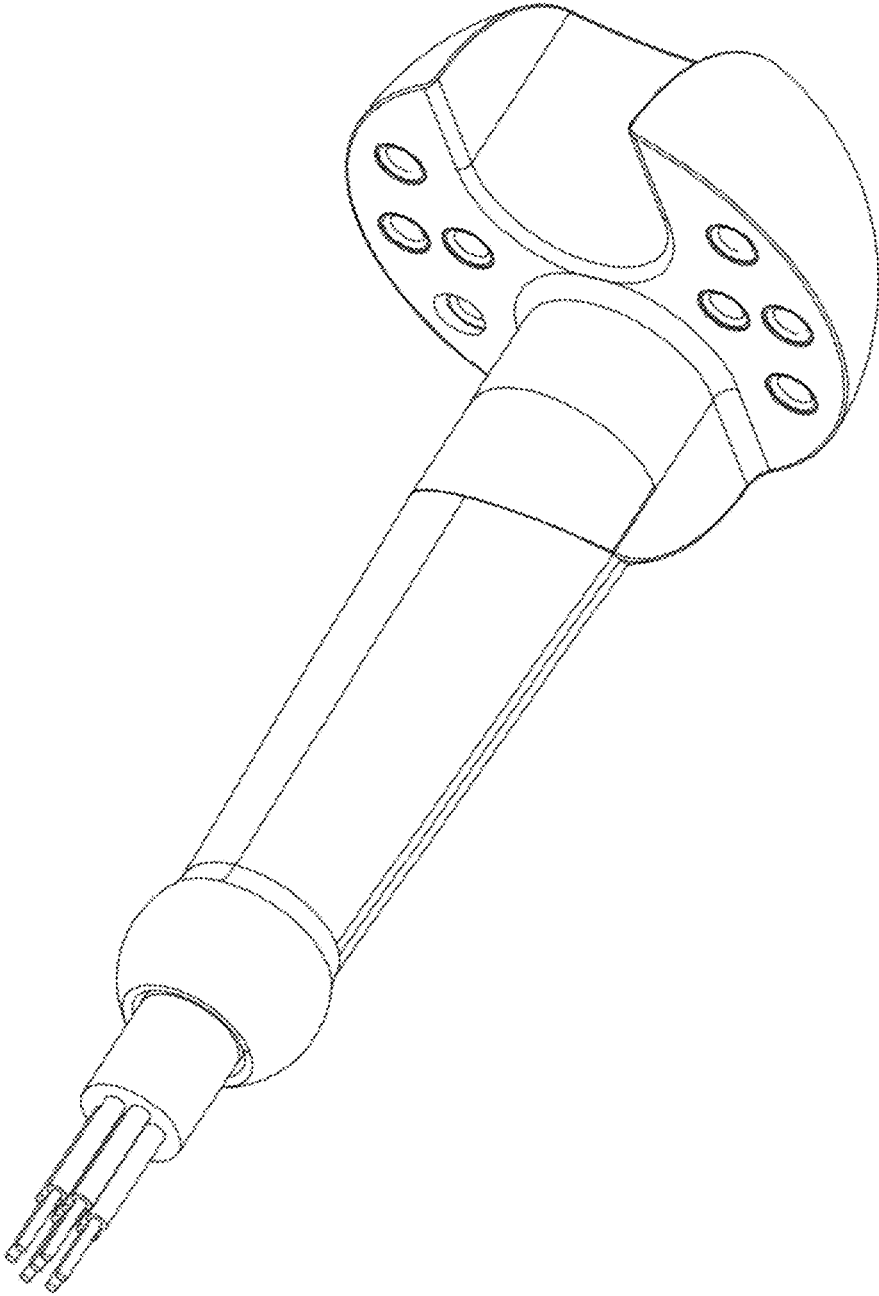


FIG. 6