



US00D817116S

(12) **United States Design Patent**
Evans et al.

(10) **Patent No.:** **US D817,116 S**
(45) **Date of Patent:** **** May 8, 2018**

(54) **HERB CONTAINER**

(57) **CLAIM**

(71) Applicant: **Helen of Troy Limited**, Belleville, St. Michael (BB)

The ornamental design for an herb container, as shown and described.

(72) Inventors: **Linden Evans**, San Francisco, CA (US); **Heidi Serene Farrell**, Brooklyn, NY (US); **Noah Pentelovitch**, New York, NY (US)

(73) Assignee: **Helen of Troy Limited**, Belleville, St. Michael (BB)

(**) Term: **15 Years**

(21) Appl. No.: **29/597,490**

(22) Filed: **Mar. 17, 2017**

(51) **LOC (11) Cl.** **09-07**

(52) **U.S. Cl.**
USPC **D7/629**

(58) **Field of Classification Search**

USPC D7/629, 630, 601, 602, 538-542, 612, D7/608, 300, 312, 316, 323, 353, 900, D7/387; D9/424-433, 445, 500, 501, D9/503, 504, 516, 549, 575, 737, 761, D9/760, 759, 756, 479, 478, 417, 420, D9/421; D23/209, 207; D34/1-11
(Continued)

(56) **References Cited**

U.S. PATENT DOCUMENTS

1,380,908 A * 6/1921 Hothersall B65D 43/0222
220/796
3,556,339 A * 1/1971 Lind B65D 43/021
220/787

(Continued)

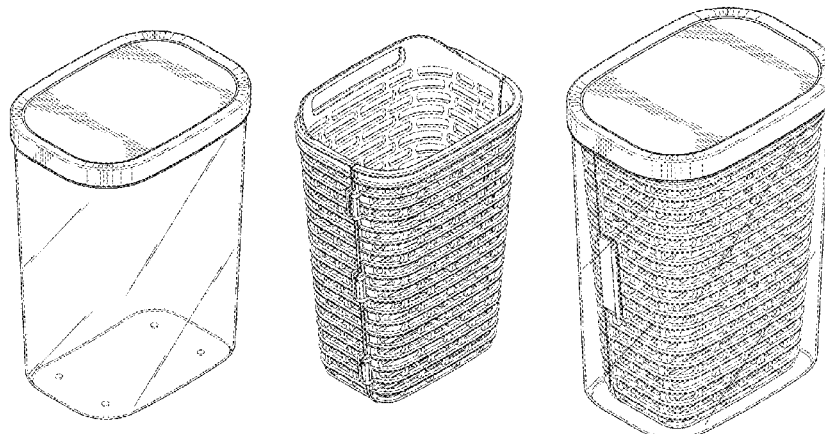
Primary Examiner — Shannon Morgan

(74) *Attorney, Agent, or Firm* — Rankin, Hill & Clark LLP

DESCRIPTION

FIG. 1 is an exploded perspective view of a first embodiment of an herb container showing the new design; FIG. 2 is a front elevation view thereof; FIG. 3 is a rear elevation view thereof; FIG. 4 is a left side elevation view thereof; FIG. 5 is a right side elevation view thereof; FIG. 6 is a top plan view thereof; and FIG. 7 is a bottom plan view thereof; FIG. 8 is a perspective view of the herb container shown in FIG. 1 shown assembled thereof; FIG. 9 is a front elevation view thereof; FIG. 10 is a rear elevation view thereof; FIG. 11 is a left side elevation view thereof; FIG. 12 is a right side elevation view thereof; FIG. 13 is a top plan view thereof; and FIG. 14 is a bottom plan view thereof; FIG. 15 is an exploded perspective view of a second embodiment of an herb container showing the new design; FIG. 16 is a front elevation view thereof; FIG. 17 is a rear elevation view thereof; FIG. 18 is a left side elevation view thereof; FIG. 19 is a right side elevation view thereof; FIG. 20 is a top plan view thereof; and FIG. 21 is a bottom plan view thereof; FIG. 22 is a perspective view of the herb container shown in FIG. 15 shown assembled thereof; FIG. 23 is a front elevation view thereof; FIG. 24 is a rear elevation view thereof; FIG. 25 is a left side elevation view thereof; FIG. 26 is a right side elevation view thereof; FIG. 27 is a top plan view thereof; and, FIG. 28 is a bottom plan view thereof.
The broken lines in the drawings depict portions of the herb container that form no part of the claimed design.

1 Claim, 26 Drawing Sheets



US D817,116 S

Page 2

(58) **Field of Classification Search**

CPC B65D 85/50; B65D 85/505; B65D 85/52;
A47J 47/01; A47J 42/14; A47J 42/34;
A47J 42/50

See application file for complete search history.

(56) **References Cited**

U.S. PATENT DOCUMENTS

D269,361 S * 6/1983 Marschak D3/302
D278,675 S * 5/1985 Tardif D7/629
D289,143 S * 4/1987 Guillaume D9/445
D328,710 S * 8/1992 Deflander D9/417
D337,697 S * 7/1993 Giugiaro D7/542
D351,969 S * 11/1994 Daenen D7/603
5,476,187 A * 12/1995 Marisco B65D 25/16
220/495.08
D389,738 S * 1/1998 Hlobil D9/432
D395,204 S * 6/1998 Wood D7/615
D399,133 S * 10/1998 Fry D1/102
D407,974 S * 4/1999 Zimmer D9/424
D434,612 S * 12/2000 Chang D7/612
D437,948 S * 2/2001 Poppick D26/9
6,349,866 B1 * 2/2002 Stewart B65D 5/703
220/259.1

6,390,358 B1 * 5/2002 Stewart B65D 5/703
229/125.08
D464,884 S * 10/2002 Sumpmann D9/432
D466,012 S * 11/2002 Baker D9/416
D466,809 S * 12/2002 Sagel D9/428
D485,754 S * 1/2004 Felder D9/416
D493,617 S * 8/2004 Armato D3/294
D565,412 S * 4/2008 Fuller D9/454
D596,024 S * 7/2009 Fraguada McCoy D9/428
D601,857 S * 10/2009 Carlson D7/602
7,654,411 B2 * 2/2010 Boots B65D 43/162
215/237
D623,475 S * 9/2010 Aarnoudse D7/510
D636,257 S * 4/2011 Bougoulas D9/420
D643,740 S * 8/2011 Pantelleria D9/439
D649,658 S * 11/2011 Belfance D24/224
D653,917 S * 2/2012 Ehrenhaus D7/584
D655,183 S * 3/2012 Pantelleria D9/575
D669,777 S * 10/2012 Brown D9/424
D766,675 S * 9/2016 Schlegel D7/601
9,533,803 B1 * 1/2017 Giraud B65D 50/06
D789,159 S * 6/2017 Herling D7/629
D792,673 S * 7/2017 Lloyd D34/7
D799,830 S * 10/2017 Greenwood D3/312
2003/0178428 A1 * 9/2003 Chang B65D 53/02
220/378

* cited by examiner

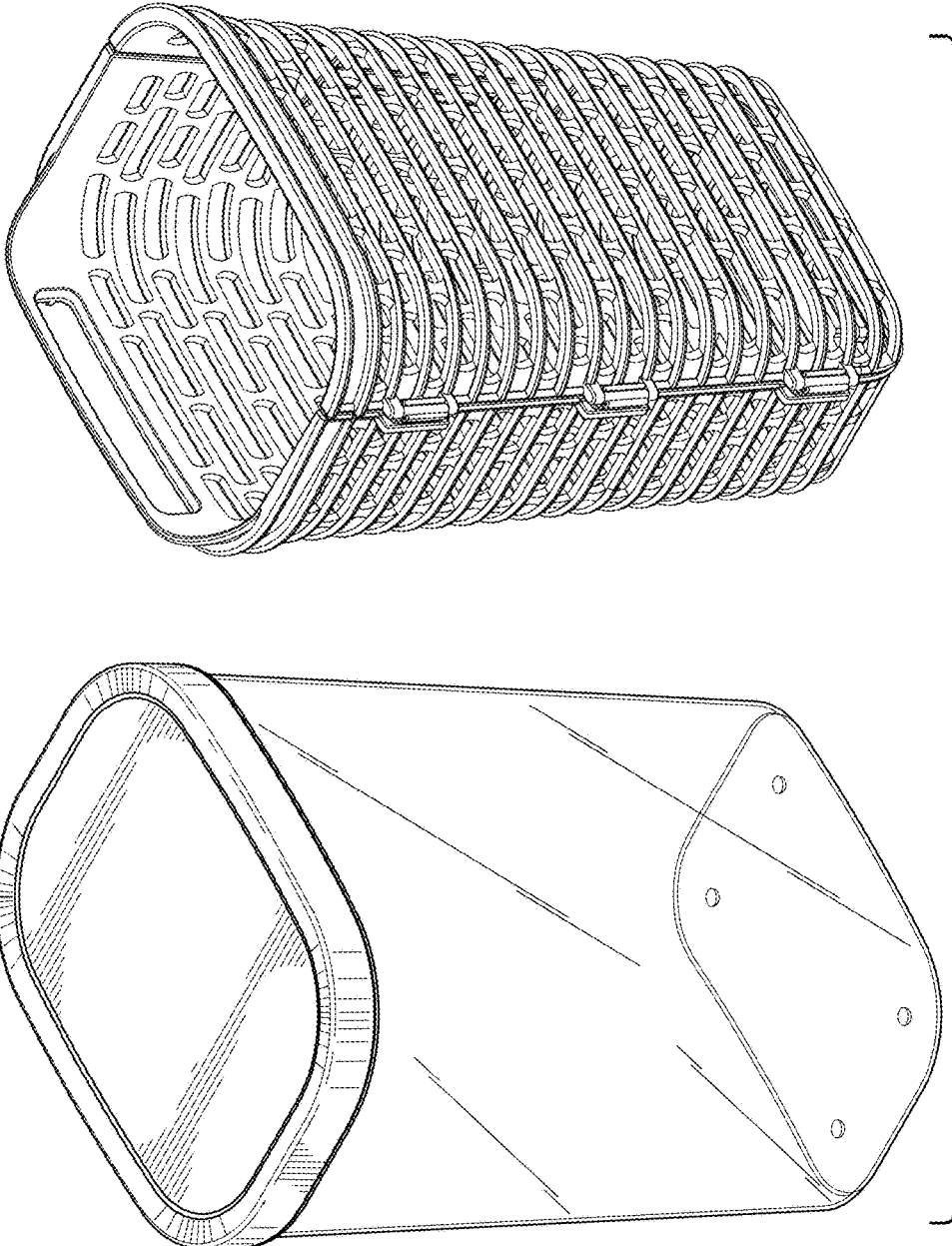


FIG. 1

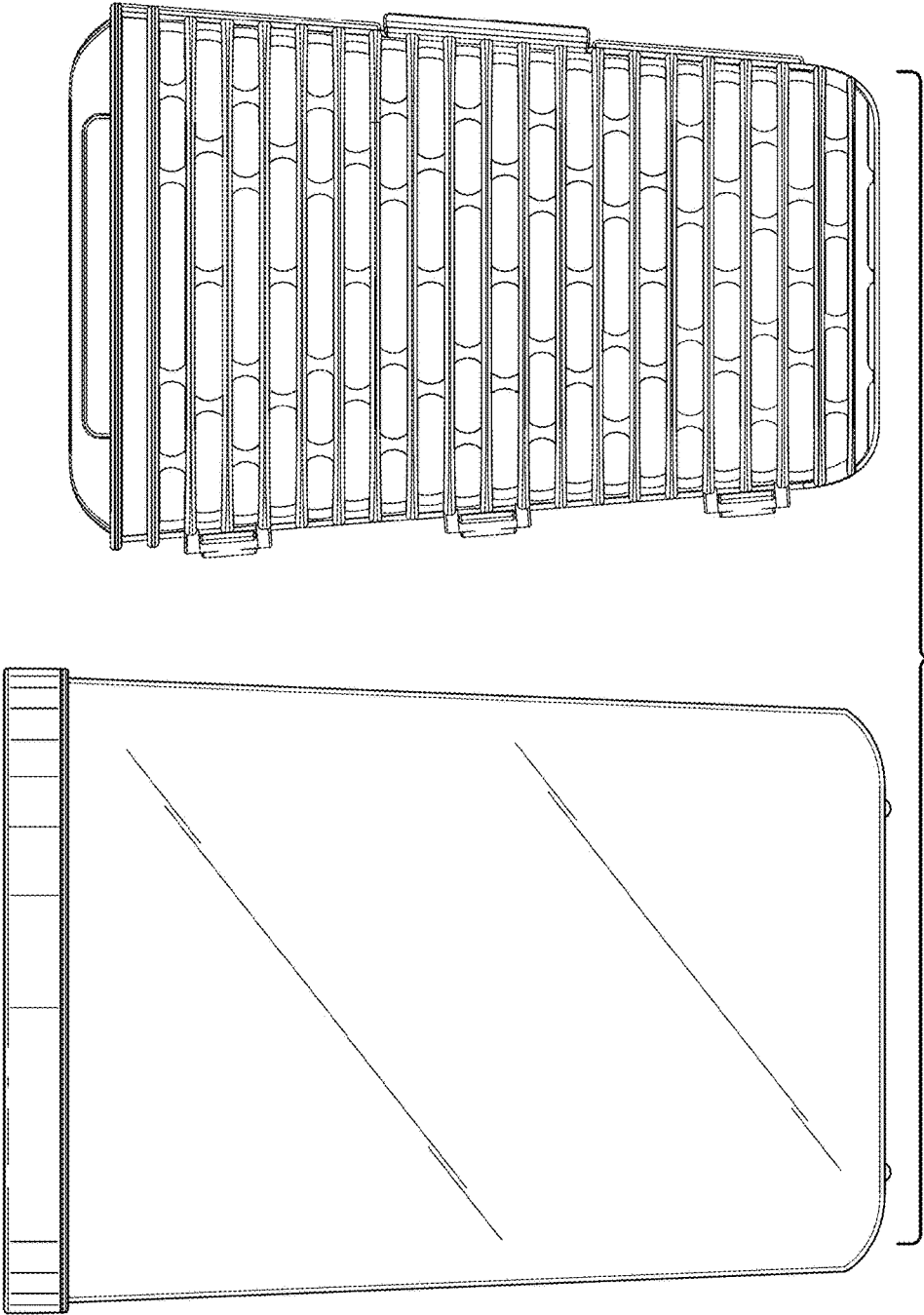


FIG. 2

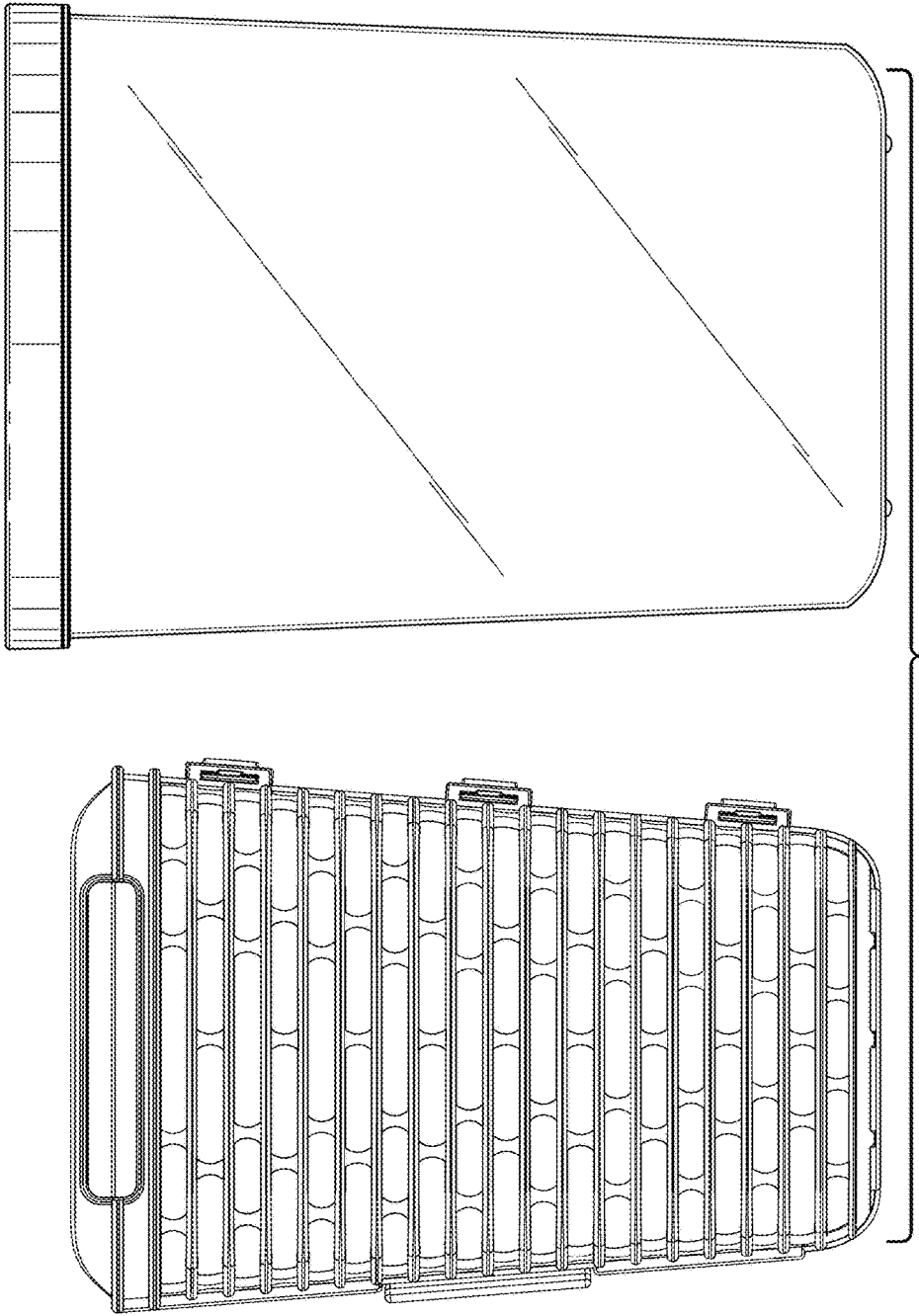


FIG.3

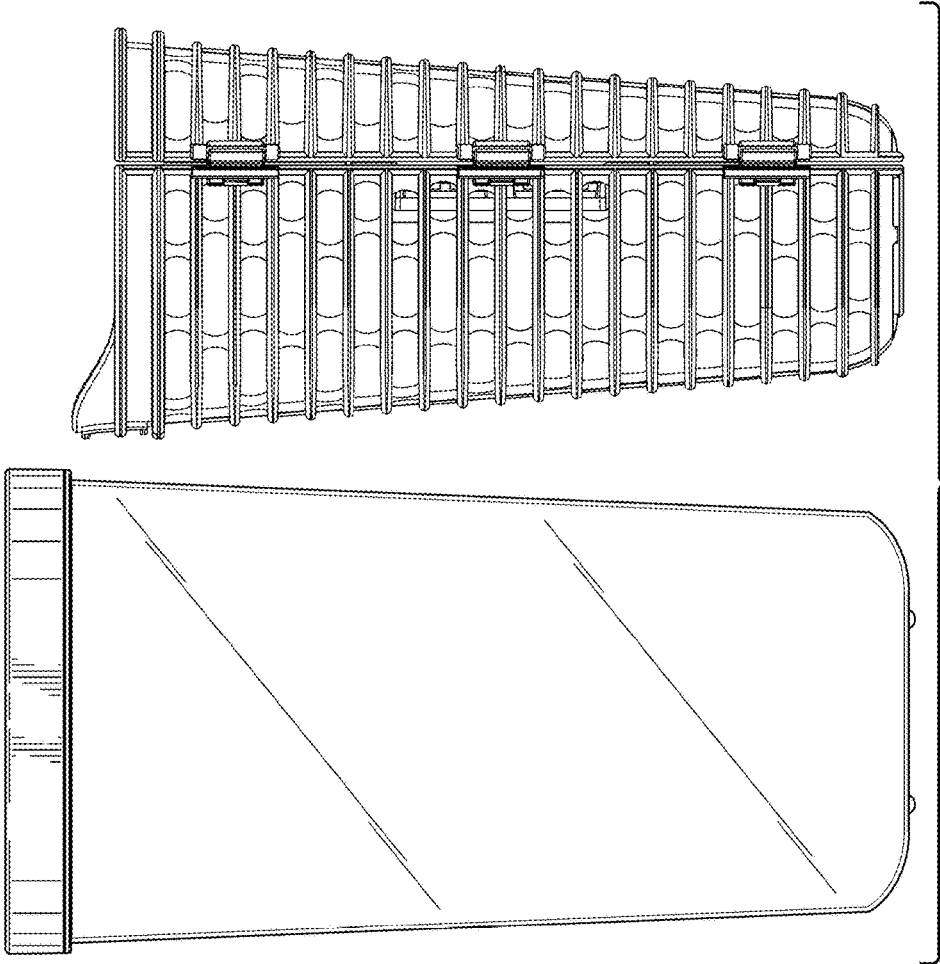


FIG.4

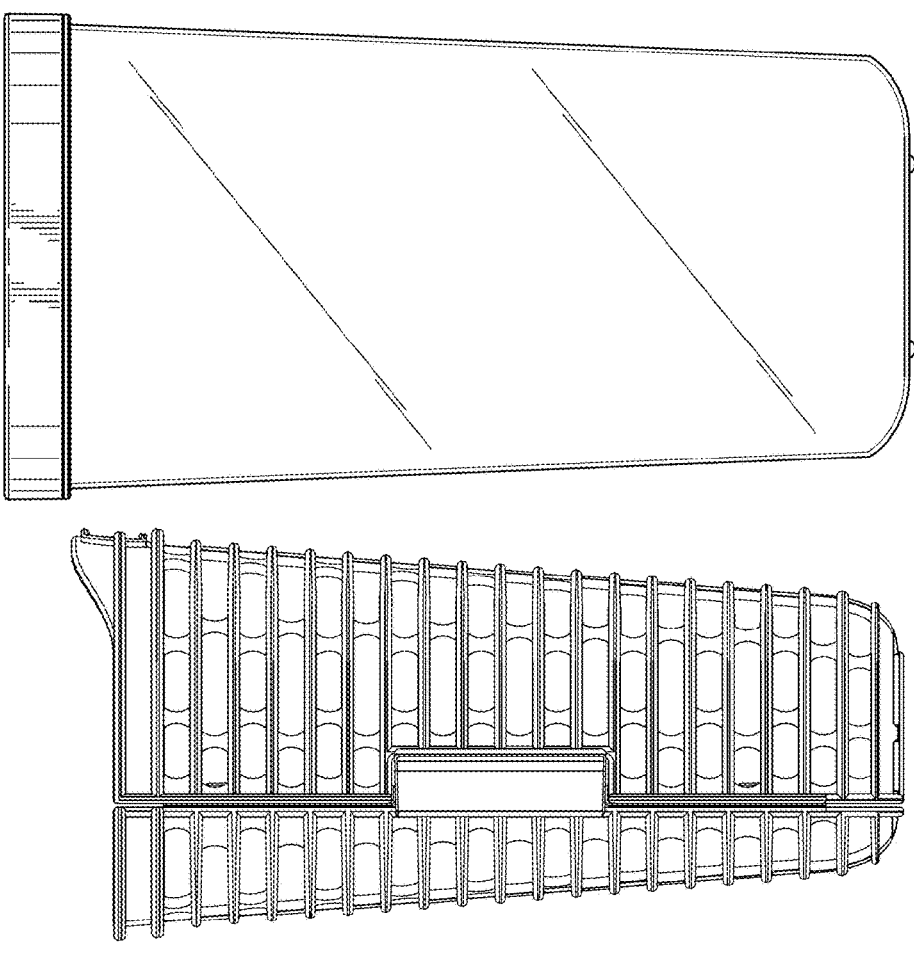


FIG. 5

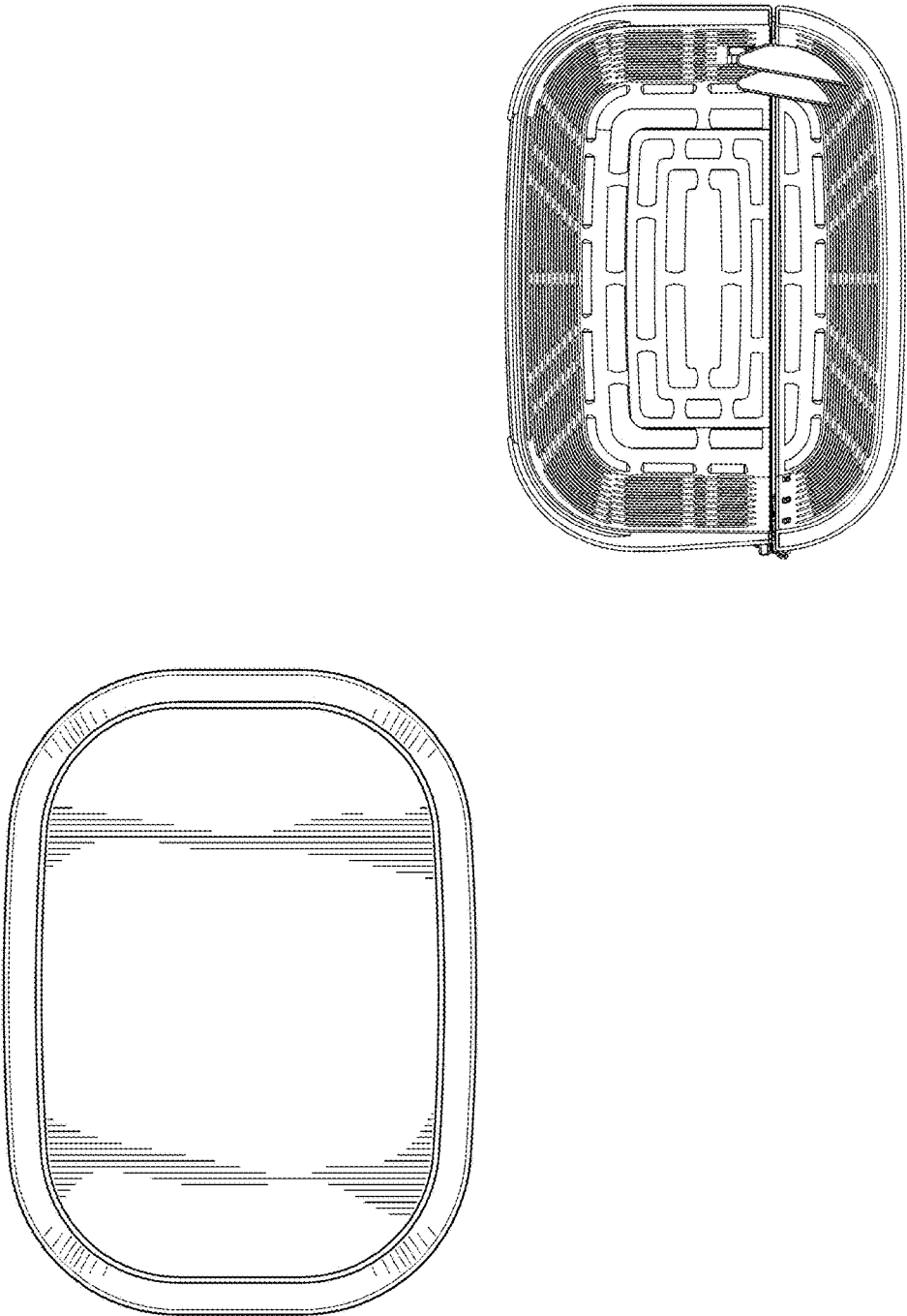


FIG.6

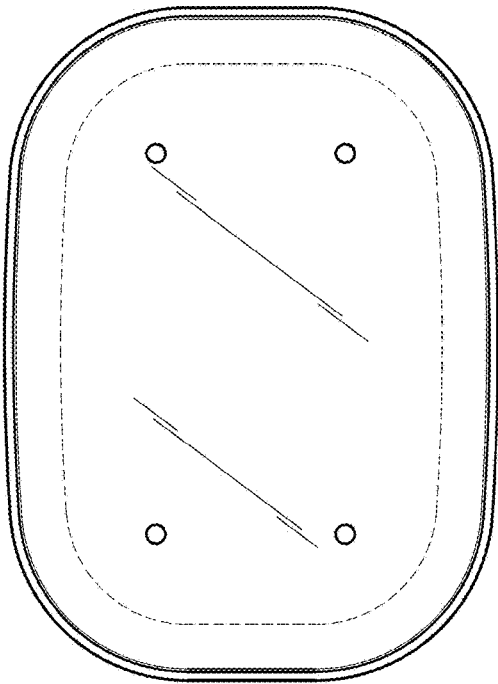
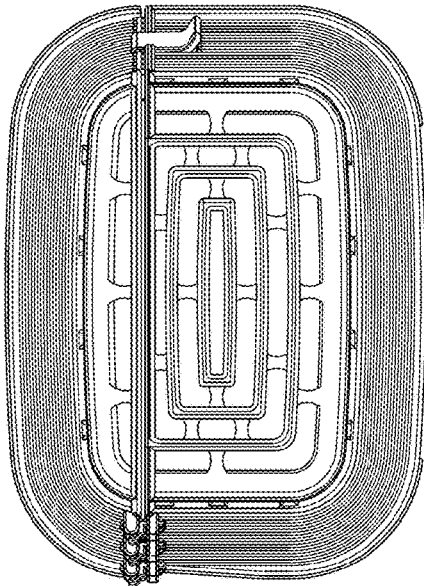


FIG. 7

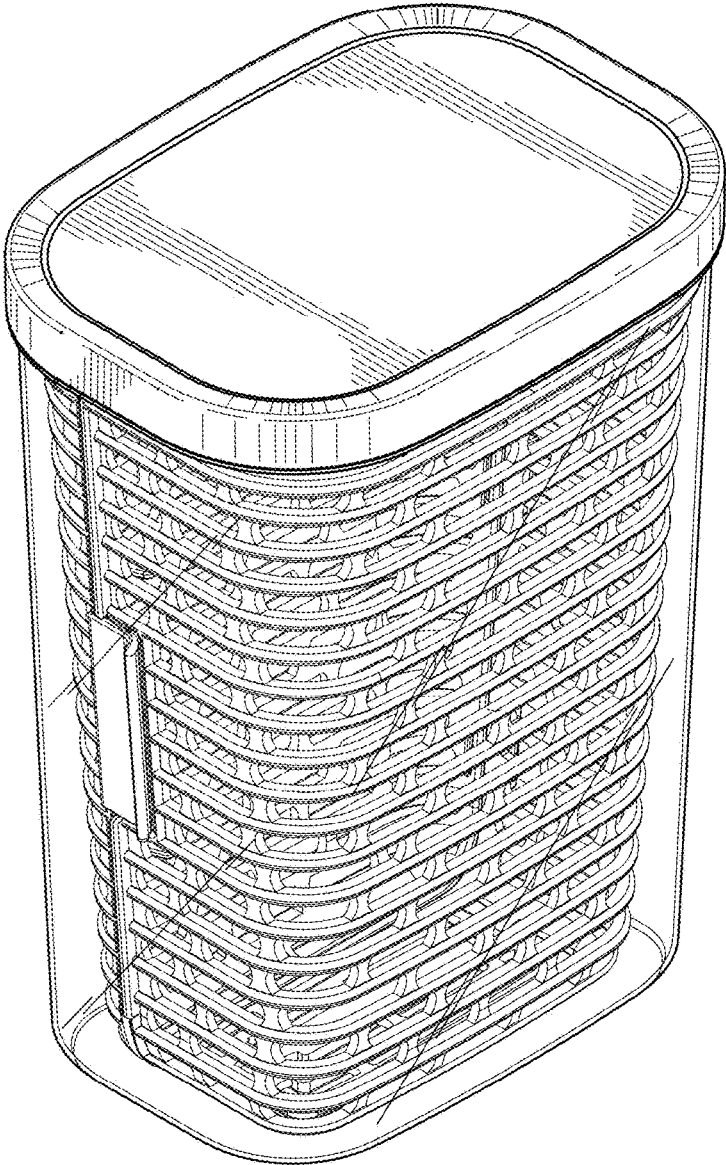


FIG.8

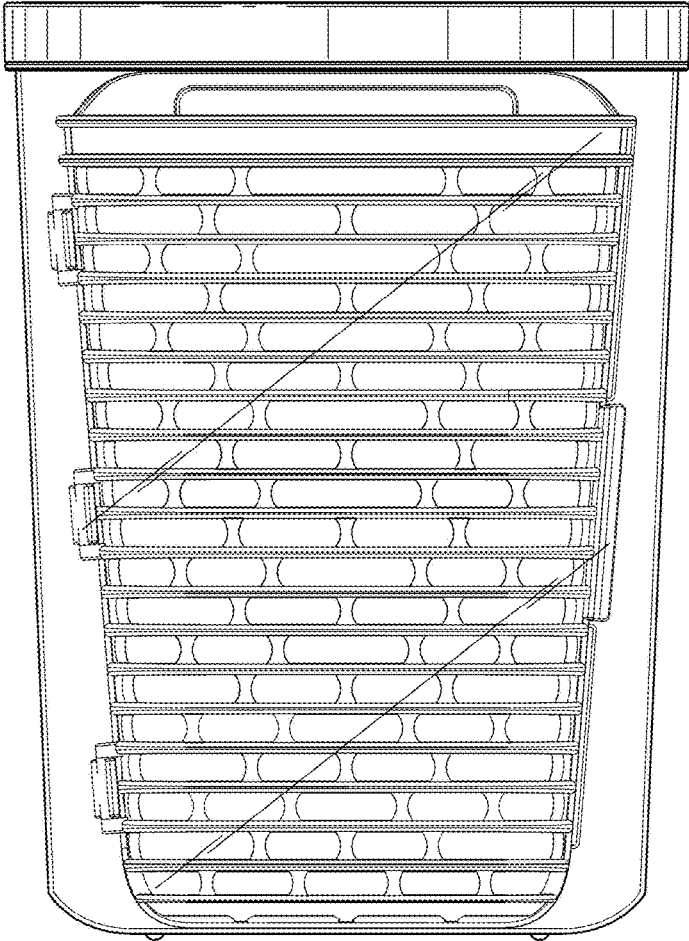


FIG.9

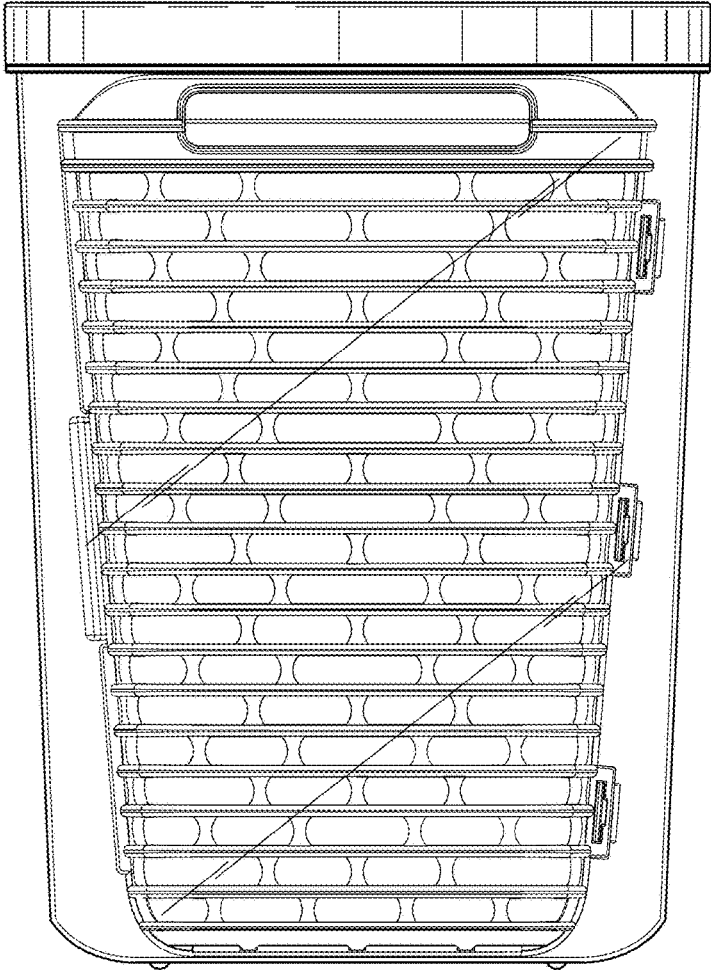


FIG. 10

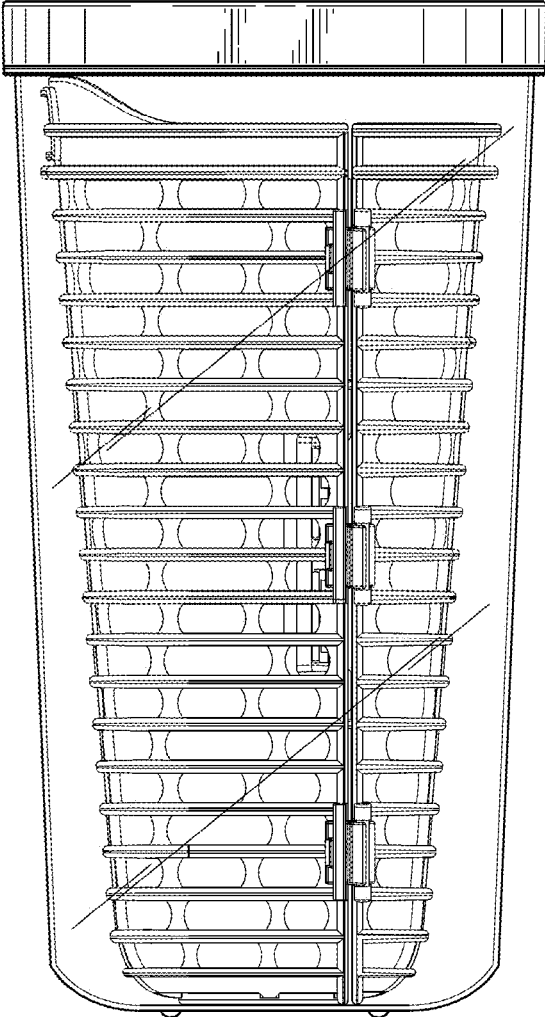


FIG. 11

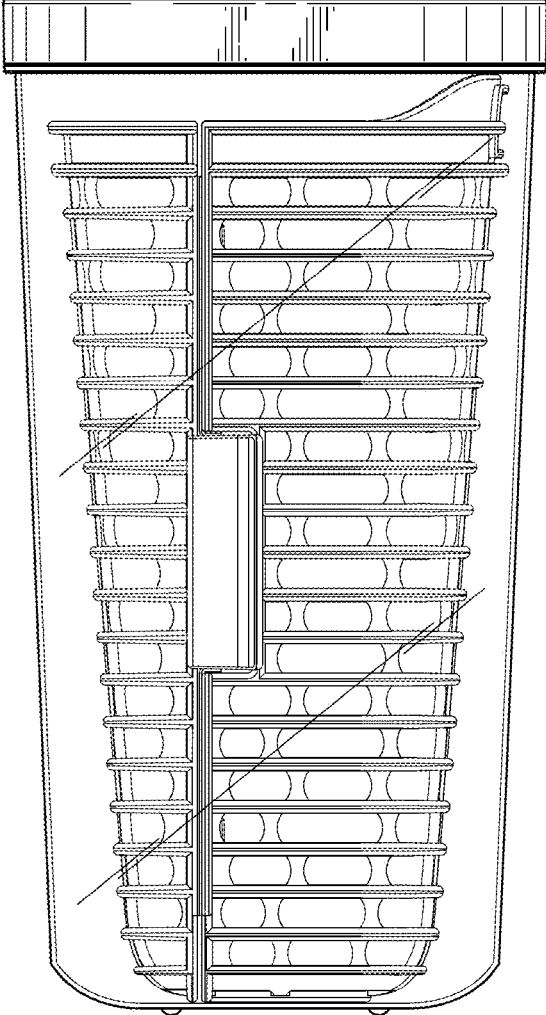


FIG.12

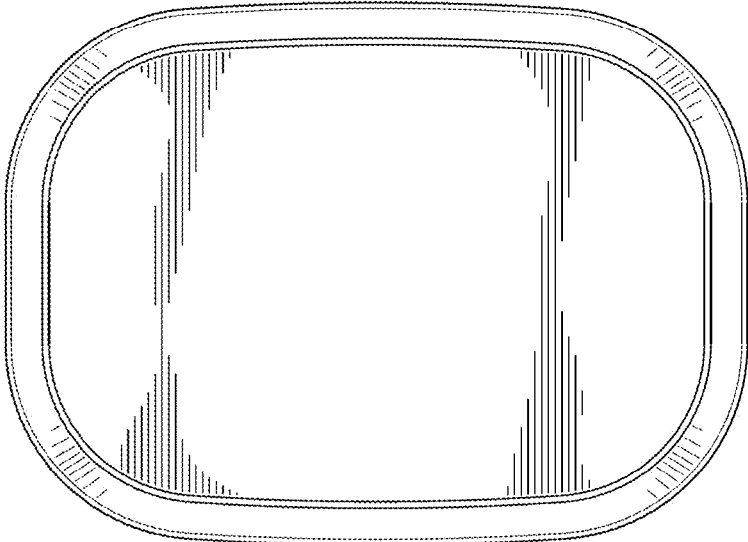


FIG. 13

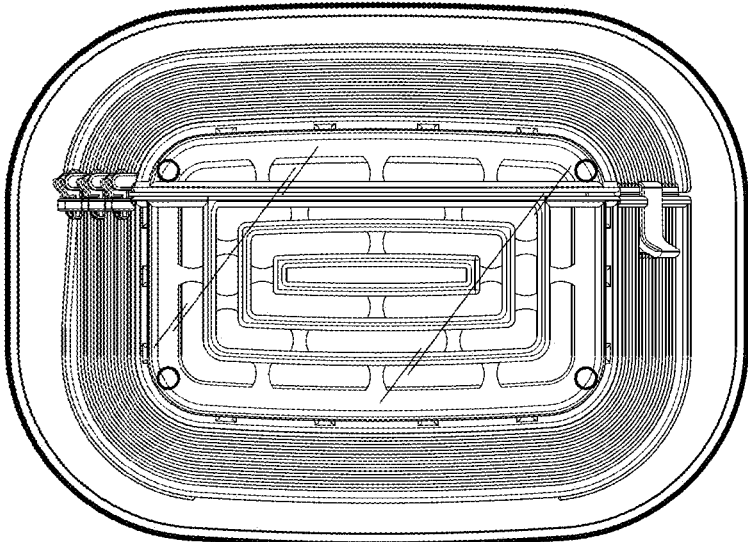


FIG. 14

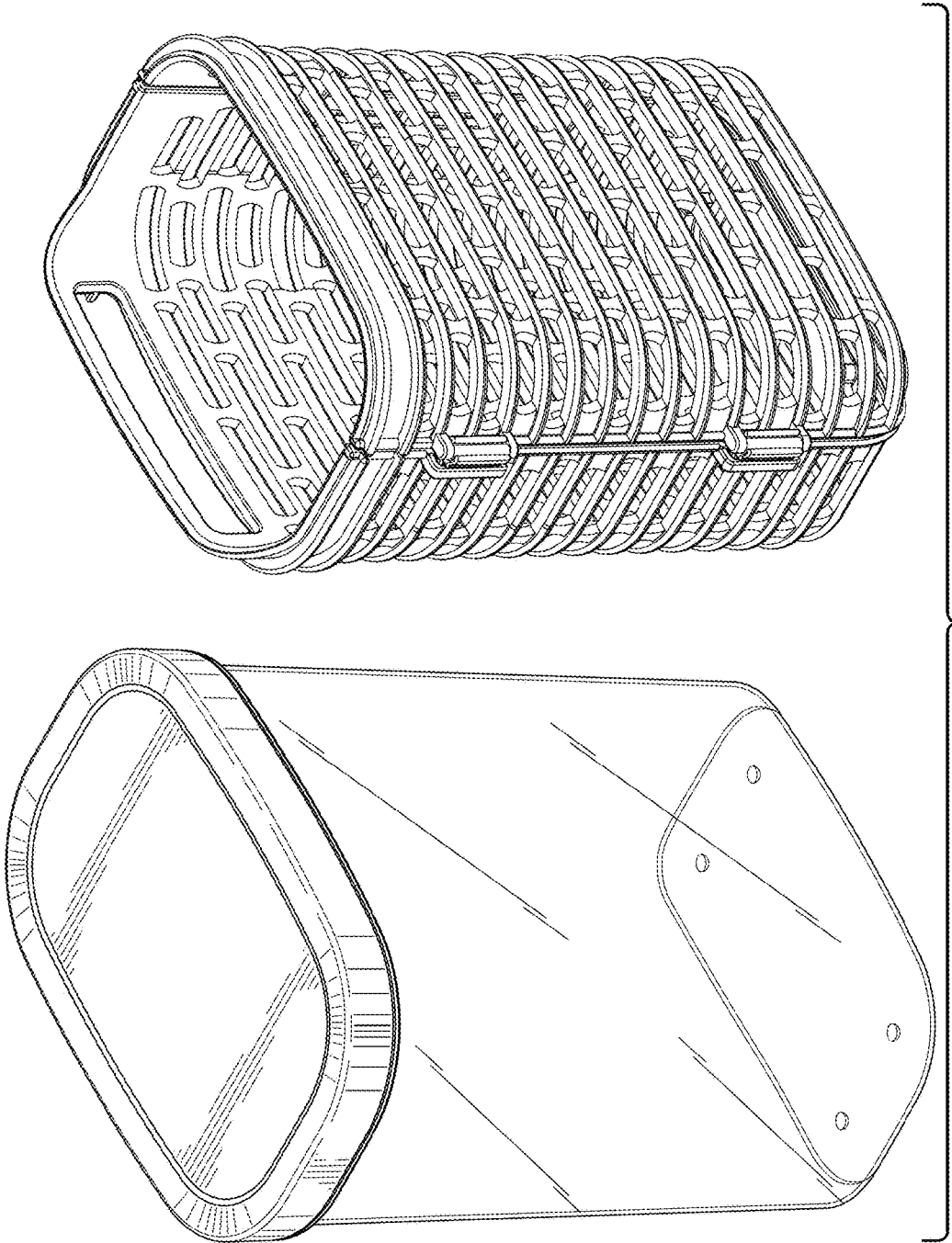


FIG.15

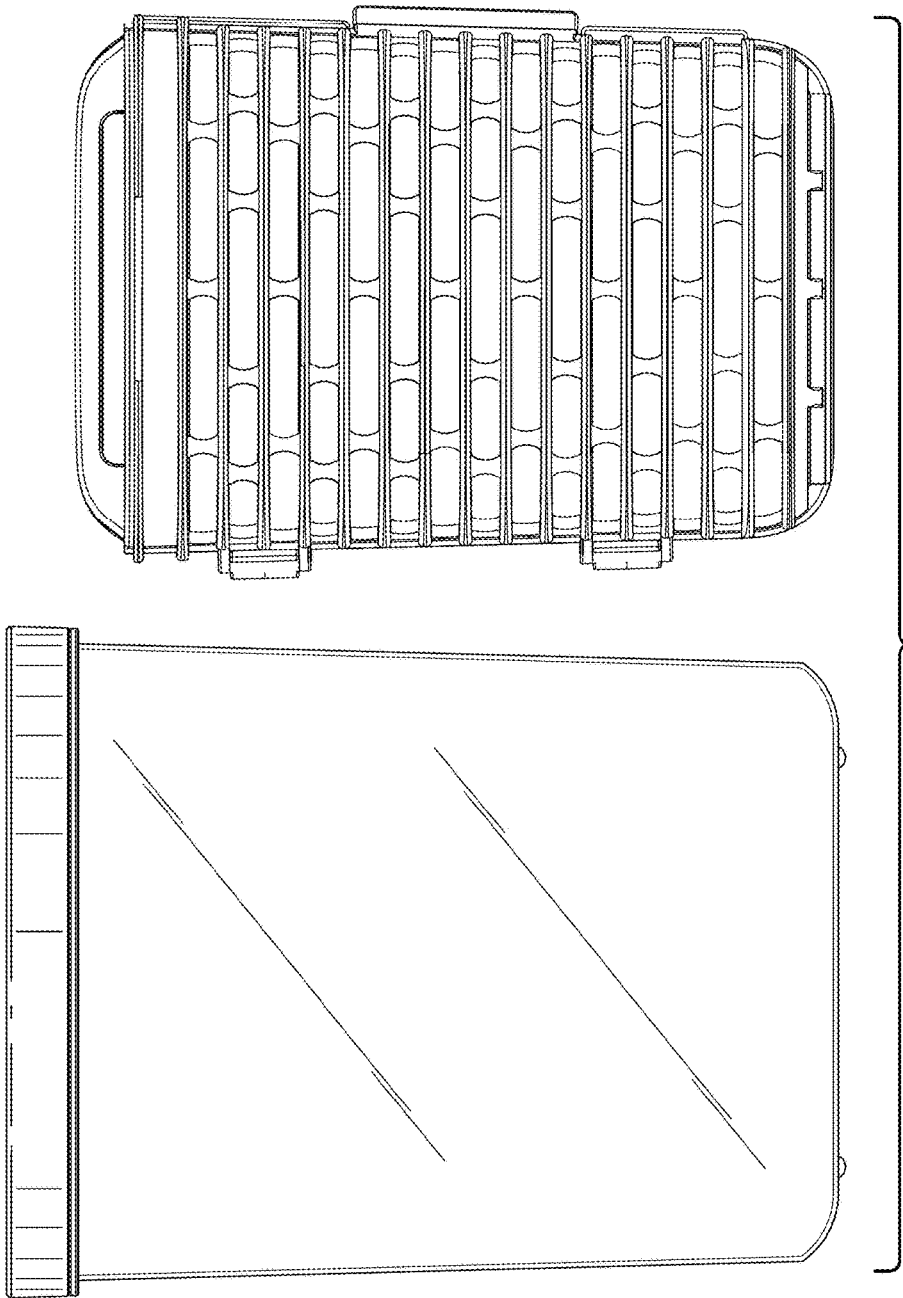


FIG.16

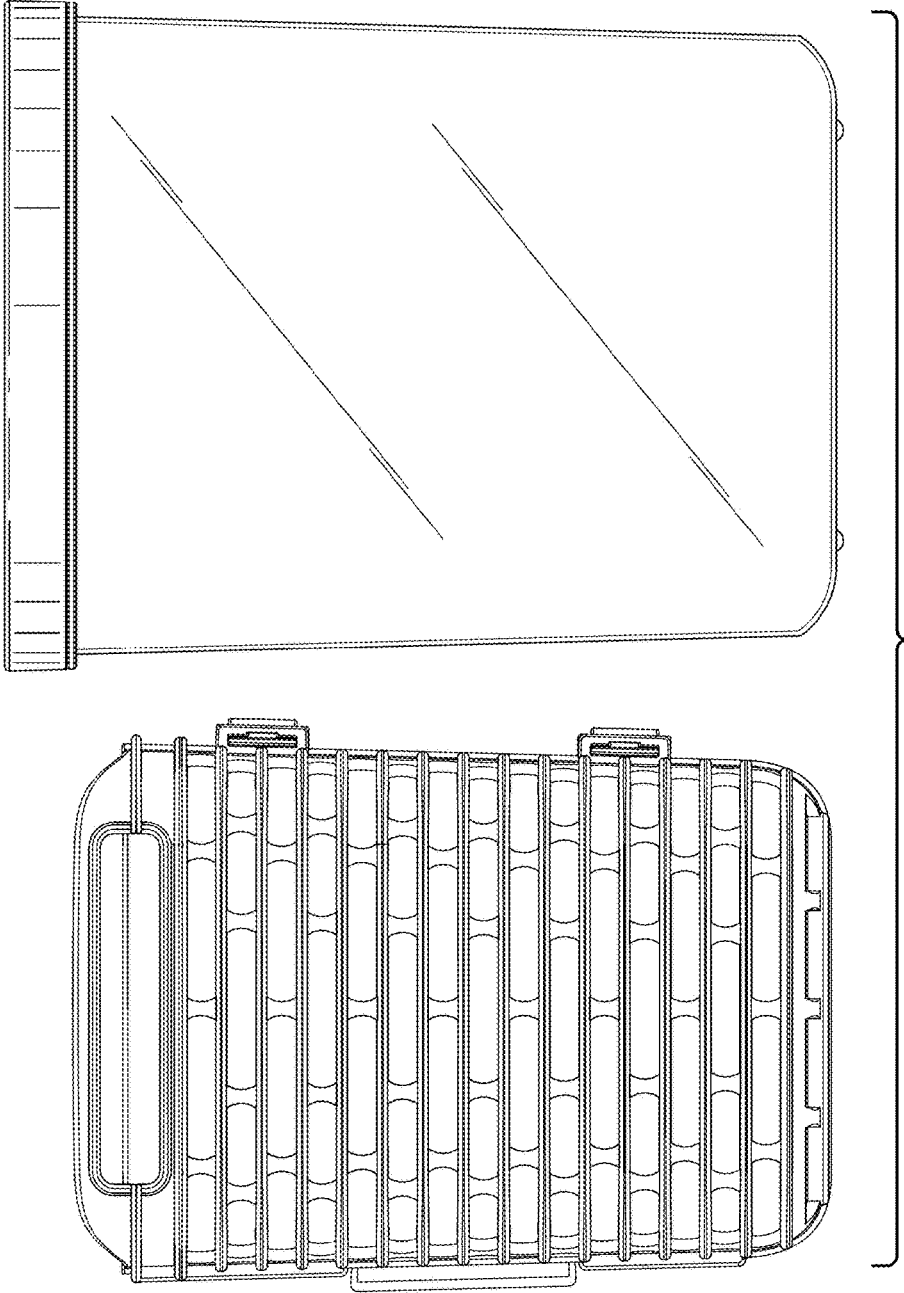


FIG.17

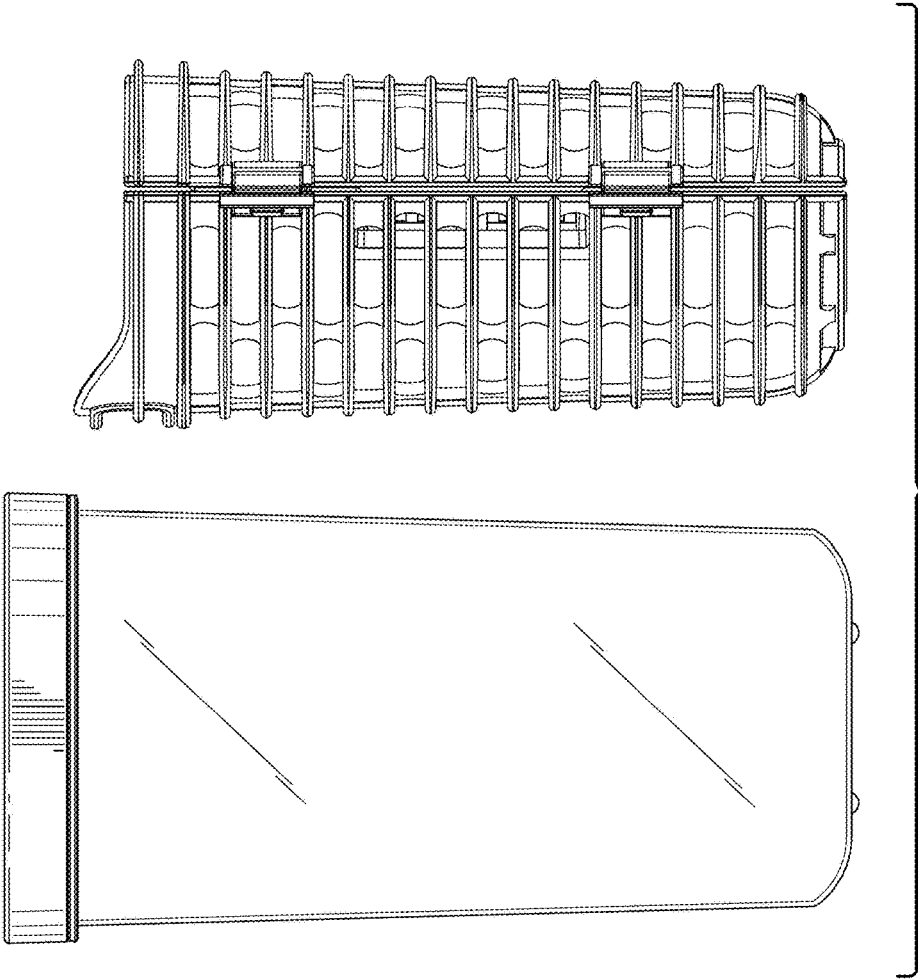


FIG.18

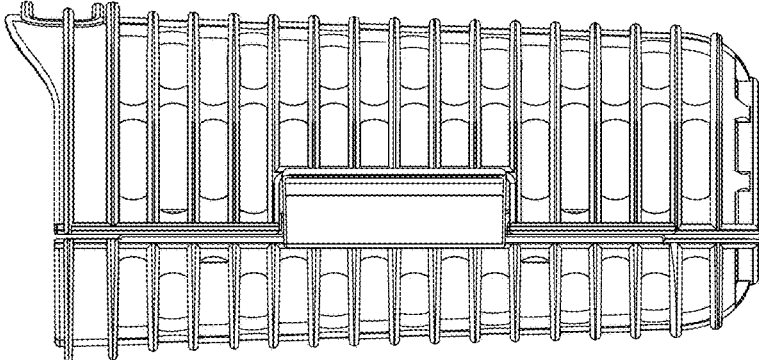
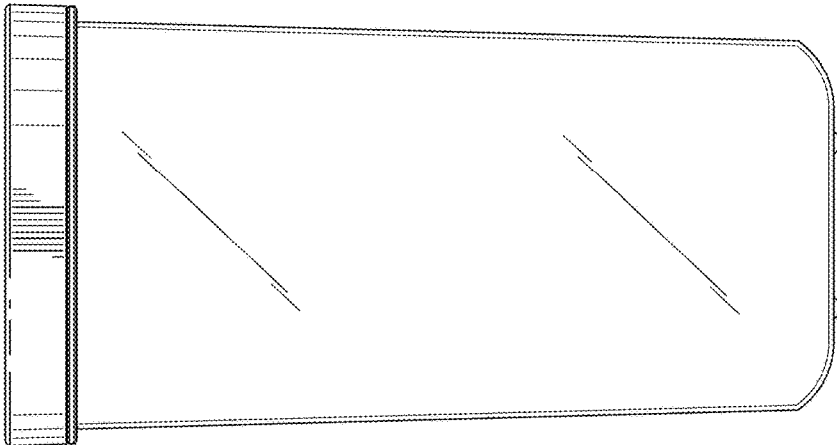


FIG.19

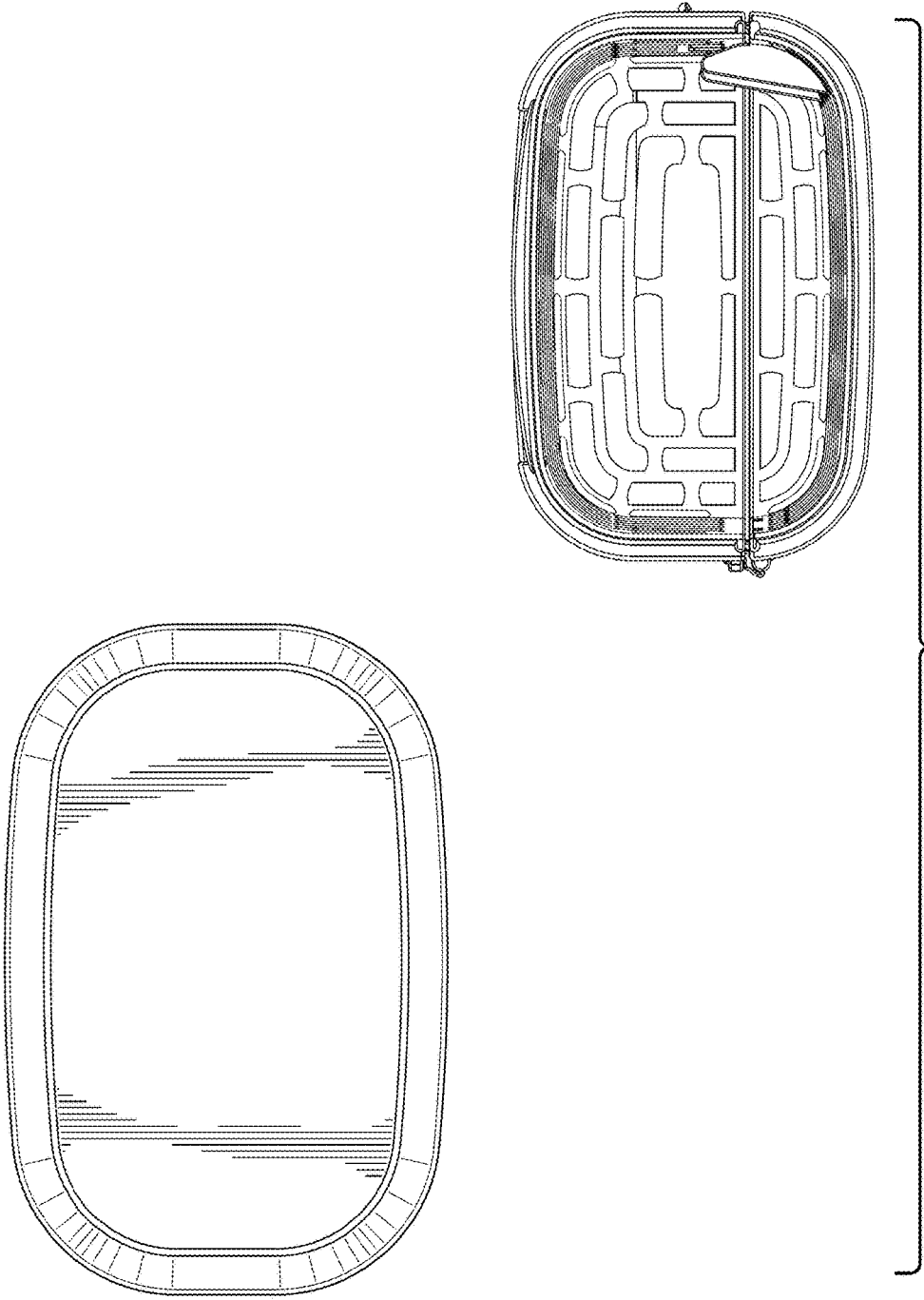


FIG. 20

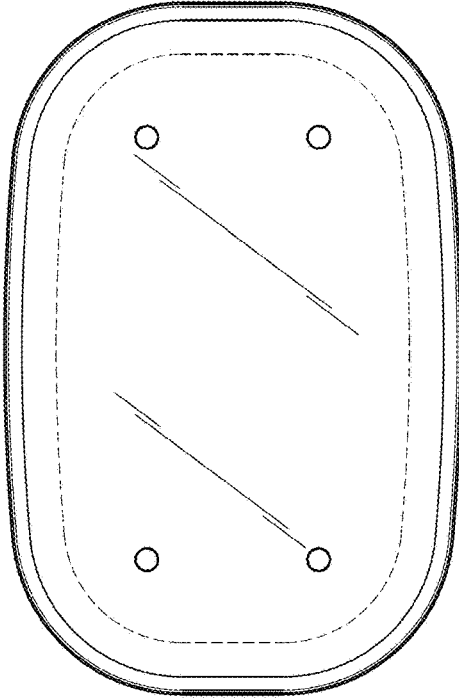
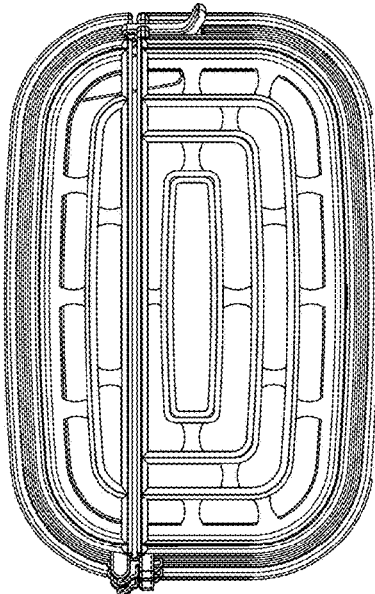


FIG.21

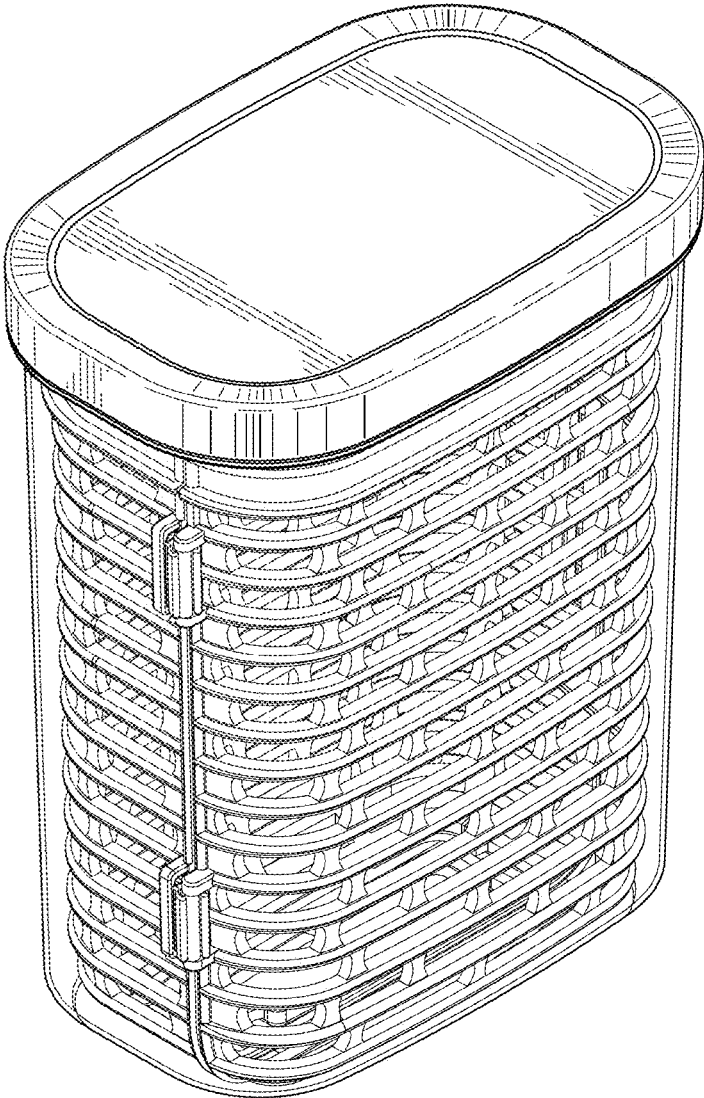


FIG.22

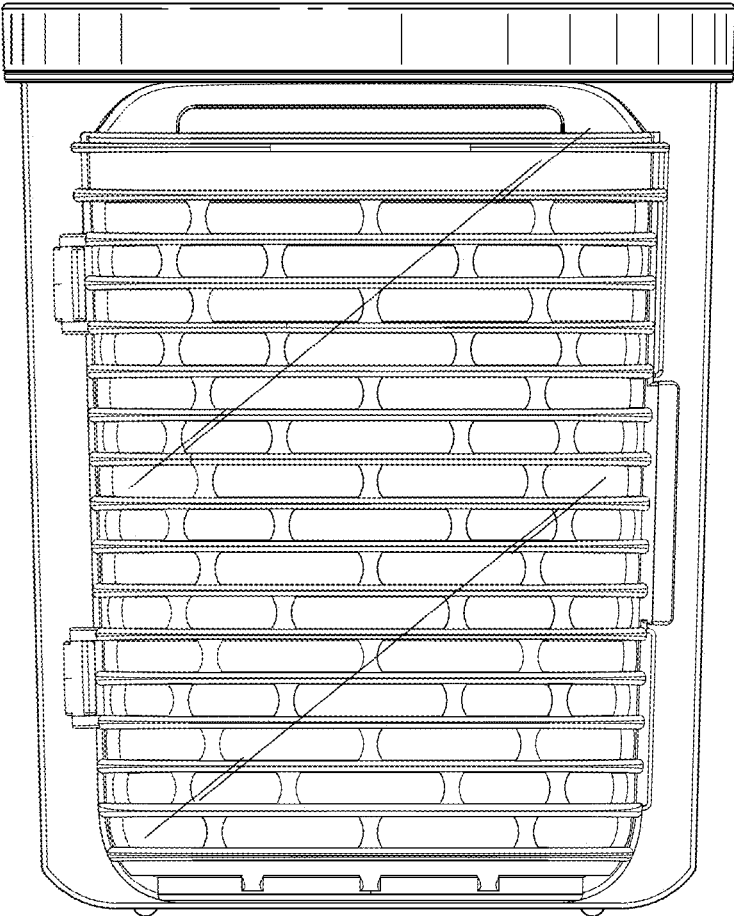


FIG. 23

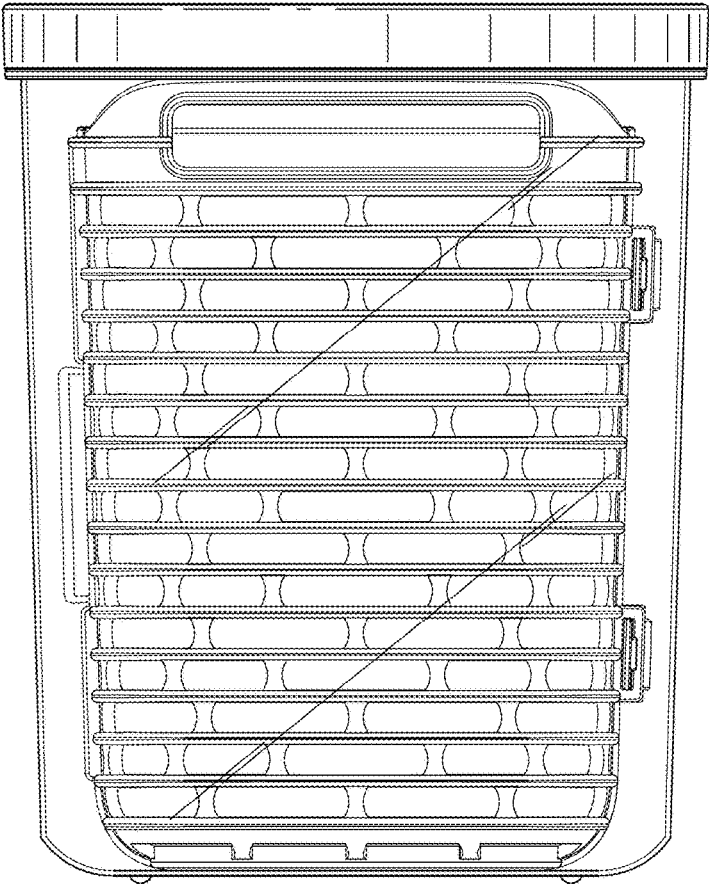


FIG.24

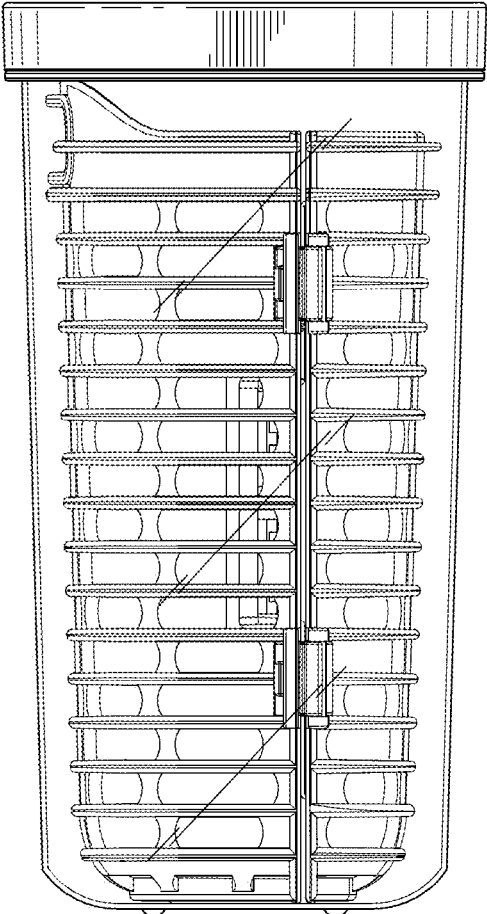


FIG.25

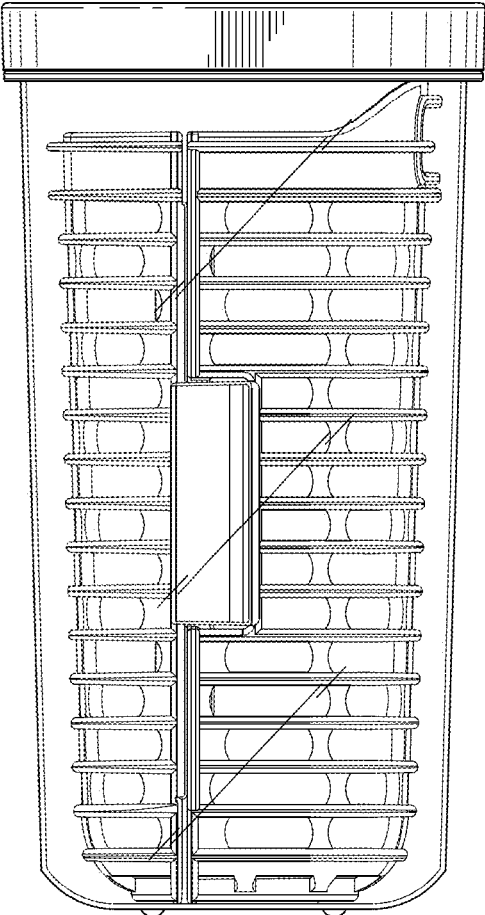


FIG.26

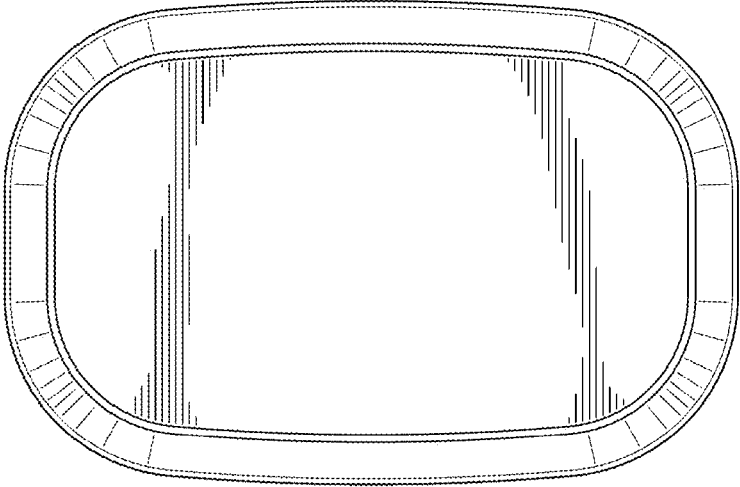


FIG. 27

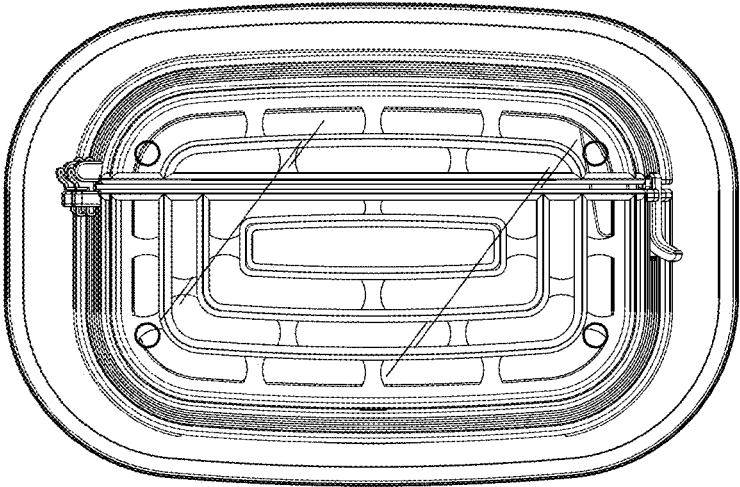


FIG. 28