



(12) **United States Design Patent**  
**Ni et al.**

(10) **Patent No.:** **US D992,958 S**  
(45) **Date of Patent:** **\*\* Jul. 25, 2023**

(54) **NOODLE SQUEEZER**  
(71) Applicant: **DONGGUAN ZHEN ZHONG KANG PRECISION TRANSMISSION TECHNOLOGY CO., LTD**, Dongguan (CN)  
(72) Inventors: **Tangrong Ni**, Dongguan (CN); **Xiaoling Sheng**, Dongguan (CN)  
(73) Assignee: **DONGGUAN ZHEN ZHONG KANG PRECISION TRANSMISSION TECHNOLOGY CO., LTD**, Dongguan (CN)

(\*\*) Term: **15 Years**

(21) Appl. No.: **29/820,714**

(22) Filed: **Dec. 23, 2021**

(51) **LOC (14) Cl.** ..... **31-00**

(52) **U.S. Cl.**  
USPC ..... **D7/372; D7/381**

(58) **Field of Classification Search**  
USPC ..... D7/372, 376-386, 412, 665-666, 669, D7/678-679, 693-694  
CPC ..... A01F 2015/07; A01F 2015/077; A01F 2015/0775; A23N 1/00; A23N 1/02; A47J 19/00; A47J 19/005; A47J 19/02; A47J 19/04; A47J 19/06; A47J 42/32; A47J 42/34; A47J 42/36; A47J 43/044; A47J 43/25; A47J 43/255; B01F 7/26; B01F 7/28; B01F 11/0082; B01F 13/04; B02C 13/00; B02C 13/02; B02C 13/10; B02C 18/06; B02C 18/26; B02C 18/30; B02C 18/301; B02C 18/302; B02C 18/304; B02C 18/305; B02C 25/00; B02C 2002/00; B02C 2013/00; B02C 2013/14; B02C 2013/145; B02C 2013/18; B02C 2013/1807; B02C 2013/1857; B02C 2013/1864; B30B 9/00; B30B 9/16; B30B 9/18; B30B 9/20; B30B 9/26; B30B 9/205; B30B 9/207

See application file for complete search history.

(56) **References Cited**

**U.S. PATENT DOCUMENTS**

D704,984	S	*	5/2014	Hollinger	.....	D7/376
D706,580	S	*	6/2014	Xie	.....	D7/378
D721,548	S	*	1/2015	Jin	.....	D7/665
D772,023	S	*	11/2016	Allende Fritsch	.....	D7/665
D867,051	S	*	11/2019	McConnell	.....	D7/372
D892,552	S	*	8/2020	Liu	.....	D7/381
D914,466	S	*	3/2021	Bao	.....	D7/665
D932,236	S	*	10/2021	Leppert	.....	D7/372
D968,913	S	*	11/2022	Shen	.....	D7/665
11,577,255	B2	*	2/2023	She	.....	B02C 18/305

(Continued)

*Primary Examiner* — Ricky Pham

(74) *Attorney, Agent, or Firm* — Westbridge IP LLC

(57) **CLAIM**

The ornamental design for a noodle squeezer, as shown and described.

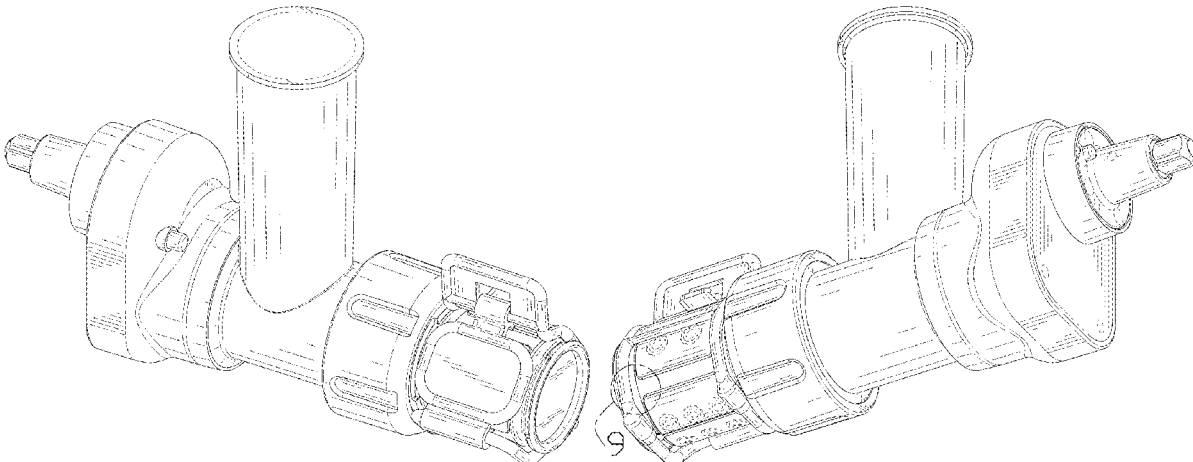
**DESCRIPTION**

FIG. 1 is a front perspective view of a noodle squeezer showing our new design;  
FIG. 2 is a rear perspective view thereof;  
FIG. 3 is a front elevation view thereof;  
FIG. 4 is a rear elevation view thereof;  
FIG. 5 is a left side elevation view thereof;  
FIG. 6 is a right side elevation view thereof;  
FIG. 7 is a top plan view thereof;  
FIG. 8 is a bottom plan view thereof; and,  
FIG. 9 is a partial enlarged view taken from circle 9 in FIG. 2.

The dash-dash broken lines in the drawings illustrate the portions of the noodle squeezer which form no part of the claimed design.

The dot-dash broken lines in the drawings are included for the purpose of illustrating the partial enlarged views.

**1 Claim, 9 Drawing Sheets**



(56)

**References Cited**

U.S. PATENT DOCUMENTS

D983,622	S	*	4/2023	Ni	.....	D7/665
2016/0236202	A1	*	8/2016	Leonardi	.....	B02C 18/301
2017/0311759	A1	*	11/2017	Xue	.....	B02C 25/00

\* cited by examiner

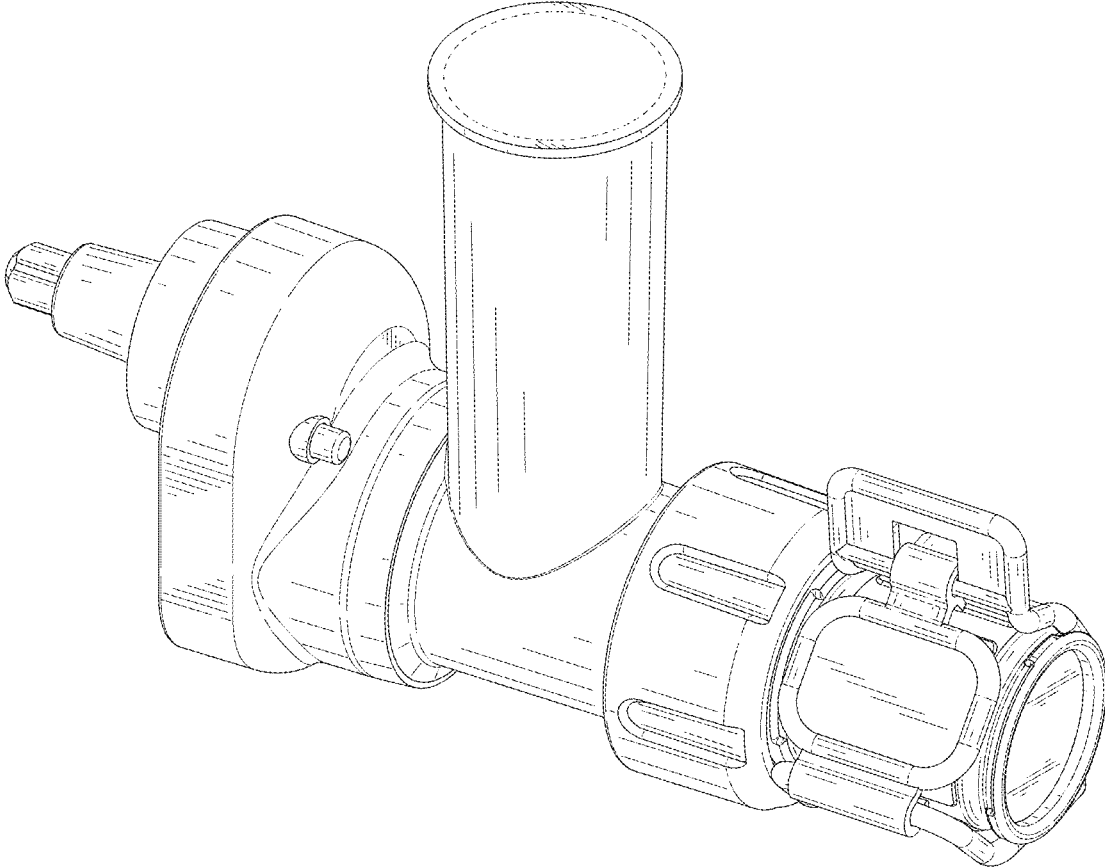


FIG. 1

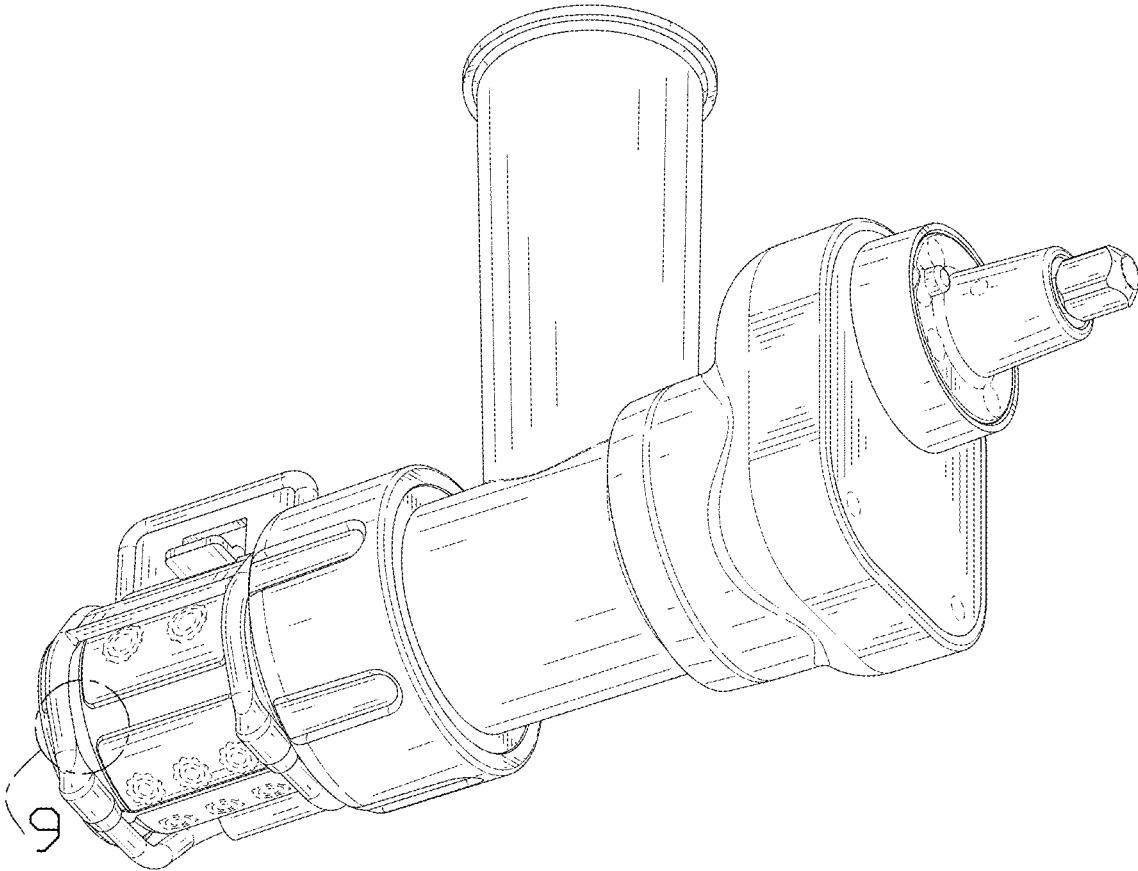


FIG. 2

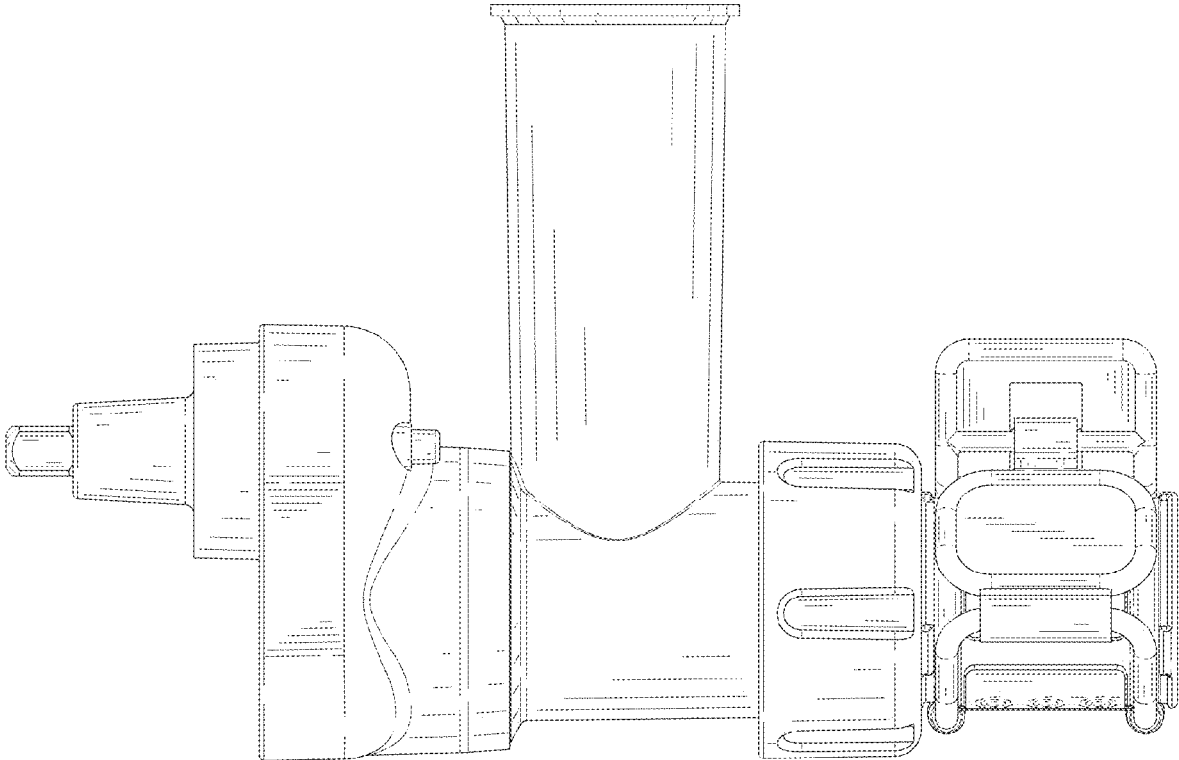


FIG. 3

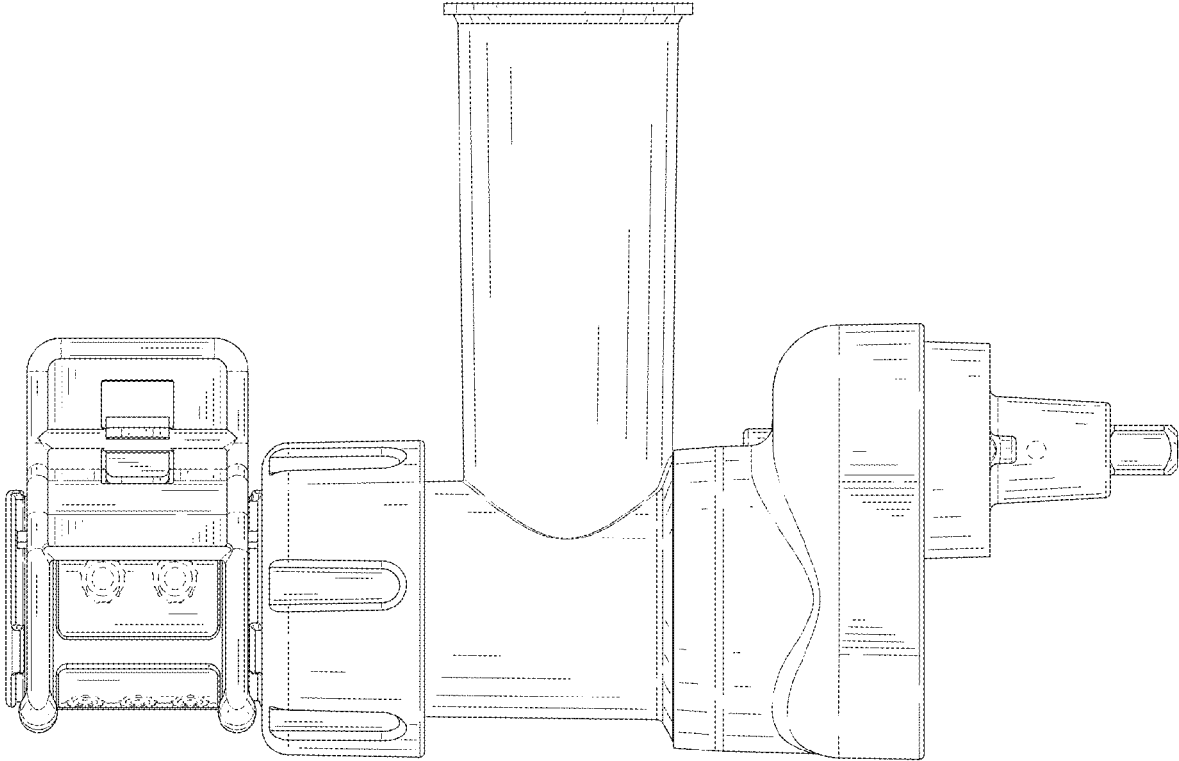


FIG. 4

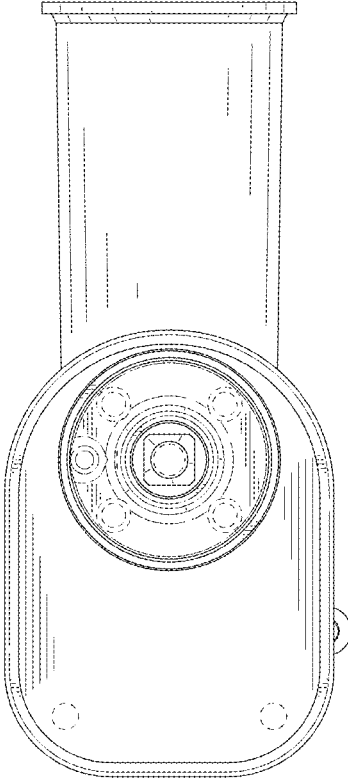


FIG. 5

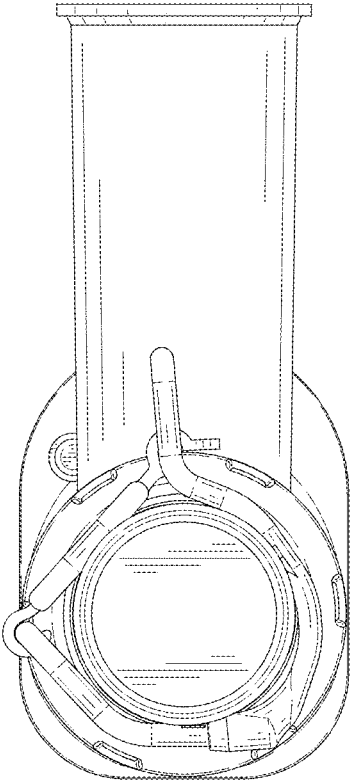


FIG. 6



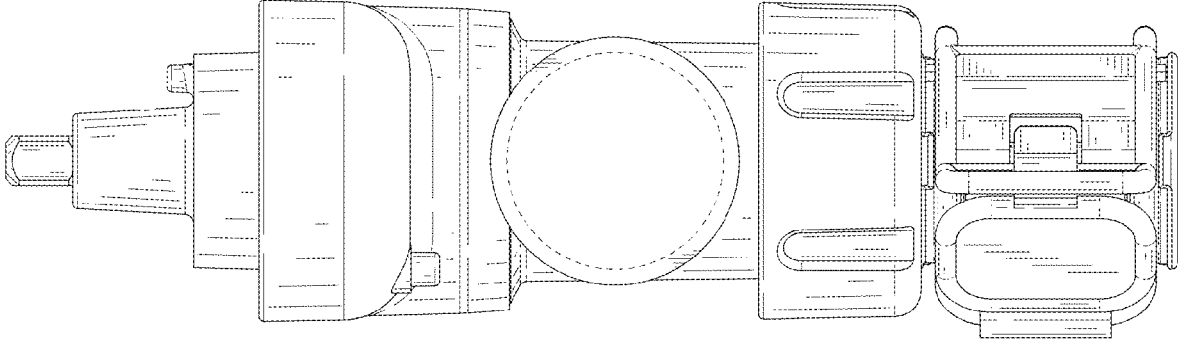


FIG. 7

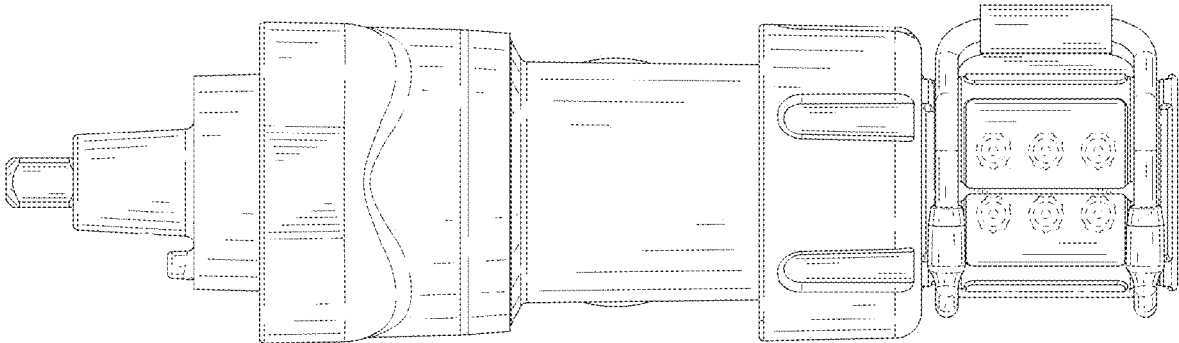


FIG. 8

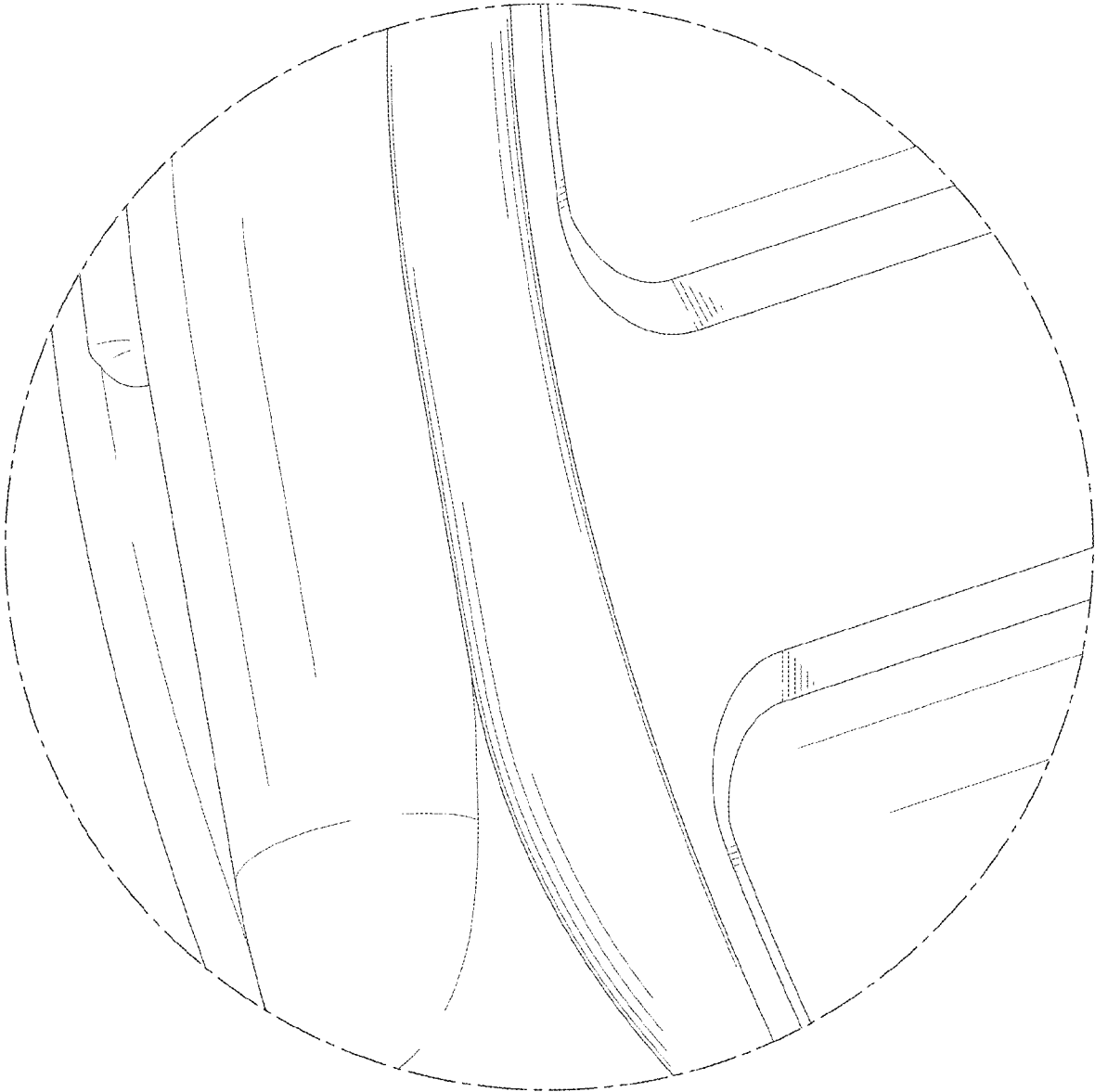


FIG. 9