



US00D929398S

(12) **United States Design Patent**
Lin

(10) **Patent No.:** **US D929,398 S**

(45) **Date of Patent:** **** Aug. 31, 2021**

(54) **SMART HOME HUB**

(71) Applicant: **AMBIT MICROSYSTEMS (SHANGHAI) LTD.**, Shanghai (CN)

(72) Inventor: **Chih-Ling Lin**, New Taipei (TW)

(73) Assignee: **AMBIT MICROSYSTEMS (SHANGHAI) LTD.**, Shanghai (CN)

(**) Term: **15 Years**

(21) Appl. No.: **29/700,802**

(22) Filed: **Aug. 6, 2019**

(51) **LOC (13) Cl.** **14-02**

(52) **U.S. Cl.**
USPC **D14/358**; D14/496; D14/240

(58) **Field of Classification Search**
USPC D14/140, 140.1, 140.6, 240, 242, 125, D14/129, 130, 142, 155, 167, 168, 172, D14/188, 195, 299, 496, 197, 198, 230, D14/348, 351, 356, 357, 358, 449, 450, D14/336; D13/110, 123, 152, 158, 162, D13/162.1, 163, 184, 199, 108, 179; D10/104.1, 106.1, 106.6, 116.1, 61, 64, D10/75, 106.9, 106.95

CPC G06F 1/1601
See application file for complete search history.

D693,314 S * 11/2013 McKeage D13/162
D702,658 S * 4/2014 Kim D14/126
D749,564 S * 2/2016 Cho D14/341
D755,783 S * 5/2016 Shi D14/336
D767,508 S * 9/2016 Dimberg D13/168
D784,270 S * 4/2017 Bhattacharya D13/162
D811,383 S * 2/2018 Diasabeygunawardena D14/336
D811,384 S * 2/2018 Diasabeygunawardena D14/336
D828,342 S * 9/2018 Chen D14/496
D850,440 S * 6/2019 Gentle D14/336
D857,007 S * 8/2019 Pitallano D14/307
D871,500 S * 12/2019 Balar D18/4.5
D889,456 S * 7/2020 Yao D14/129
D891,428 S * 7/2020 Taylor D14/371
D894,844 S * 9/2020 Boynton D13/162
D899,395 S * 10/2020 Pang D14/496
D905,027 S * 12/2020 Chang D14/240
D907,032 S * 1/2021 Solomon D14/336
2015/0198973 A1 * 7/2015 Le G06F 1/1601 248/688

* cited by examiner

Primary Examiner — Marie D. Fast Horse
(74) *Attorney, Agent, or Firm* — ScienBiziP, P.C.

(57) **CLAIM**

The ornamental design for a smart home hub, as shown and described.

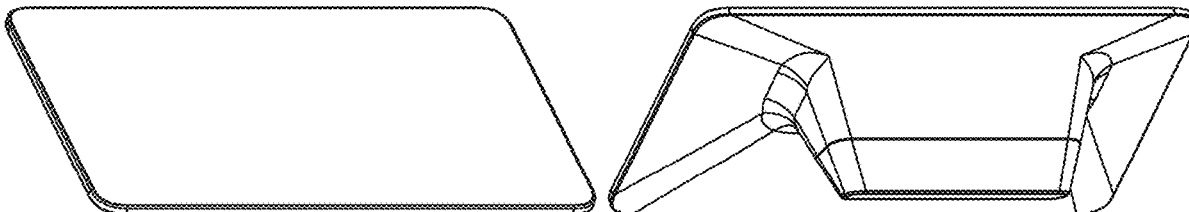
DESCRIPTION

FIG. 1 is a perspective view of a smart home hub;
FIG. 2 is another perspective view of the smart home hub;
FIG. 3 is a front elevational view thereof;
FIG. 4 is a rear elevational view thereof
FIG. 5 is a left side elevational view thereof;
FIG. 6 is a right side elevational view thereof;
FIG. 7 is a top plan view thereof; and,
FIG. 8 is a bottom plan view thereof.

1 Claim, 8 Drawing Sheets

(56) **References Cited**
U.S. PATENT DOCUMENTS

D335,963 S * 6/1993 Tracey D6/300
D608,547 S * 1/2010 Peng D6/310
D654,450 S * 2/2012 McManigal D14/129
D661,266 S * 6/2012 Laube D14/126
D661,671 S * 6/2012 Laube D14/126
D689,483 S * 9/2013 Wu D14/358
D691,818 S * 10/2013 Shibata D6/308



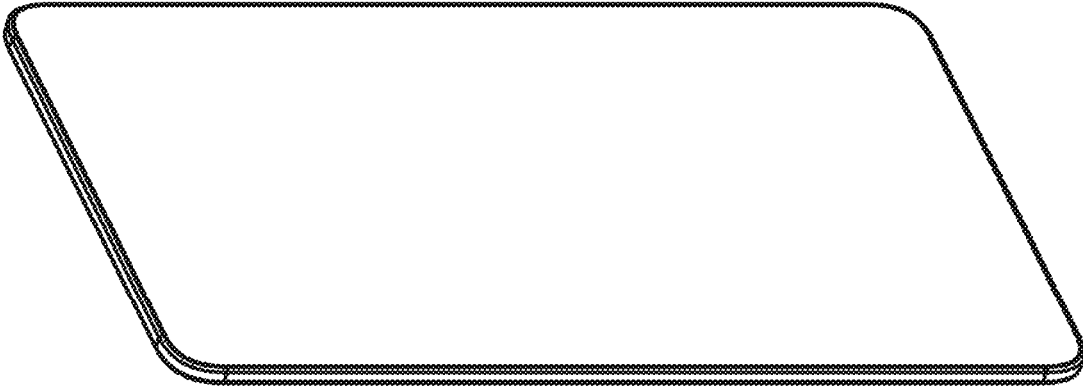


FIG. 1

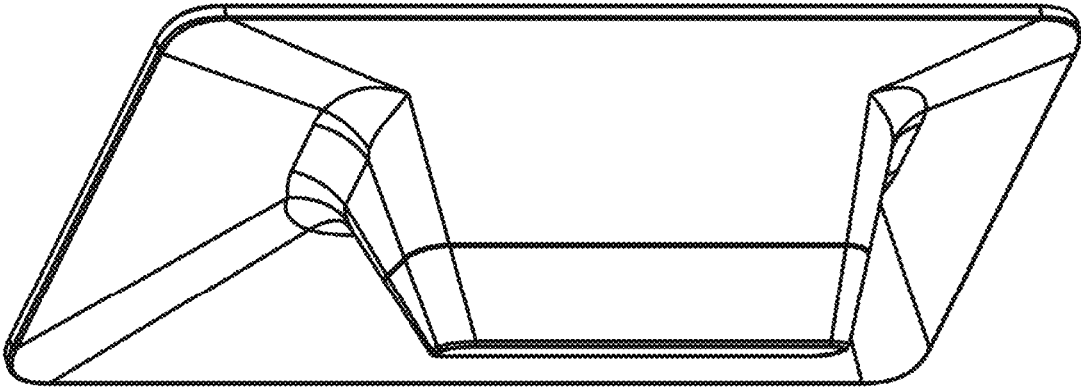


FIG. 2



FIG. 3

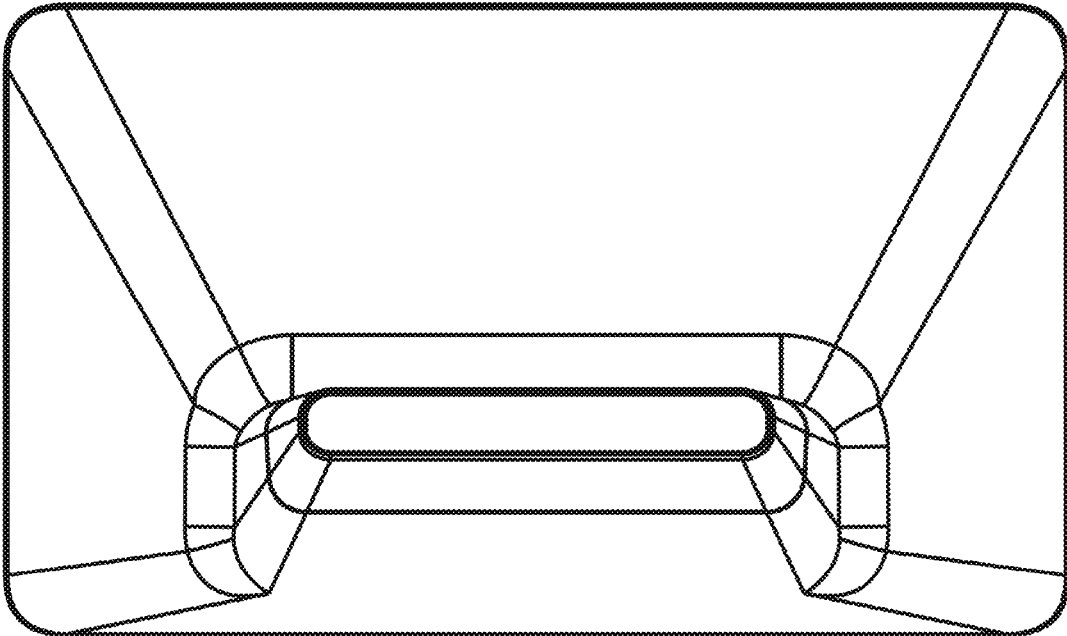


FIG. 4

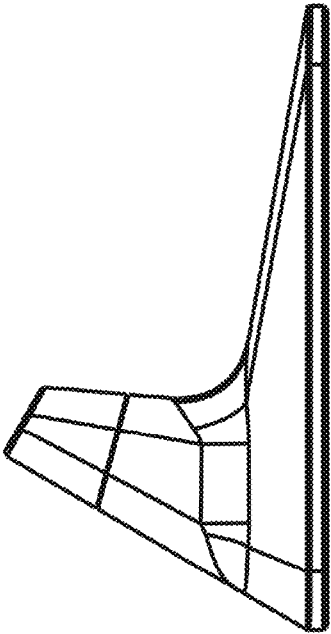


FIG. 5

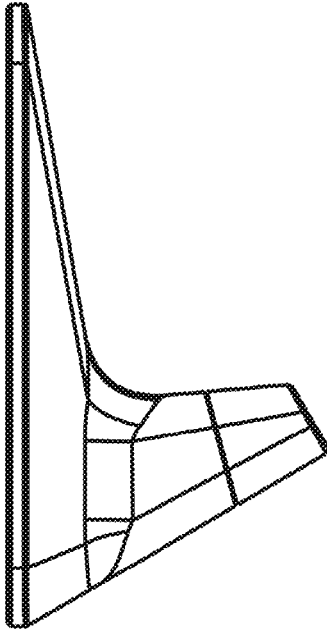


FIG. 6

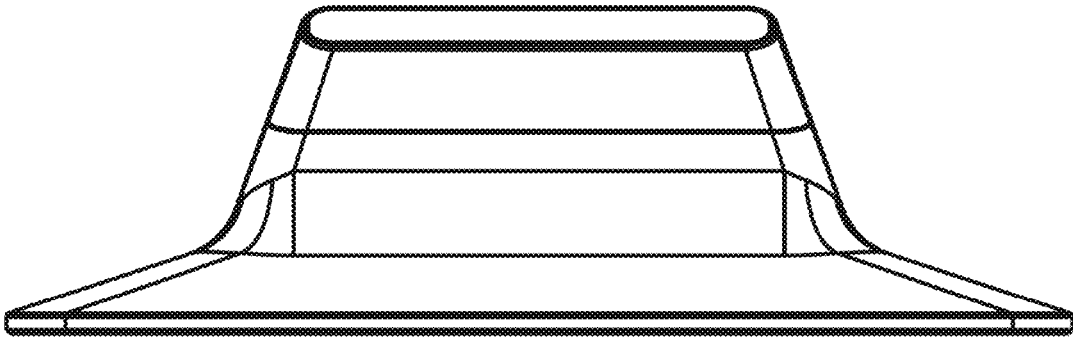


FIG. 7

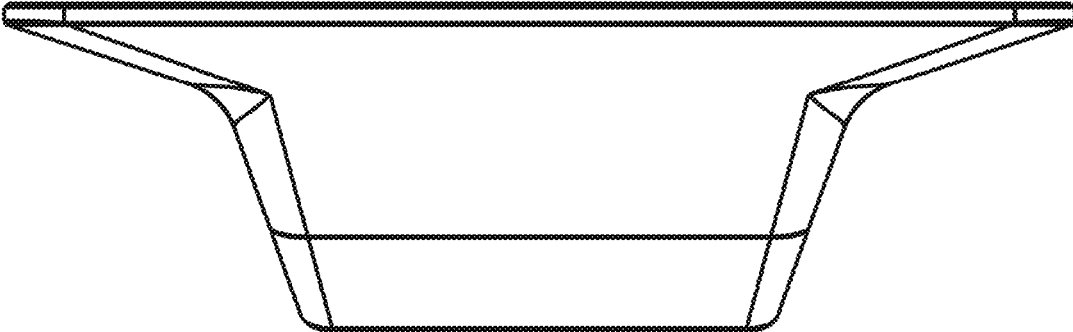


FIG. 8