



US00D681361S

(12) **United States Design Patent**
Silver et al.

(10) **Patent No.:** **US D681,361 S**

(45) **Date of Patent:** **** May 7, 2013**

(54) **SOFA**

(75) Inventors: **Martin Silver**, Boca Raton, FL (US);
Joshua Silver, Boca Raton, FL (US)

(73) Assignee: **Max Home, LLC**, Fulton, MI (US)

(**) Term: **14 Years**

(21) Appl. No.: **29/355,093**

(22) Filed: **Feb. 2, 2010**

(51) **LOC (9) Cl.** **06-01**

(52) **U.S. Cl.**

USPC **D6/377**

(58) **Field of Classification Search** D6/361,
D6/334-335, 371, 373, 377, 381, 500-502;
297/445.1, 446.1, 232-233, 184.1; 5/12.1
See application file for complete search history.

(56) **References Cited**

U.S. PATENT DOCUMENTS

D174,584 S *	4/1955	Michlin	D6/377
D181,738 S *	12/1957	Lubberts et al.	D6/377
D240,481 S *	7/1976	Fister, Jr.	D6/378
D245,951 S *	10/1977	Lande	D6/336
D290,559 S *	6/1987	Rafferty	D6/381
D311,283 S *	10/1990	Warren	D6/378
D339,246 S *	9/1993	Hutton	D6/377
D388,630 S *	1/1998	Lowman et al.	D6/381
D404,930 S *	2/1999	Gibson	D6/377
D484,712 S *	1/2004	Gomez	D6/377
D484,713 S *	1/2004	Gomez	D6/381
D485,086 S *	1/2004	Gomez	D6/381
D518,302 S *	4/2006	Tapinassi et al.	D6/361
D539,559 S *	4/2007	Policcchio	D6/381
D547,967 S *	8/2007	Oldham	D6/381

D552,870 S *	10/2007	Natuzzi	D6/381
D562,021 S *	2/2008	Smith et al.	D6/381
D562,022 S *	2/2008	Hackethal et al.	D6/381
D566,417 S *	4/2008	Mourgue	D6/381
D576,820 S *	9/2008	Priestman	D6/381
D587,029 S *	2/2009	Mourgue	D6/381
D593,765 S *	6/2009	Mourgue	D6/381
D600,042 S *	9/2009	Natuzzi	D6/381
D646,499 S *	10/2011	Metcalfe et al.	D6/378
D647,317 S *	10/2011	Urquiola	D6/377
D654,284 S *	2/2012	Messenger	D6/378
D656,327 S *	3/2012	Metcalfe et al.	D6/349

* cited by examiner

Primary Examiner — Kelley Donnelly

(74) *Attorney, Agent, or Firm* — Baker Donelson Bearman
Caldwell & Berkowitz, PC

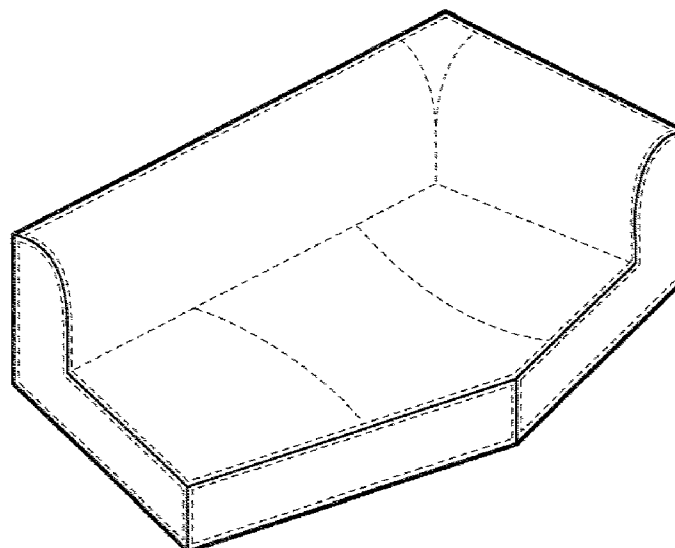
(57) **CLAIM**

The ornamental design for a sofa, as shown and described.

DESCRIPTION

FIG. 1 is a perspective view of our new design for a sofa;
 FIG. 2 is a front elevational view thereof;
 FIG. 3 is a back elevational view thereof;
 FIG. 4 is a right elevational side view thereof;
 FIG. 5 is a top plan view thereof;
 FIG. 6 is a left elevational view thereof;
 FIG. 7 is a top plan view of a sofa showing a second embodiment of the design shown in FIG. 1; and,
 FIG. 8 is a top plan view of a sofa showing a third embodiment of the design shown in FIG. 1.
 The broken lines showing is included for the purpose of illustrating environment and forms no part of the claimed design.

1 Claim, 3 Drawing Sheets



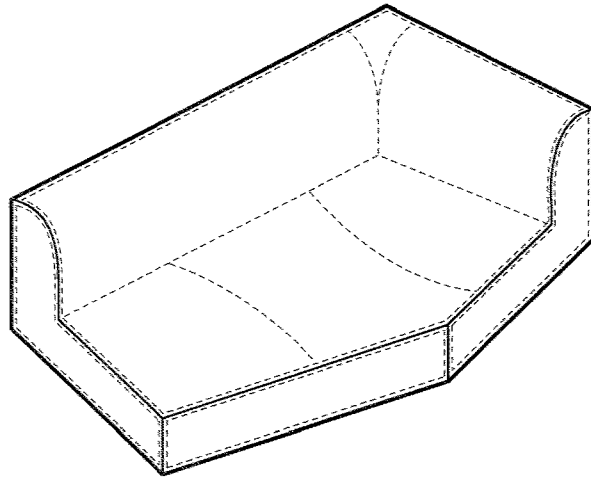


FIG. 1

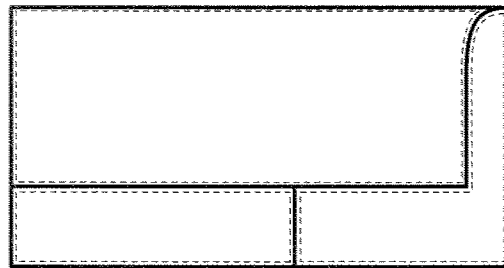


FIG. 2



FIG. 3

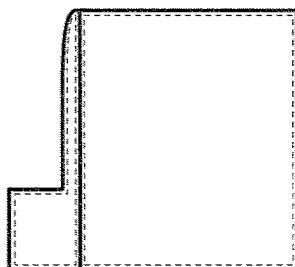


FIG. 4

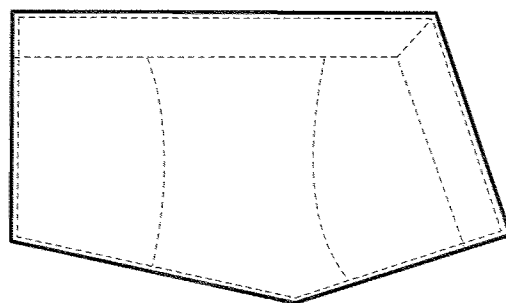


FIG. 5

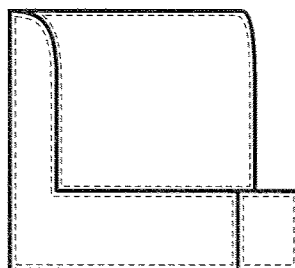


FIG. 6

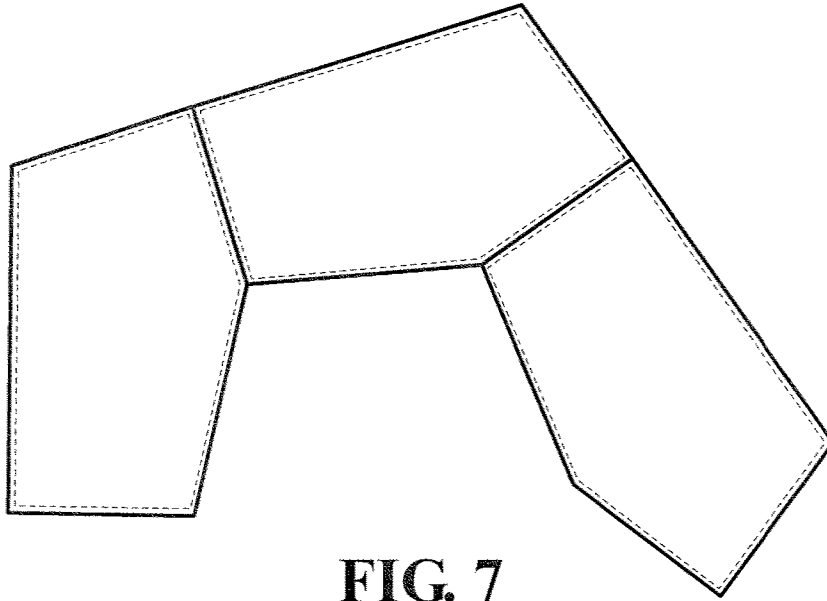


FIG. 7

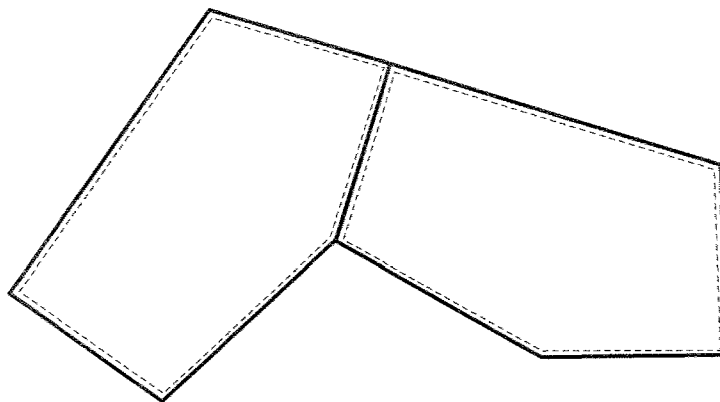


FIG. 8