

(19) World Intellectual Property Organization
International Bureau



(43) International Publication Date
16 March 2006 (16.03.2006)

PCT

(10) International Publication Number
WO 2006/029113 A3

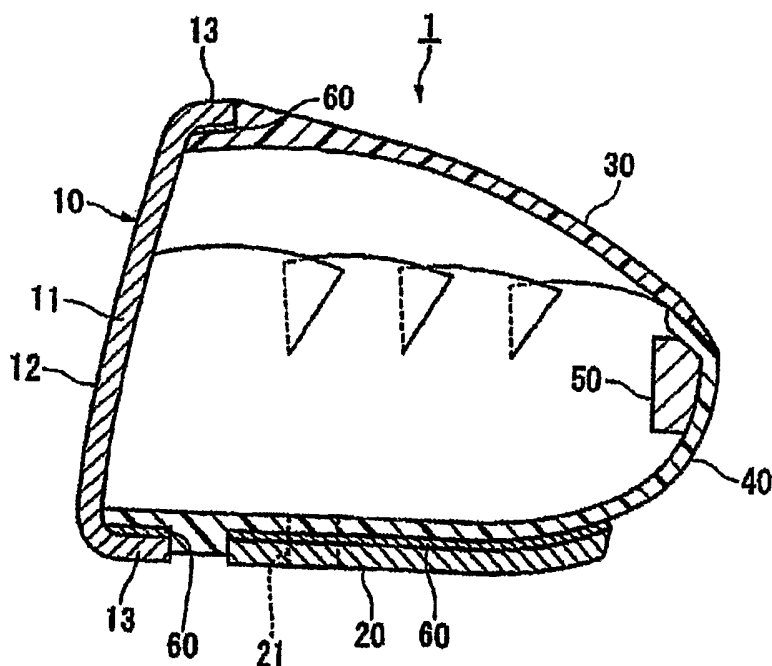
- (51) International Patent Classification:
A63B 53/04 (2006.01)
- (21) International Application Number:
PCT/US2005/031611
- (22) International Filing Date:
7 September 2005 (07.09.2005)
- (25) Filing Language: English
- (26) Publication Language: English
- (30) Priority Data:
10/935,744 8 September 2004 (08.09.2004) US
- (71) Applicant (for JP, KR only): NIKE, INC. [US/US]; One Bowerman Drive, Beaverton, OR 97005 (US).
- (71) Applicant (for all designated States except JP, KR, US): NIKE INTERNATIONAL LTD. [GB/US]; One Bowerman Drive, Beaverton, OR 97005 (US).
- (71) Applicant (for all designated States except US): MITSUBISHI RAYON CO. LTD. [JP/JP]; 6-41, Konan 1-chome, Minato-ku 108-8506 (JP).
- (72) Inventors; and
- (75) Inventors/Applicants (for US only): KAWAGUCHI, Hiroshi [JP/US]; 3262 Chapel Creek Blvd., Forth Worth, TX 76116 (US). KELLY, Michael, F. [US/US]; 5690 NW 164th Avenue, Portland, OR 97229 (US). KODAMA, Hitoshi [JP/JP]; c/o Toyohashi Plants, Mitsubishi Rayon Co. Ltd, 1-2, Ushikawadori 4-chome, Toyohashi-shi, Aichi

- 440-8601 (JP). TAKANO, Tsuneo [JP/JP]; c/o Toyohashi Plants, Mitsubishi Rayon Co., Ltd., 1-2, Ushikawadori 4-chome, Toyohashi-shi, Aichi 440-8601 (JP).
- (74) Agent: RAUCHHOLZ, William, F.; Banner & Witcoff, Ltd., 11th Floor, 1001 G Street, NW, Washington, D.C. 20001-4597 (US).
- (81) Designated States (unless otherwise indicated, for every kind of national protection available): AE, AG, AL, AM, AT, AU, AZ, BA, BB, BG, BR, BW, BY, BZ, CA, CH, CN, CO, CR, CU, CZ, DE, DK, DM, DZ, EC, EE, EG, ES, FI, GB, GD, GE, GH, GM, HR, HU, ID, IL, IN, IS, JP, KE, KG, KM, KP, KR, KZ, LC, LK, LR, LS, LT, LU, LV, MA, MD, MG, MK, MN, MW, MX, MZ, NA, NG, NI, NO, NZ, OM, PG, PH, PL, PT, RO, RU, SC, SD, SE, SG, SK, SL, SM, SY, TJ, TM, TN, TR, TT, TZ, UA, UG, US, UZ, VC, VN, YU, ZA, ZM, ZW.
- (84) Designated States (unless otherwise indicated, for every kind of regional protection available): ARIPO (BW, GH, GM, KE, LS, MW, MZ, NA, SD, SL, SZ, TZ, UG, ZM, ZW), Eurasian (AM, AZ, BY, KG, KZ, MD, RU, TJ, TM), European (AT, BE, BG, CH, CY, CZ, DE, DK, EE, ES, FI, FR, GB, GR, HU, IE, IS, IT, LT, LU, LV, MC, NL, PL, PT, RO, SE, SI, SK, TR), OAPI (BF, BJ, CF, CG, CI, CM, GA, GN, GQ, GW, ML, MR, NE, SN, TD, TG).

Published:
— with international search report

[Continued on next page]

(54) Title: GOLF CLUBS AND GOLF CLUB HEADS



(57) Abstract: A golf club head enables the initial velocity of a ball to be increased and enables the carry to be lengthened. In some example structures, the golf club includes a face plate formed from metal and club head body (e.g., a crown and sole) formed from fiber reinforced plastic. A weighted body is provided inside the rearmost portion of the golf club head and a low rigidity portion whose width becomes gradually narrower as it approaches the rearmost portion is provided in the crown extending from the vicinity of the face plate to the rearmost portion.

WO 2006/029113 A3



— *before the expiration of the time limit for amending the claims and to be republished in the event of receipt of amendments*

For two-letter codes and other abbreviations, refer to the "Guidance Notes on Codes and Abbreviations" appearing at the beginning of each regular issue of the PCT Gazette.

(88) Date of publication of the international search report:

26 May 2006

INTERNATIONAL SEARCH REPORT

International application No
PCT/US2005/031611

A. CLASSIFICATION OF SUBJECT MATTER
A63B53/04

According to International Patent Classification (IPC) or to both national classification and IPC

B. FIELDS SEARCHED

Minimum documentation searched (classification system followed by classification symbols)
A63B

Documentation searched other than minimum documentation to the extent that such documents are included in the fields searched

Electronic data base consulted during the international search (name of data base and, where practical, search terms used)
EPO-Internal, WPI Data, PAJ

C. DOCUMENTS CONSIDERED TO BE RELEVANT

Category*	Citation of document, with indication, where appropriate, of the relevant passages	Relevant to claim No.
X	PATENT ABSTRACTS OF JAPAN vol. 016, no. 310 (C-0960), 8 July 1992 (1992-07-08) & JP 04 089071 A (YAMAHA CORP), 23 March 1992 (1992-03-23) abstract	1-6, 11, 13-22, 27, 29-39
X	US 2003/083151 A1 (NAKAHARA ET AL.) 1 May 2003 (2003-05-01) paragraph [0017] - paragraph [0023]; figures 1-3	1-4, 6, 10-20, 22, 26-34

Further documents are listed in the continuation of Box C.

See patent family annex.

- * Special categories of cited documents :
 - *A* document defining the general state of the art which is not considered to be of particular relevance
 - *E* earlier document but published on or after the international filing date
 - *L* document which may throw doubts on priority claim(s) or which is cited to establish the publication date of another citation or other special reason (as specified)
 - *O* document referring to an oral disclosure, use, exhibition or other means
 - *P* document published prior to the international filing date but later than the priority date claimed
 - *T* later document published after the international filing date or priority date and not in conflict with the application but cited to understand the principle or theory underlying the invention
 - *X* document of particular relevance; the claimed invention cannot be considered novel or cannot be considered to involve an inventive step when the document is taken alone
 - *Y* document of particular relevance; the claimed invention cannot be considered to involve an inventive step when the document is combined with one or more other such documents, such combination being obvious to a person skilled in the art.
 - *Z* document member of the same patent family

Date of the actual completion of the international search 30 March 2006	Date of mailing of the international search report 06/04/2006
--	--

Name and mailing address of the ISA/ European Patent Office, P.B. 5818 Patentlaan 2 NL - 2280 HV Rijswijk Tel. (+31-70) 340-2040, Tx. 31 651 epo nl, Fax: (+31-70) 340-3016	Authorized officer Williams, M
---	---------------------------------------

INTERNATIONAL SEARCH REPORT

International application No

PCT/US2005/031611

C(Continuation). DOCUMENTS CONSIDERED TO BE RELEVANT		
Category*	Citation of document, with indication, where appropriate, of the relevant passages	Relevant to claim No.
X	WO 2004/043550 A (VYATEK SPORTS, INC) 27 May 2004 (2004-05-27)	1, 6-9, 12, 17-25, 28, 33, 34
A	page 3, line 32 - page 9, line 34; figures 1-6	35-39
X	US 2004/053705 A1 (KUMAMOTO) 18 March 2004 (2004-03-18)	19-22, 26, 29, 33-39
A	paragraph [0021] - paragraph [0036]; figures 1-6	1-4, 6, 10, 17, 18
X	US 5 255 913 A (TSUCHIDA) 26 October 1993 (1993-10-26)	19-22, 26-34
A	column 2, line 17 - column 4, line 55; figures 1-5	1-4, 6, 10-18
X	US 2004/116208 A1 (DE SHIELL ET AL.) 17 June 2004 (2004-06-17)	19-22, 27-34, 37, 38
A	paragraph [0033] - paragraph [0049]; figures 1-7	1-7, 9-11, 17, 18, 35
X	PATENT ABSTRACTS OF JAPAN vol. 2003, no. 12, 5 December 2003 (2003-12-05) -& JP 2003 265657 A (SUMITOMO RUBBER IND LTD), 24 September 2003 (2003-09-24) abstract	19-25, 28, 33, 34
X	PATENT ABSTRACTS OF JAPAN vol. 2003, no. 12, 5 December 2003 (2003-12-05) -& JP 2004 008409 A (SUMITOMO RUBBER IND LTD), 15 January 2004 (2004-01-15) abstract	19-22, 33, 34
A	abstract	26
X	US 2003/148822 A1 (KNUTH) 7 August 2003 (2003-08-07) paragraph [0041] - paragraph [0044]; figures 2, 5	19, 20, 22, 33, 34
A	US 2002/108735 A1 (KUO) 15 August 2002 (2002-08-15)	

INTERNATIONAL SEARCH REPORT

Information on patent family members

International application No
PCT/US2005/031611

Patent document cited in search report	A	Publication date	Patent family member(s)	Publication date
JP 04089071	A	23-03-1992	NONE	
US 2003083151	A1	01-05-2003	NONE	
WO 2004043550	A	27-05-2004	AU 2003287728 A1	03-06-2004
US 2004053705	A1	18-03-2004	JP 2004089268 A	25-03-2004
US 5255913	A	26-10-1993	NONE	
US 2004116208	A1	17-06-2004	US 2004116207 A1	17-06-2004
JP 2003265657	A	24-09-2003	NONE	
JP 2004008409	A	15-01-2004	NONE	
US 2003148822	A1	07-08-2003	US 6659885 B1	09-12-2003
US 2002108735	A1	15-08-2002	NONE	