



US00D963207S

(12) **United States Design Patent**
King

(10) **Patent No.:** **US D963,207 S**

(45) **Date of Patent:** **** Sep. 6, 2022**

- (54) **LAMP**
- (71) Applicant: **BDZ Investments Ltd**, Newbury (GB)
- (72) Inventor: **John King**, Newbury (GB)
- (73) Assignee: **BDZ INVESTMENTS LTD**, Newbury (GB)
- (**) Term: **15 Years**
- (21) Appl. No.: **29/699,675**
- (22) Filed: **Jul. 28, 2019**
- (30) **Foreign Application Priority Data**

D590,528 S *	4/2009	Supiot	D26/37
D625,877 S *	10/2010	Hsu	D26/80
D629,369 S *	12/2010	Lin	D13/180
D630,172 S *	1/2011	Lin	D13/180
D630,777 S *	1/2011	Lee	D26/24
D635,529 S *	4/2011	Hsu	D13/180
D665,365 S *	8/2012	Lee	D13/180
D697,877 S *	1/2014	Hsu	D13/180
D709,211 S *	7/2014	Calvin	D26/24
D710,316 S *	8/2014	Ikeda	D13/180
D718,726 S *	12/2014	Lo	D13/180
D742,554 S *	11/2015	Kanemaru	D26/1
D813,436 S *	3/2018	Verelst	D26/72
D851,790 S *	6/2019	Reiherzer	D26/24
D865,226 S *	10/2019	Liu	D26/1
D890,961 S *	7/2020	Reiherzer	D26/24
D929,620 S *	8/2021	Wu	D26/24
D930,857 S *	9/2021	Nakabayashi	H01L 33/62 D26/1

Jan. 29, 2019 (EM) 006108122-0001

- (51) **LOC (13) Cl.** **26-03**
- (52) **U.S. Cl.**
USPC **D26/24**
- (58) **Field of Classification Search**
USPC ... D26/1, 24, 25, 37, 38, 51, 60, 70, 72, 76,
D26/80, 118, 120; D21/398, 478, 479,
D21/484
CPC F21S 6/00; F21S 6/002; F21S 6/003; F21S
2/005; F21S 8/046; F21Y 2105/10; F21Y
2105/12; F21Y 2105/14; F21Y 2105/16;
F21Y 2105/18; F21Y 2103/10; F21Y
2103/20; F21Y 2115/10; F21Y 2113/00;
F21Y 2113/20; F21V 21/00; F21V 21/005
See application file for complete search history.

(56) **References Cited**

U.S. PATENT DOCUMENTS

D475,355 S *	6/2003	Hori	D13/182
D548,384 S *	8/2007	Komar	D26/37
D578,084 S *	10/2008	Kobayakawa	D13/180
D578,969 S *	10/2008	Kobayakawa	D13/180

(Continued)

Primary Examiner — Wan Laymon

Assistant Examiner — Clint A Samuel

(74) *Attorney, Agent, or Firm* — McClure, Qualey & Rodack, LLP

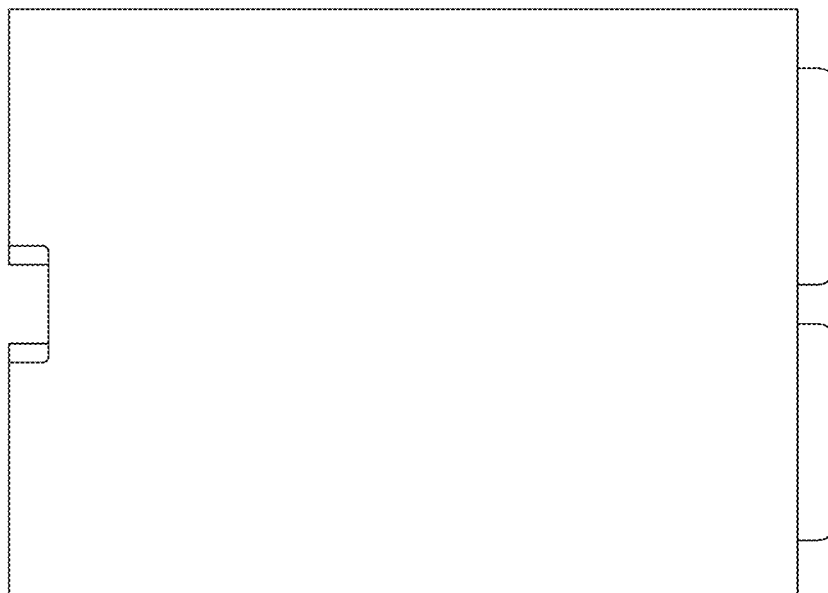
(57) **CLAIM**

The ornamental design for a lamp, as shown and described.

DESCRIPTION

FIG. 1 is a top view of a lamp, showing our new design, with the bottom view (not shown) being a mirror image thereof; FIG. 2 is a side view thereof, with the opposite side view (not shown) being a mirror image thereof; FIG. 3 is a front view thereof; FIG. 4 is a perspective view from above, front and to one side; FIG. 5 is a back view thereof; and, FIG. 6 is a perspective view from above, back and to one side.

1 Claim, 3 Drawing Sheets



(56)

References Cited

U.S. PATENT DOCUMENTS

2012/0062152 A1* 3/2012 Sanfilippo F21S 2/005
315/312

* cited by examiner

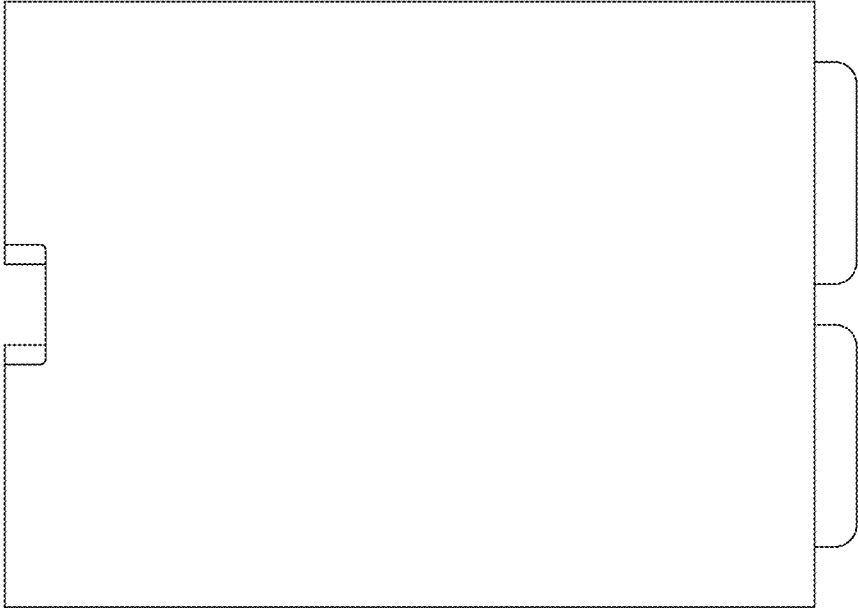


FIG. 1

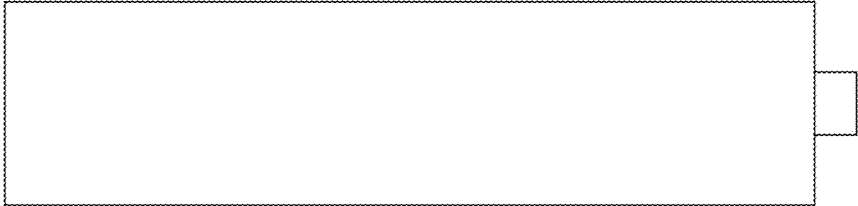


FIG. 2

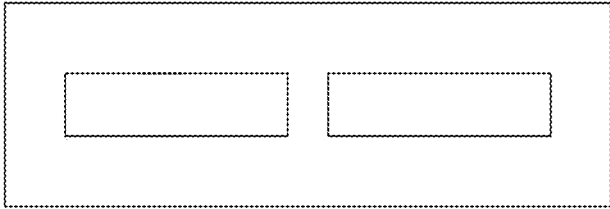


FIG. 3

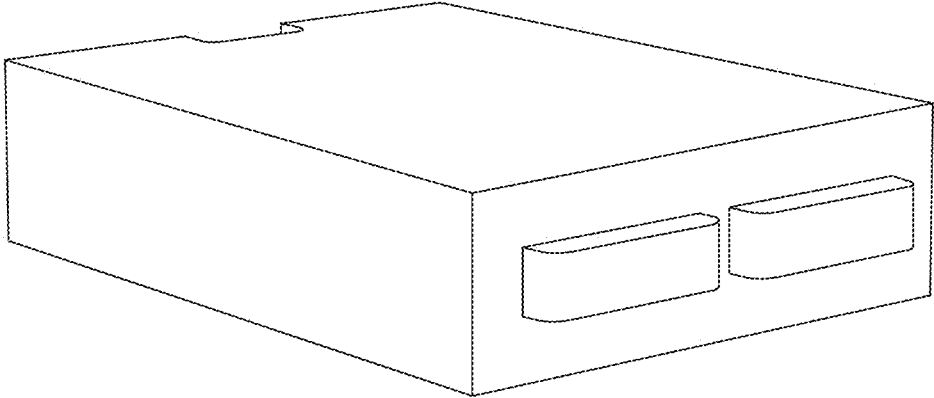


FIG. 4

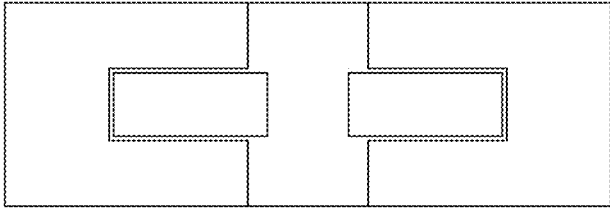


FIG. 5

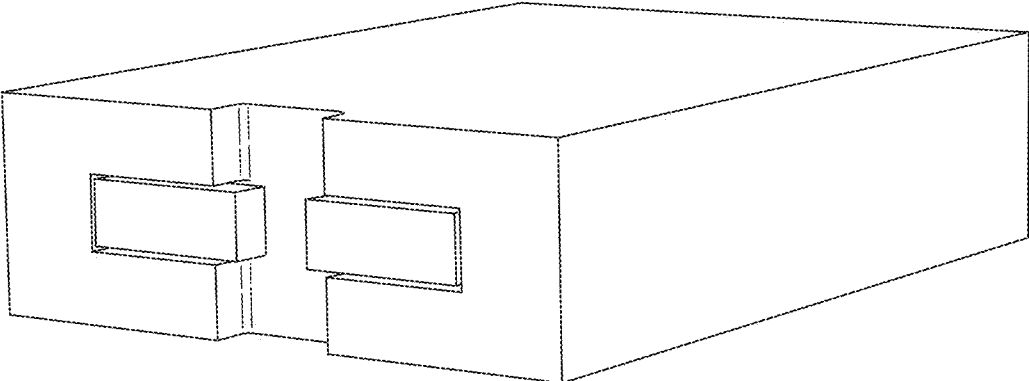


FIG. 6