



US00D865334S

(12) **United States Design Patent**  
**Kang**

(10) **Patent No.:** **US D865,334 S**

(45) **Date of Patent:** **\*\* Nov. 5, 2019**

(54) **DECORATIVE ELEMENT FOR HATS**

(71) Applicant: **Jinwoo Kang**, Busan (KR)

(72) Inventor: **Jinwoo Kang**, Busan (KR)

(\*\*) Term: **15 Years**

(21) Appl. No.: **35/505,844**

(22) Filed: **Apr. 11, 2018**

(80) **Hague Agreement Data**

Int. Filing Date: **Apr. 11, 2018**

Int. Reg. No.: **DM/101384**

Int. Reg. Date: **Apr. 11, 2018**

Int. Reg. Pub. Date: **Oct. 12, 2018**

(51) **LOC (12) Cl.** ..... **02-03**

(52) **U.S. Cl.**

USPC ..... **D2/891**

(58) **Field of Classification Search**

USPC ..... D2/865, 866, 869, 872, 874, 877, 880,  
D2/881, 882, 884, 891, 892, 893, 894,  
D2/895, 999; D11/220

CPC ..... A42B 1/00; A42B 1/002; A42B 1/004;  
A42B 1/006; A42B 1/02; A42B 1/062;  
A42B 1/064; A42B 1/205; A42B 1/22;  
A42B 1/24

See application file for complete search history.

(56) **References Cited**

**U.S. PATENT DOCUMENTS**

5,003,640 A \* 4/1991 Pizzacar ..... A42B 1/248  
2/181.4  
D342,595 S \* 12/1993 Day ..... D11/200

D373,454 S \* 9/1996 Ramirez ..... D2/891  
D412,937 S \* 8/1999 Franklin ..... D2/891  
D753,375 S \* 4/2016 Singletery ..... D2/891  
D753,905 S \* 4/2016 Singletery ..... D2/891  
D754,950 S \* 5/2016 Singletery ..... D2/891  
D754,951 S \* 5/2016 Singletery ..... D2/891  
D757,402 S \* 5/2016 White ..... D2/891  
D771,914 S \* 11/2016 Cho ..... D2/891  
D793,675 S \* 8/2017 Gates ..... D2/882  
2013/0111650 A1 \* 5/2013 Hong ..... A42B 1/225  
2/209.13

\* cited by examiner

*Primary Examiner* — Melanie Pellegrini

(57) **CLAIM**

The ornamental design for a decorative element for hats, as shown and described.

**DESCRIPTION**

1. Decorative element for hats

**1.1** : Perspective

**1.2** : Front

**1.3** : Back

**1.4** : Top

**1.5** : Bottom

**1.6** : Left

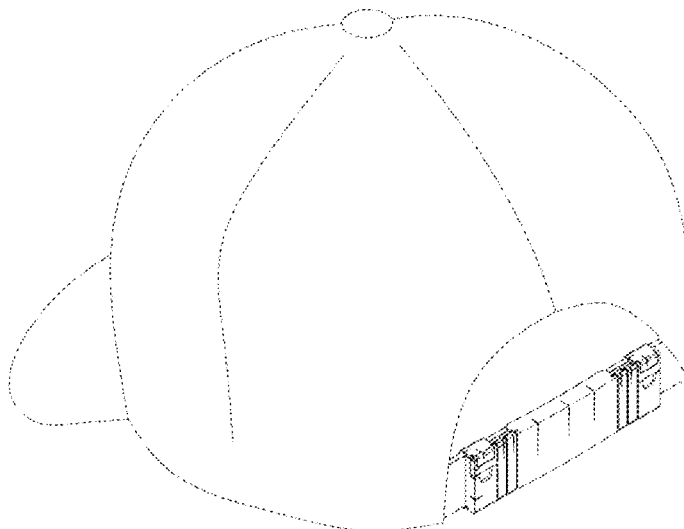
**1.7** : Right

**1.8** : Reference

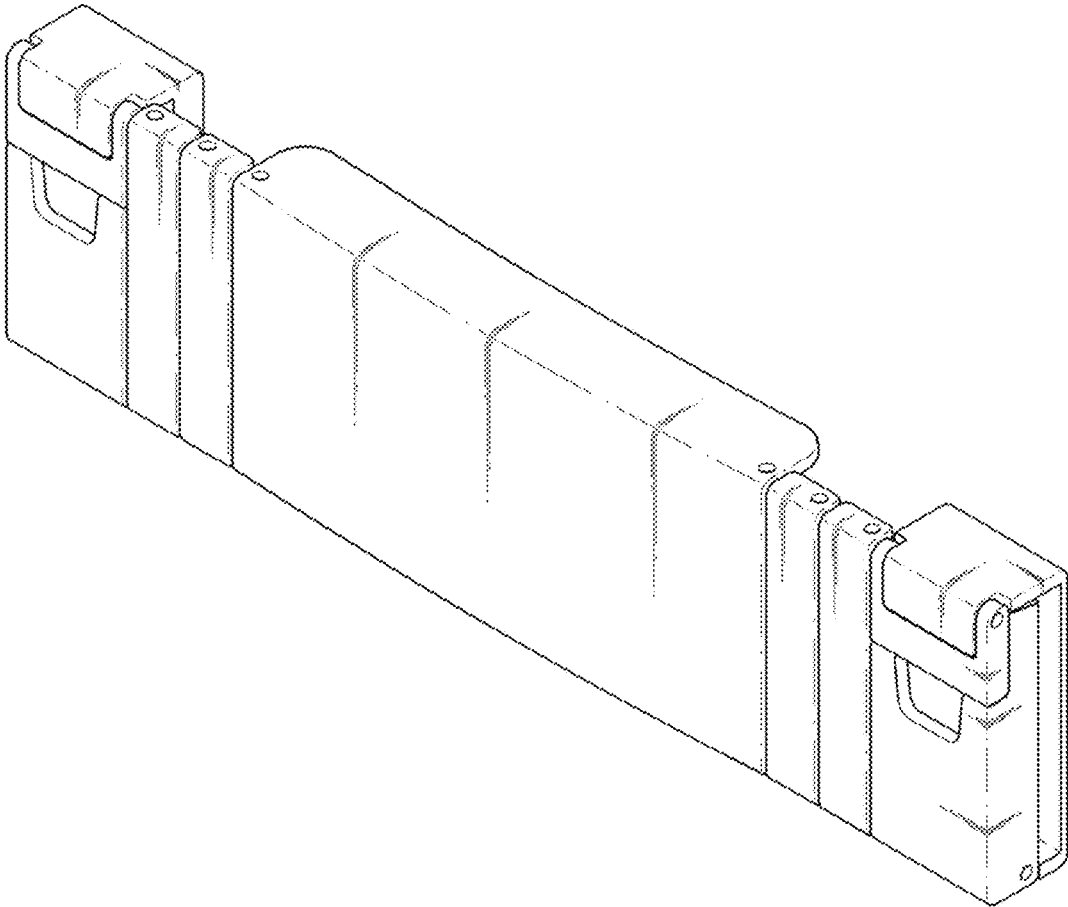
This design is made of metals or plastics and mounted on hat band, as shown in the reproduction **1.8**.

The broken lines shown in the drawings illustrate environment and form no part of the claimed design.

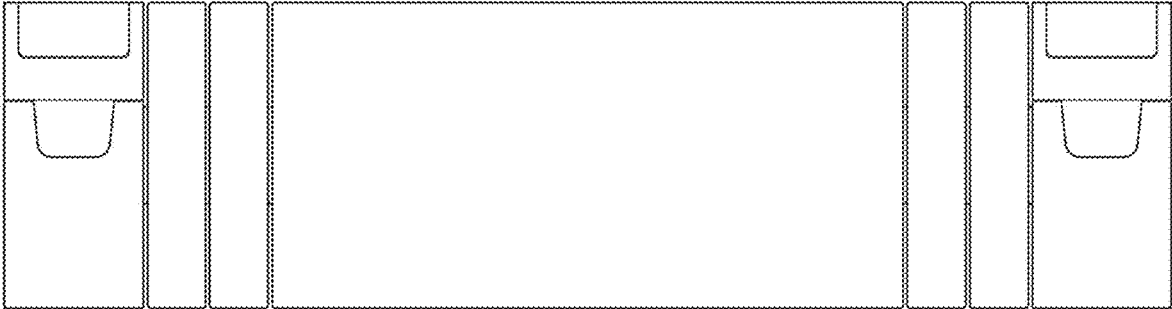
**1 Claim, 8 Drawing Sheets**



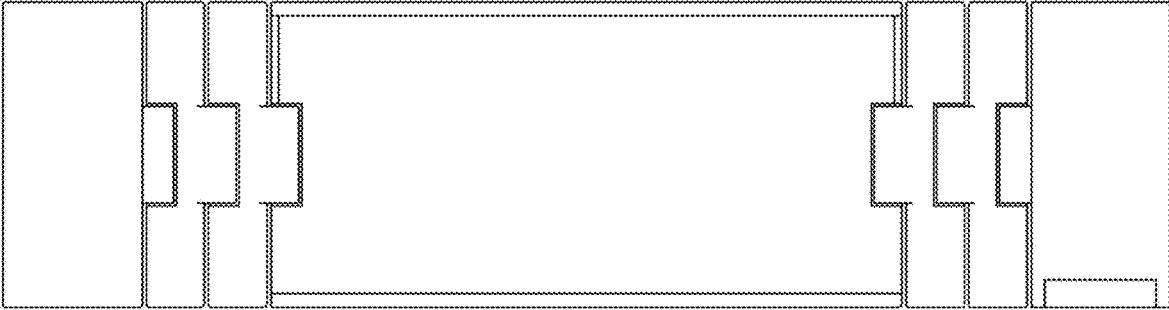
1.1



1.2



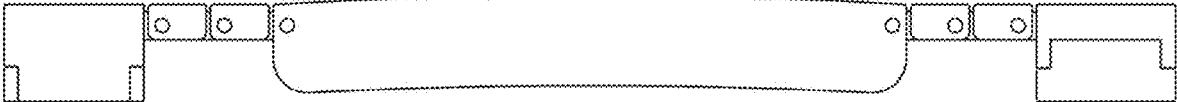
1.3



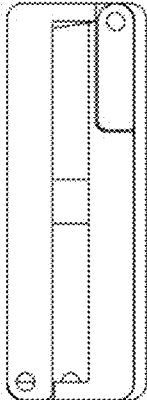
1.4



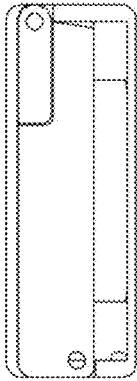
1.5



1.6



1.7





1.8

