



US00D473846S

(12) **United States Design Patent** (10) **Patent No.:** **US D473,846 S**  
**Hellwig et al.** (45) **Date of Patent:** **\*\* Apr. 29, 2003**

- (54) **POWER COLUMN**
- (75) Inventors: **John Hellwig**, Toronto (CA); **Steve Verbeek**, Aurora (CA); **Paul Crossland**, Brampton (CA); **Nicolas Koeppe**, Toronto (CA)
- (73) Assignee: **TK Canada Limited**, Downsview (CA)
- (\*\*) Term: **14 Years**
- (21) Appl. No.: **29/157,620**
- (22) Filed: **Mar. 25, 2002**
- (51) **LOC (7) Cl.** ..... **13-03**
- (52) **U.S. Cl.** ..... **D13/139.5**
- (58) **Field of Search** ..... D13/139.1-139.8;  
439/214, 650-654, 131, 536; 174/48, 49;  
52/220.1, 220.7

Brochure by USG Interiors, Inc., Chicago, Illinois entitled: Interior —The Freestanding Ceiling Tree.  
 Brochure by Samas Roneo Ltd., England entitled: Dynamics.  
 Brochure by REHAU Limited entitled: signo POL Power Poles & Posts.  
 The Wiremold Company, West Stanford, CT, Williamstown, WV; Ferguson, Ontario, Canada. The Only Way to Wire . . . Quick Selection Guide: Tele-Power Poles.  
 Wire Wizard, London, England. Ergonomic Workstations: Wire Wizard —Installation.

\* cited by examiner

*Primary Examiner*—Jennifer Rivard  
(74) *Attorney, Agent, or Firm*—Bereskin & Parr

(57) **CLAIM**

The ornamental Design for a power column, as shown and described.

- (56) **References Cited**
- U.S. PATENT DOCUMENTS**
- 4,015,397 A \* 4/1977 Flachbarth et al. .... 174/48
- D244,465 S \* 5/1977 Stoneman ..... D13/139.4
- 4,164,618 A \* 8/1979 Casasanta ..... 174/48
- 4,178,468 A \* 12/1979 Jorgensen et al. .... 174/48
- 4,218,579 A \* 8/1980 Joly ..... 174/48
- 5,186,337 A \* 2/1993 Foster et al. .... 174/48
- 5,318,259 A 6/1994 Fussler
- 5,794,392 A 8/1998 Forslund, III et al.
- 5,913,783 A 6/1999 Weener et al.
- D437,144 S \* 2/2001 Fear et al. .... D13/139.8

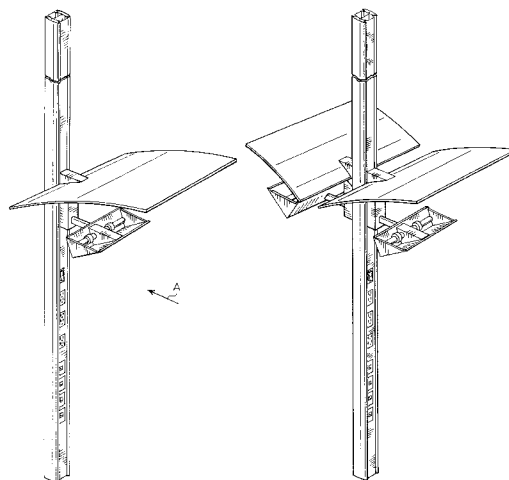
**OTHER PUBLICATIONS**

Brochure by Marshall Tufflex, East Sussex, England. Sterling Powerpoles and Posts —Bringing Services to Where You Really Want Them.  
 Brochure by Mabeg —Ferdinand—Babriel—Weg 10, D-59494 Soest.  
 Brochure by Vok —The Millennium Office. Printed by: FIWO 1st edition Jan. 1999.  
 Brochure by Frontline Service Poles —Tailor-made & Pre-wired. Technical Information/Planning Guide 1999:03. Thorsman & Co. (U.K.) Ltd.  
 Brochure by Oep Furniture Group PLC, Essex, England entitled: Meta-Data and Power Posts.

**DESCRIPTION**

FIG. 1 is a three-quarter perspective view of the power column in accordance with a first embodiment of our Design;  
 FIG. 2 is an elevational view from the left in FIG. 1;  
 FIG. 3 is an elevational view from the right in FIG. 1;  
 FIG. 4 is an elevational view in the direction of arrow A in FIG. 1;  
 FIG. 5 is an elevational view from the opposite side as compared with FIG. 4;  
 FIG. 6 is a top plan view;  
 FIG. 7 is a bottom plan view;  
 FIG. 8 is a three-quarter perspective illustrating a second embodiment of our Design;  
 FIG. 9 is an elevational view from the left in FIG. 8; the elevational view from the right is the same;  
 FIG. 10 is an elevational view from the right in FIG. 8; the elevational view from the opposite side is the same;  
 FIG. 11 is a top plan view; and,  
 FIG. 12 is a bottom plan view.  
 The claimed design is shown broken away to indicate indefinite length.

**1 Claim, 8 Drawing Sheets**



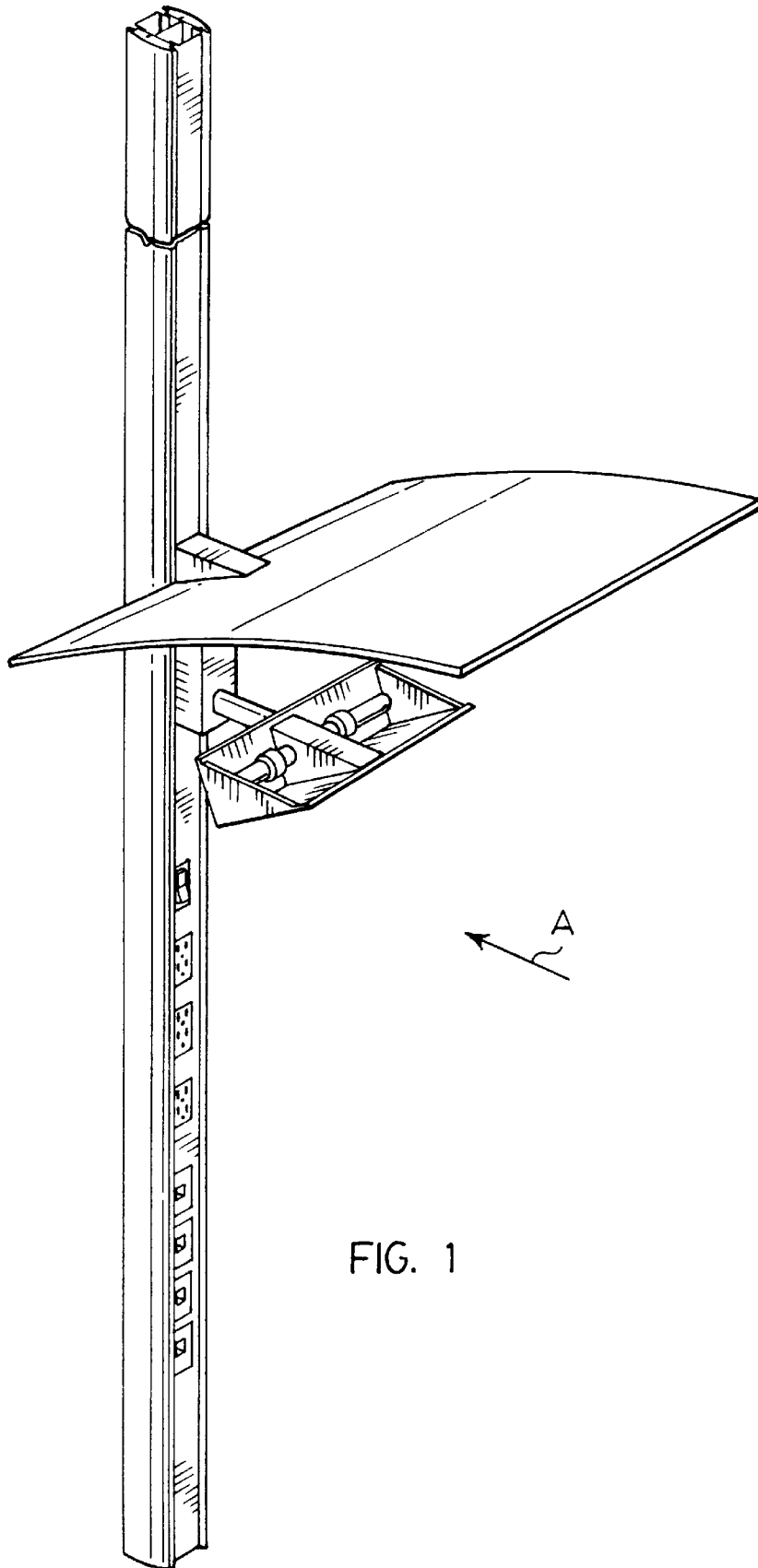


FIG. 1

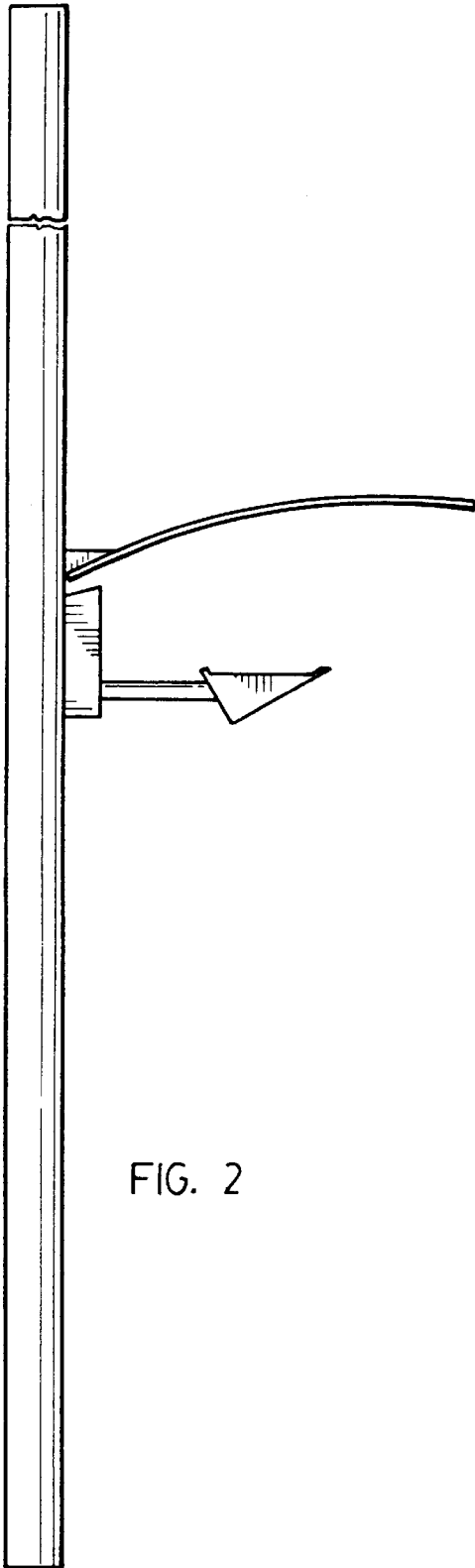


FIG. 2

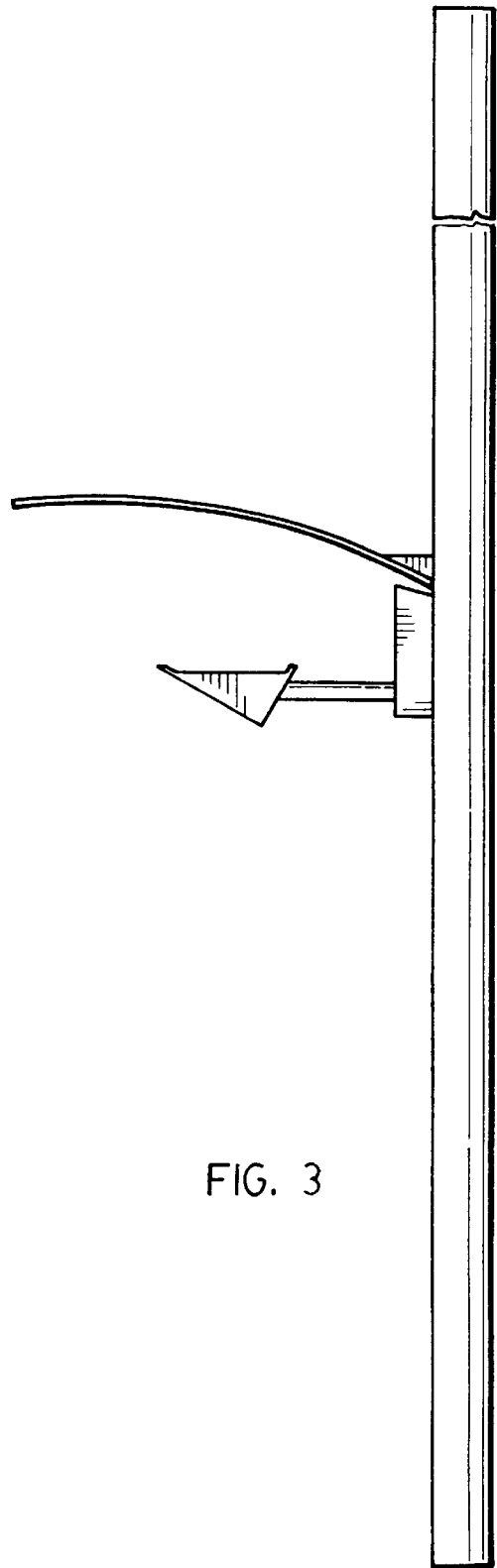


FIG. 3

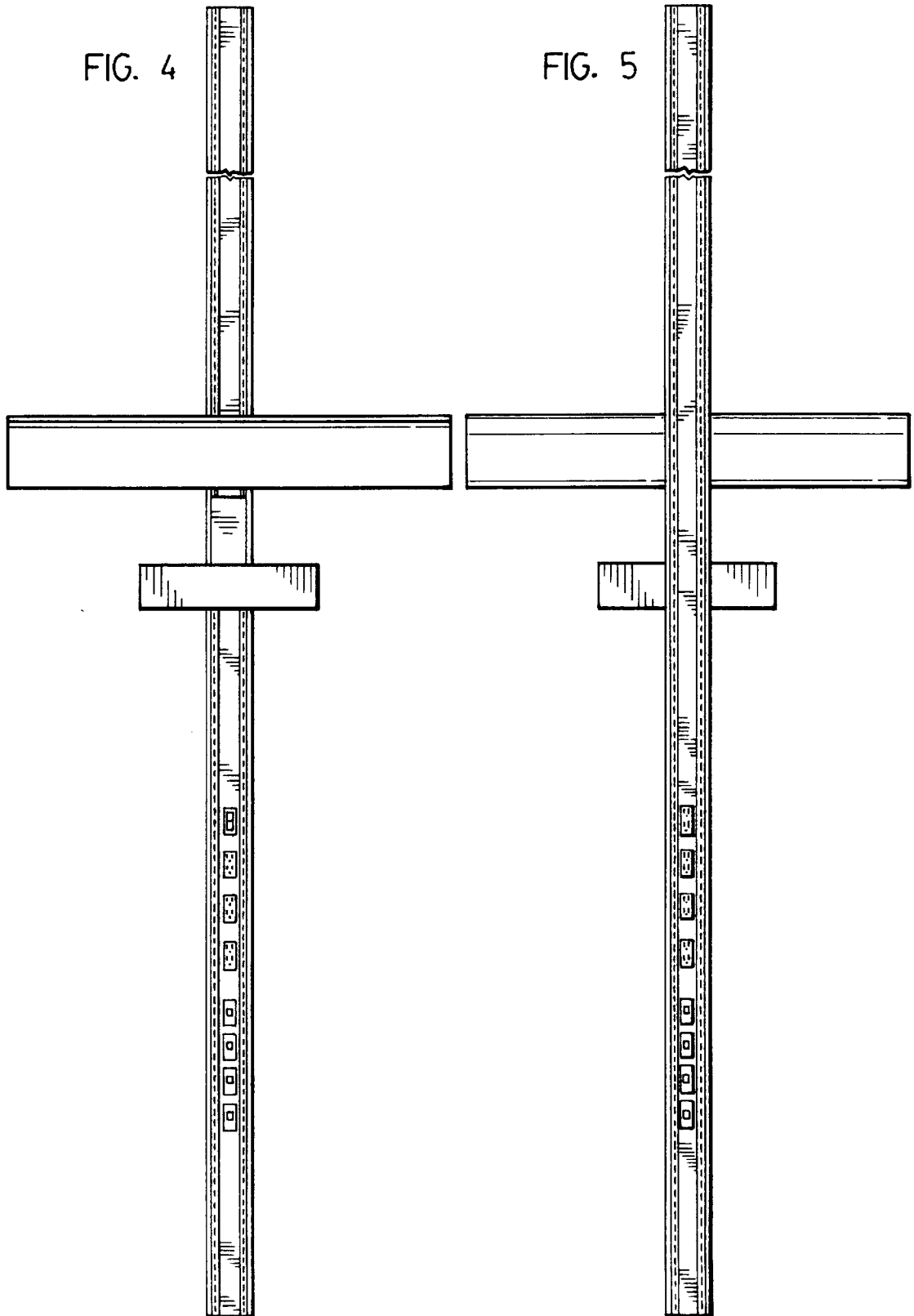


FIG. 6

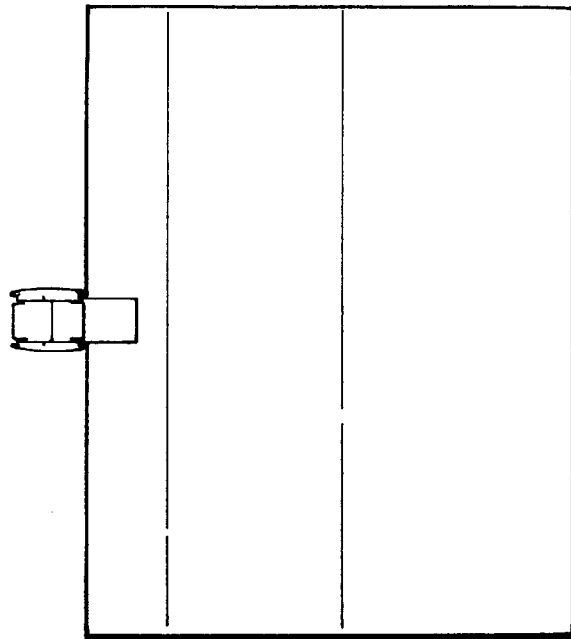
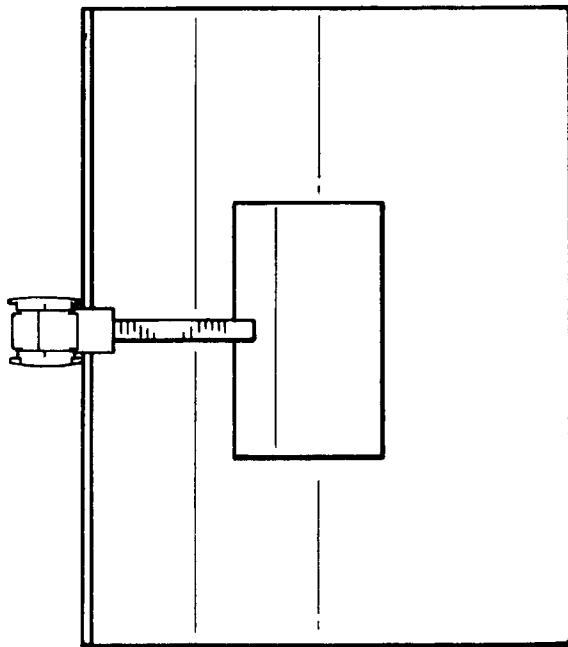


FIG. 7



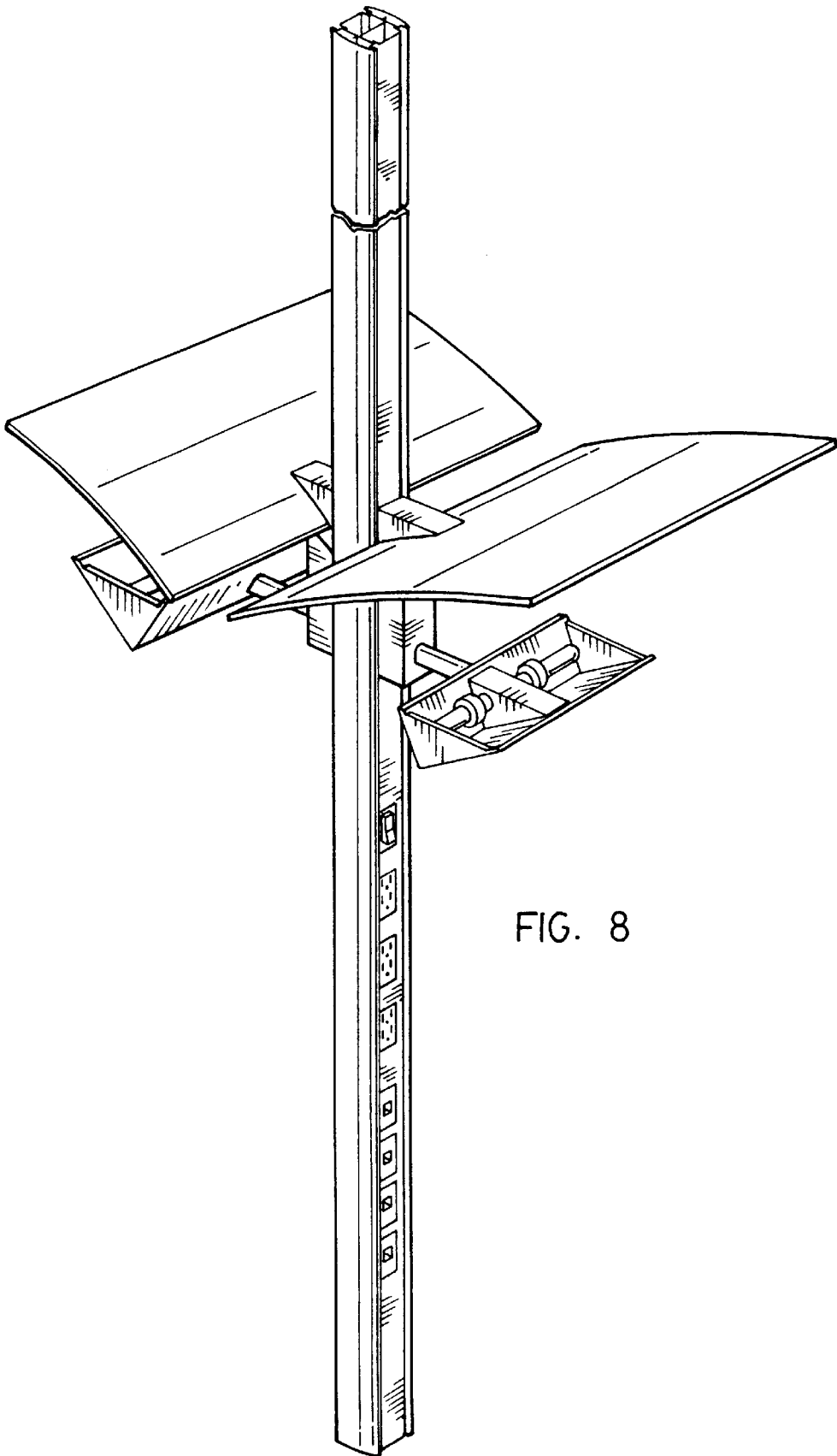


FIG. 8

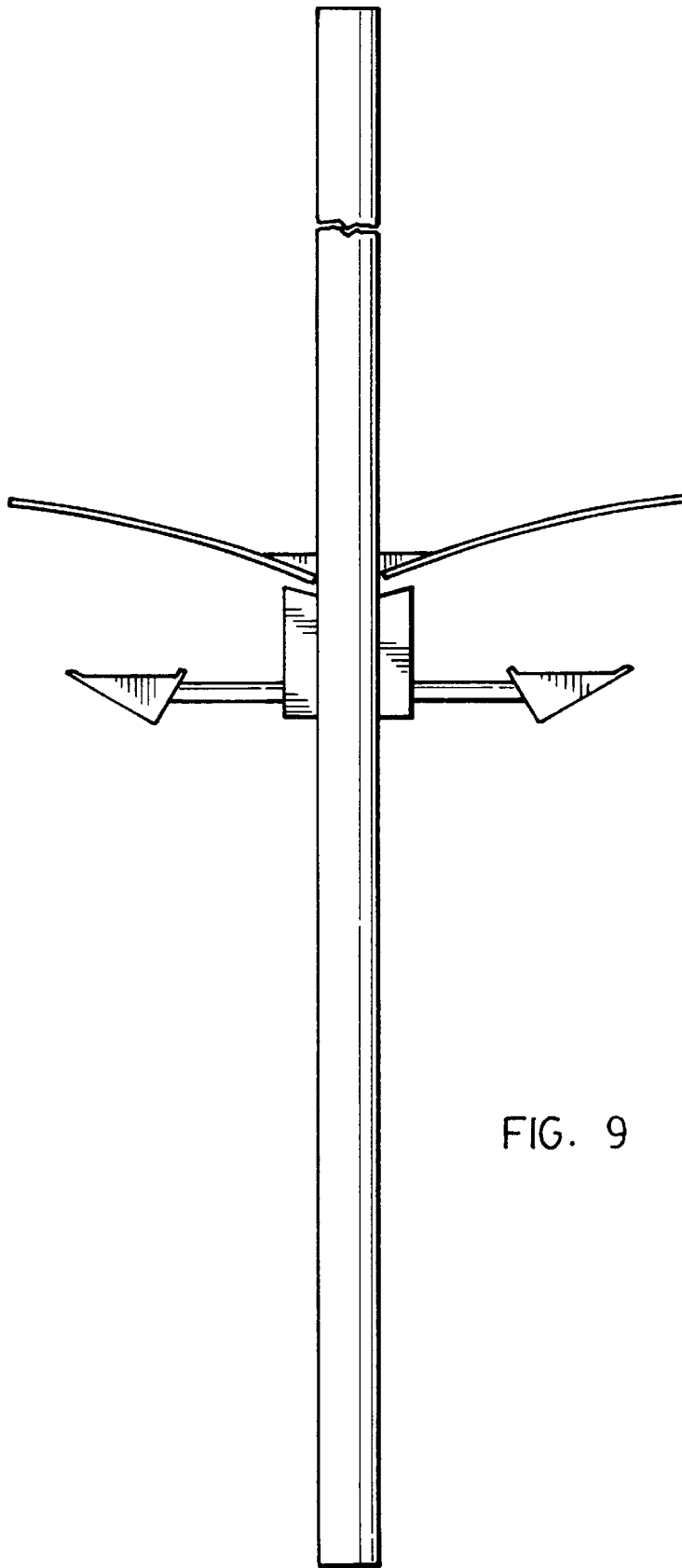


FIG. 9

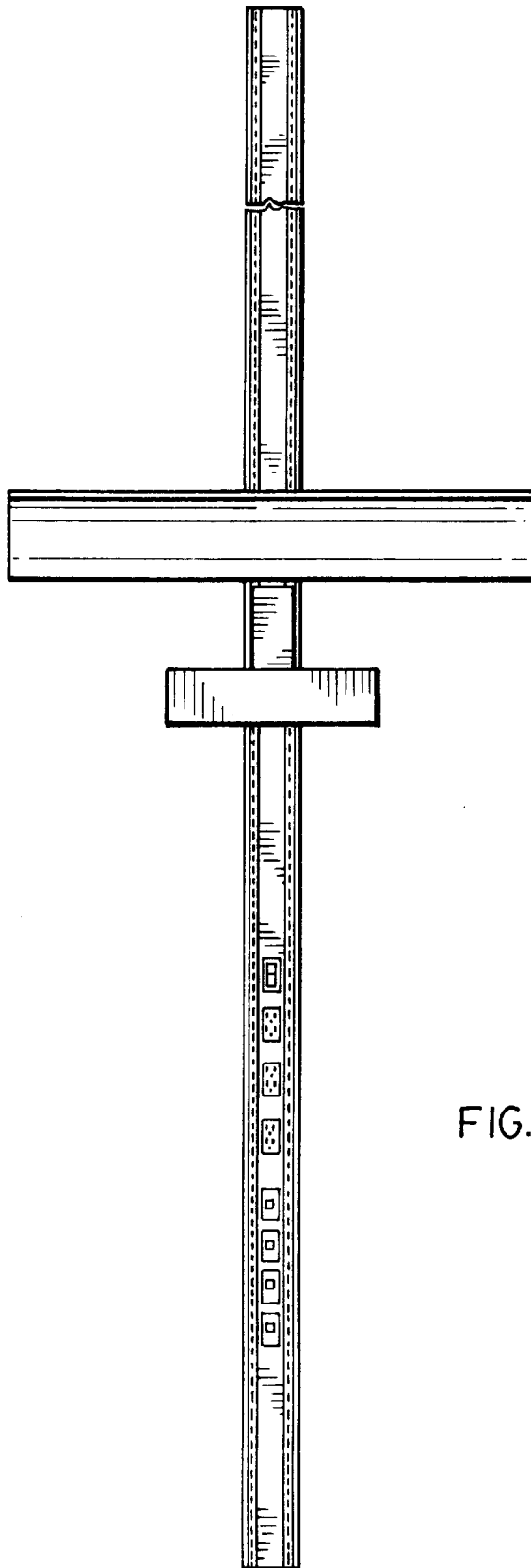


FIG. 10



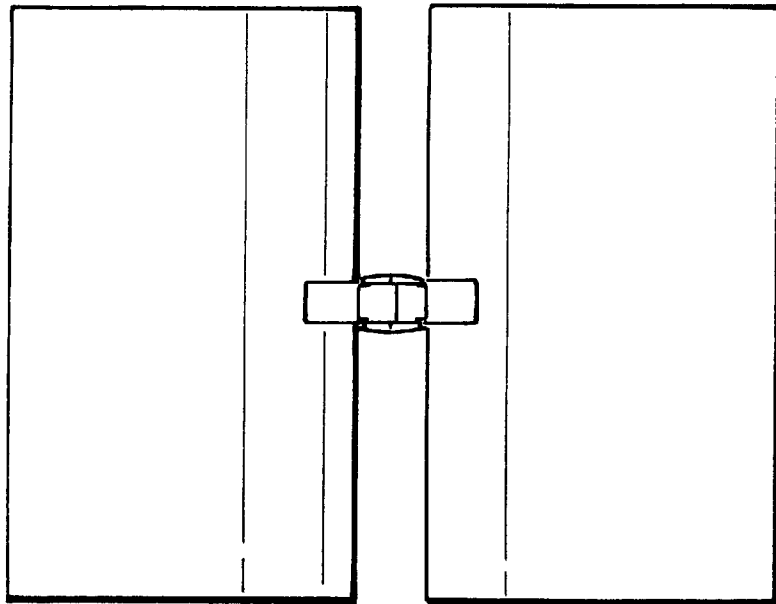


FIG. 11

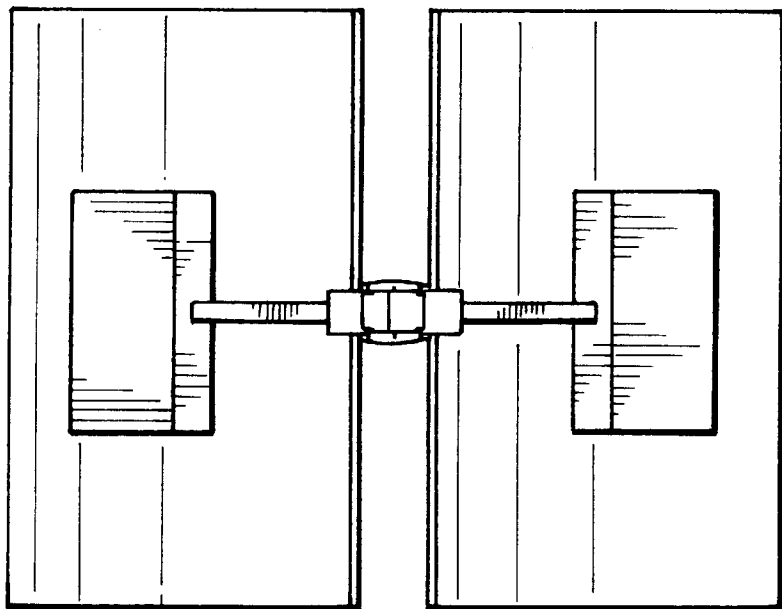


FIG. 12