



US00D902746S

(12) **United States Design Patent**  
**Torres**

(10) **Patent No.:** **US D902,746 S**

(45) **Date of Patent:** **\*\* Nov. 24, 2020**

(54) **WATCH CASE**

(58) **Field of Classification Search**

USPC ..... D10/128, 30, 32, 38, 39, 122-123  
See application file for complete search history.

(71) Applicant: **Breitling SA**, Grenchen (CH)

(56) **References Cited**

(72) Inventor: **Francesco Torres**, Zürich (CH)

U.S. PATENT DOCUMENTS

(\*\*) Term: **15 Years**

3,475,902 A \* 11/1969 Wessel ..... B63C 11/32  
368/10  
D295,837 S \* 5/1988 Takeichi ..... D10/39  
D702,136 S \* 4/2014 Monachon ..... D10/39  
D836,008 S \* 12/2018 Schoepfer ..... D10/39

(21) Appl. No.: **35/507,717**

\* cited by examiner

(22) Filed: **Mar. 19, 2019**

*Primary Examiner* — George D. Kirschbaum

(80) **Hague Agreement Data**

(57) **CLAIM**

The ornamental design for a watch case, as shown and described.

Int. Filing Date: **Mar. 19, 2019**

Int. Reg. No.: **DM/203750**

Int. Reg. Date: **Mar. 19, 2019**

Int. Reg. Pub. Date: **Nov. 8, 2019**

**DESCRIPTION**

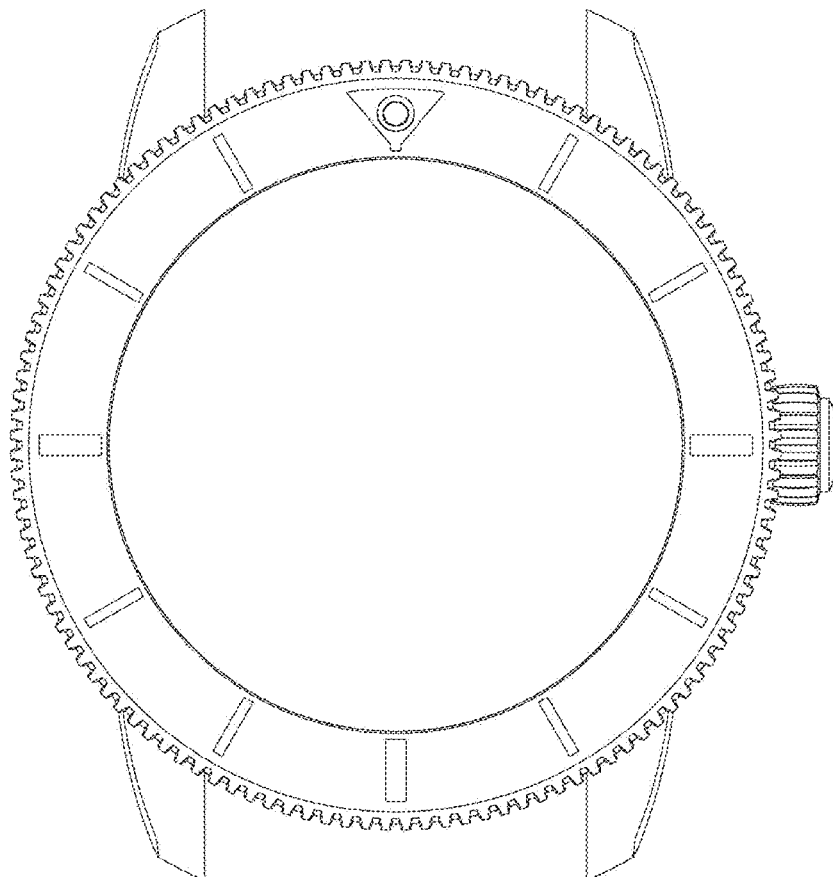
- 1. Watch case
- 1.1 is a front view.
- 1.2 is a bottom view.
- 1.3 is a top view.
- 1.4 is a right side view.
- 1.5 is a left side view.
- 1.6 is a back view.
- 1.7 is a perspective view.

(51) **LOC (12) Cl.** ..... **10-03**

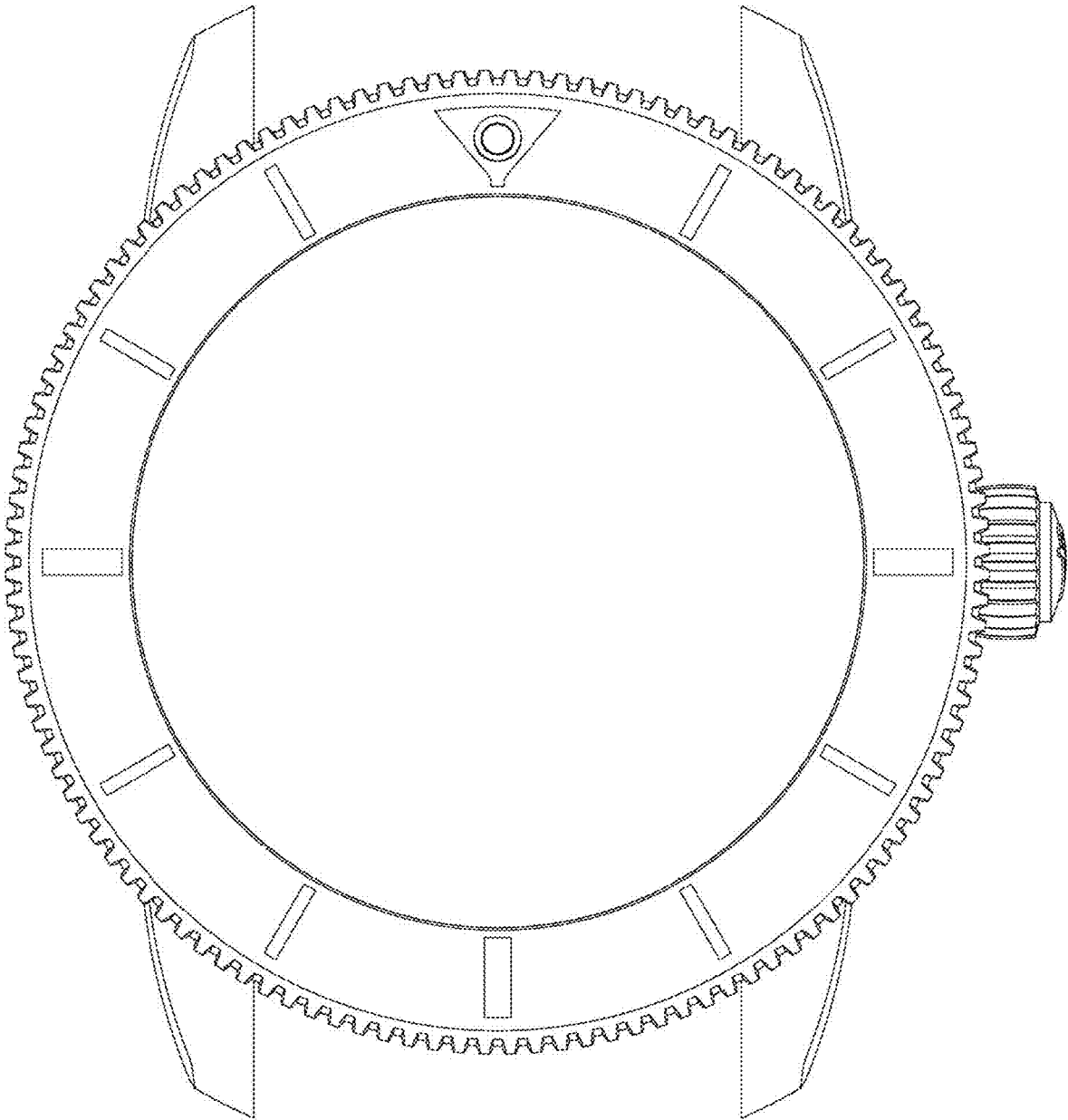
(52) **U.S. Cl.**

USPC ..... **D10/38**

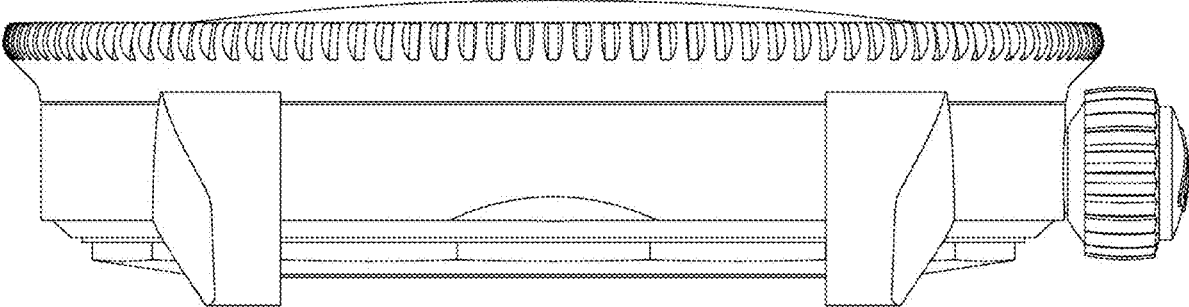
**1 Claim, 7 Drawing Sheets**



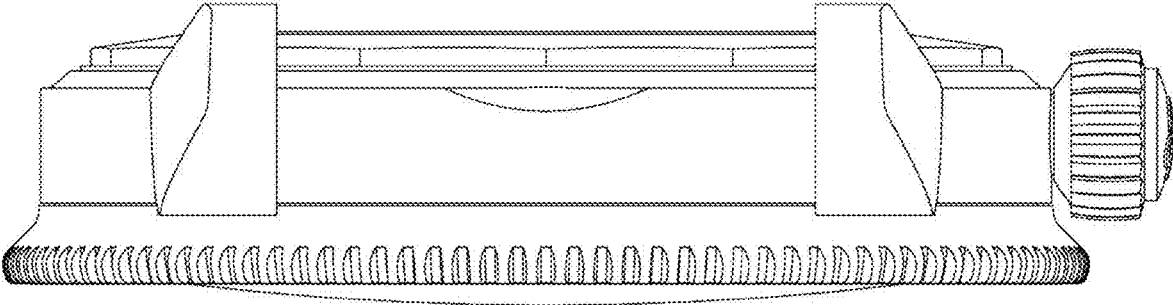
1.1



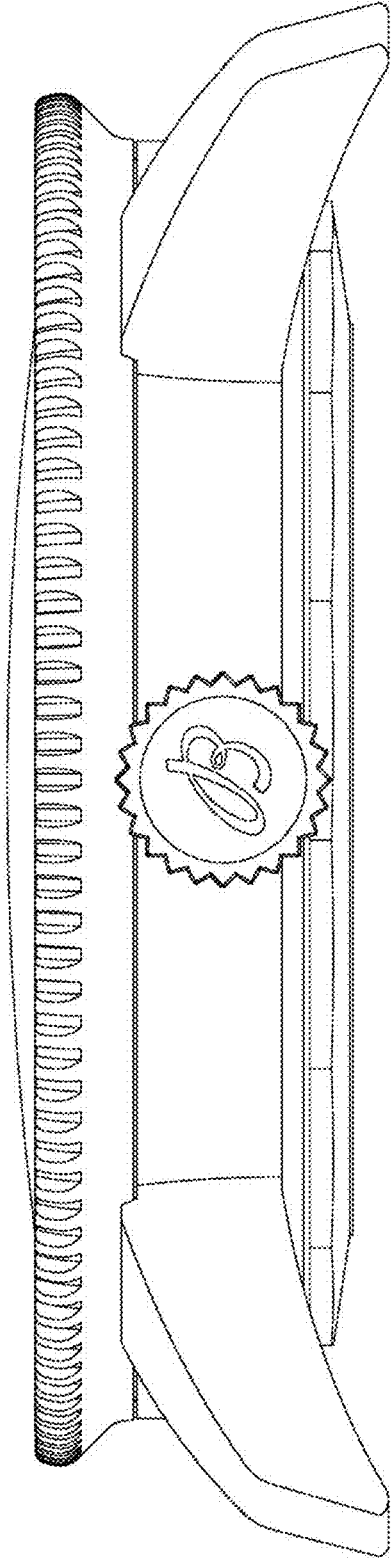
1.2

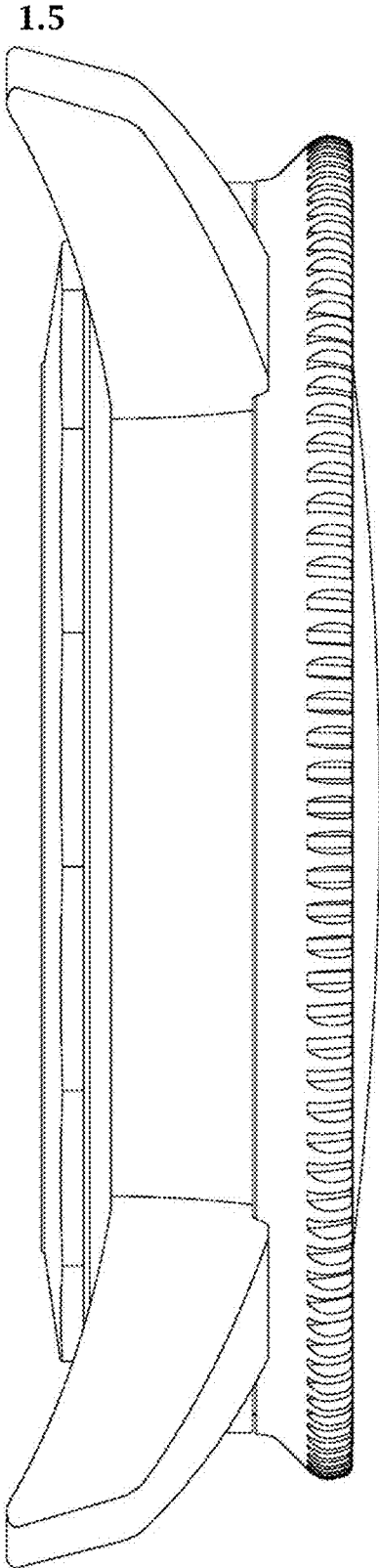


1.3

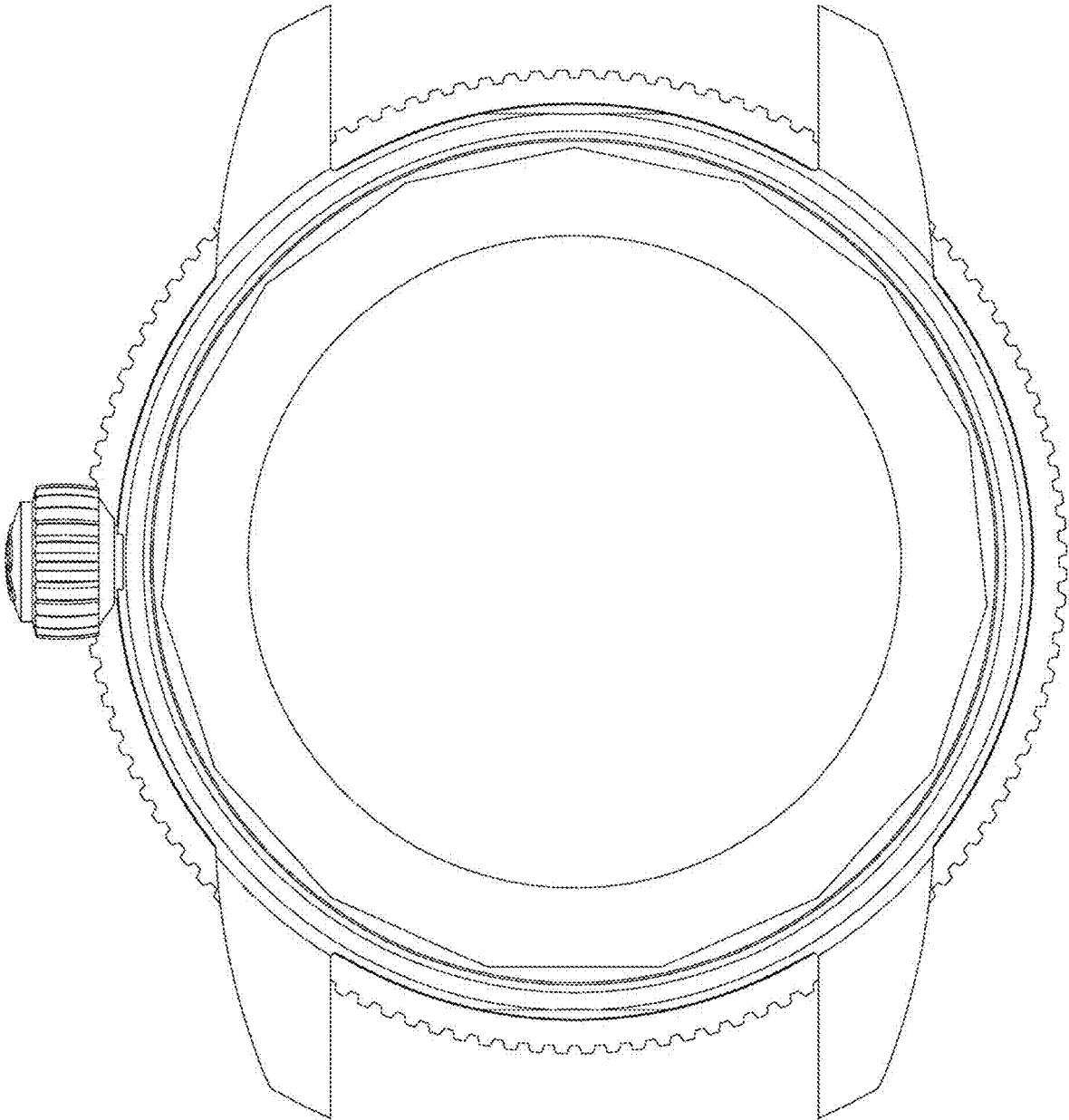


1.4





1.6



1.7

