



US00D947830S

(12) **United States Design Patent**
Lin et al.

(10) **Patent No.:** **US D947,830 S**

(45) **Date of Patent:** **** Apr. 5, 2022**

(54) **PHONE COVER**

(71) Applicant: **Guangzhou Roiskin Technology Company, Guangzhou (CN)**

(72) Inventors: **Sam Lin, Guangzhou (CN); Fanyiguo Cai, Guangdong (CN)**

(73) Assignee: **Guangzhou Roiskin Technology Company, Guangzhou (CN)**

(**) Term: **15 Years**

(21) Appl. No.: **29/772,352**

(22) Filed: **Mar. 1, 2021**

(51) **LOC (13) Cl.** **14-03**

(52) **U.S. Cl.**

USPC **D14/250**

(58) **Field of Classification Search**

USPC D14/203.3–203.7, 439, 251–253, 447,
D14/217, 240, 238.1, 250, 440, 248;
D13/103, 107–108, 119; D3/201, 218,
D3/247, 249, 269, 273, 301, 303

CPC . H04B 1/3888; A45C 13/02; A45C 2011/002;
A45C 1/06; A45C 11/00; A45F 2005/026;
A45F 2200/0525; A45F 2200/0516;
H04M 1/0283; H04M 1/0202

See application file for complete search history.

(56) **References Cited**

U.S. PATENT DOCUMENTS

D590,386 S * 4/2009 Leith D14/248
D670,279 S * 11/2012 Veltz D14/250
D701,211 S * 3/2014 Ng D14/440
D709,486 S * 7/2014 Lin D14/250
D716,280 S * 10/2014 Macrina D14/250
D717,779 S * 11/2014 Dong D14/250
8,936,222 B1 * 1/2015 Bastian H04B 1/3877
248/206.5
D775,619 S * 1/2017 Tien D14/250
D788,092 S * 5/2017 Phang D14/250

D791,759 S * 7/2017 Lin D14/250
D803,222 S * 11/2017 Cheng D14/440
D863,281 S * 10/2019 Liu D14/250
D863,286 S * 10/2019 Hong D14/250
D868,053 S * 11/2019 Gao D14/250
10,581,480 B1 * 3/2020 Kim H04M 1/04
D881,176 S * 4/2020 Hao D14/250

(Continued)

FOREIGN PATENT DOCUMENTS

CN 306332307 * 2/2021
CN 306517192 5/2021
JP 2019536485 12/2019

OTHER PUBLICATIONS

Roiskin Mecha Phone Case, URL:<<https://www.roiskin.com/products/mecha-phone-case.html>>, retrieved from internet on Sep. 2, 2021.*

Primary Examiner — Carla J Wright

(74) *Attorney, Agent, or Firm* — Patrick J. Halloran

(57)

CLAIM

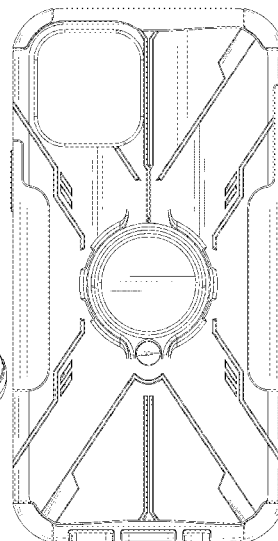
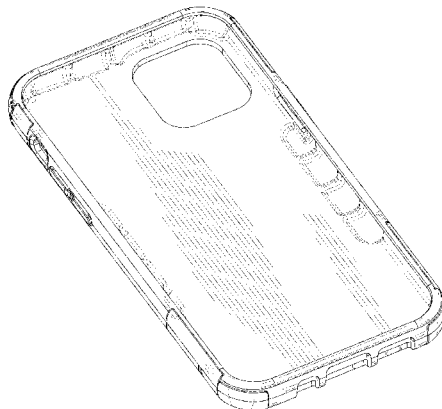
The ornamental design for a phone cover, as shown and described.

DESCRIPTION

FIG. 1 is a front, left-side, and bottom perspective view of a phone cover showing our new design;
FIG. 2 is a rear, right-side, and bottom perspective view thereof;
FIG. 3 is a front elevational view thereof;
FIG. 4 is a rear elevational view thereof;
FIG. 5 is a left-side elevational view thereof;
FIG. 6 is a right-side elevational view thereof;
FIG. 7 is a top plan view thereof; and,
FIG. 8 is a bottom plan view thereof.

The broken lines shown in the drawings are for the purpose of illustrating portions of the phone cover that form no part of the claimed design.

1 Claim, 8 Drawing Sheets



(56)

References Cited

U.S. PATENT DOCUMENTS

D896,212	S *	9/2020	Wang	D14/250
D896,804	S *	9/2020	Lin	D14/250
D901,481	S *	11/2020	Ahn	D14/250
D903,650	S *	12/2020	Huang	D14/250
D917,445	S	4/2021	Li	
2014/0069825	A1 *	3/2014	Macrina	A45C 11/00 206/37
2015/0068934	A1 *	3/2015	Armstrong	H04B 1/3888 206/320
2017/0353207	A1 *	12/2017	Chou	H04M 1/0202
2018/0220782	A1 *	8/2018	Mody	A45F 5/00
2020/0083921	A1 *	3/2020	Hogue	A45F 5/00
2021/0012623	A1 *	1/2021	Gov-Ari	A45F 5/10

* cited by examiner

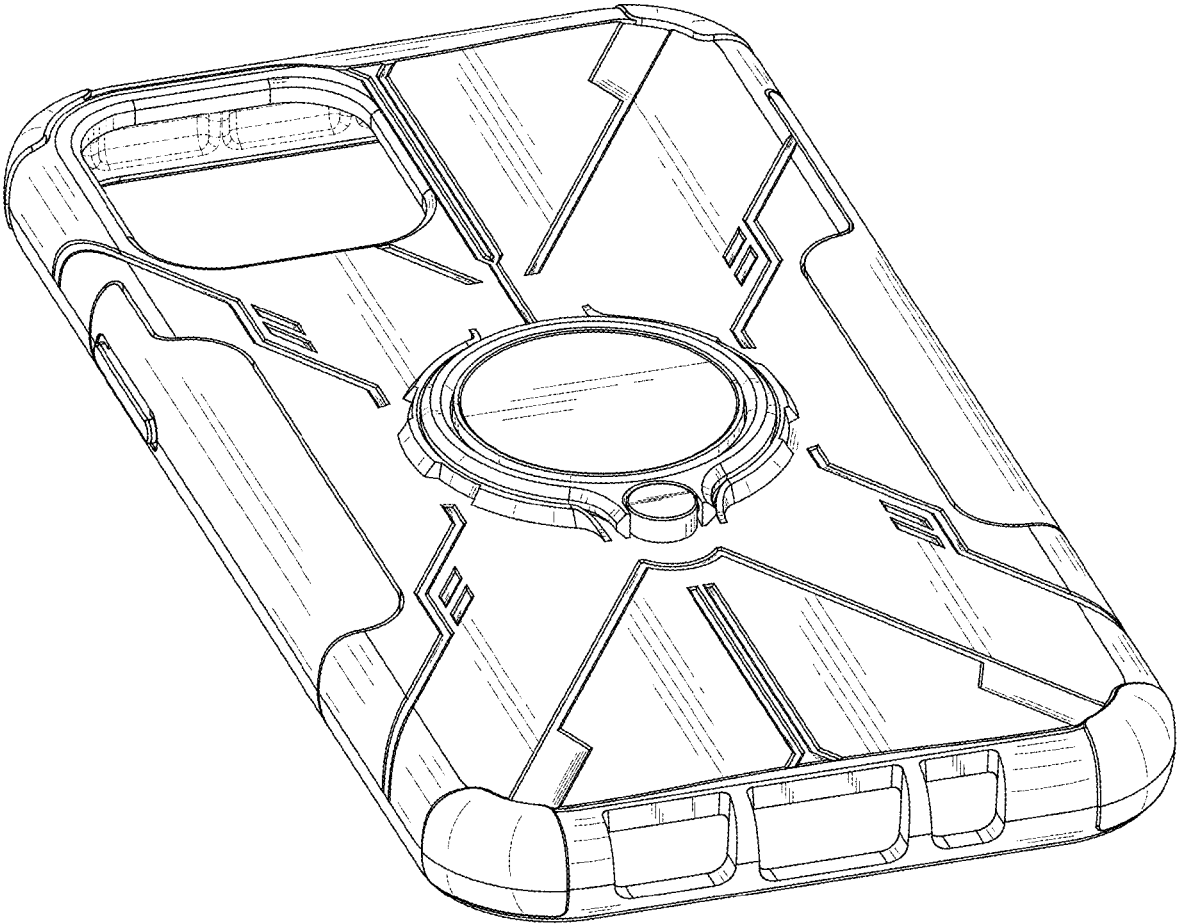


FIG. 1

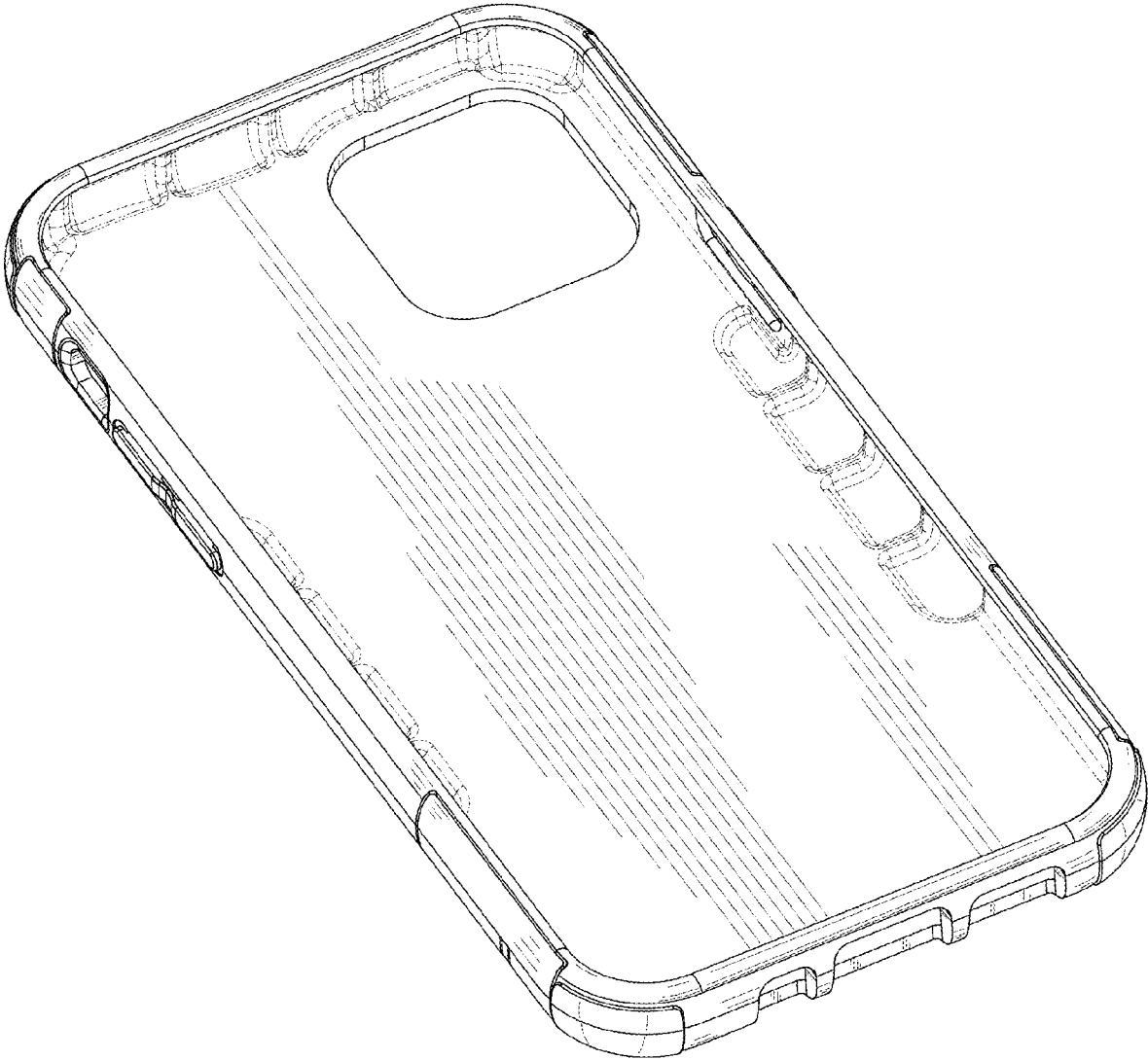


FIG. 2

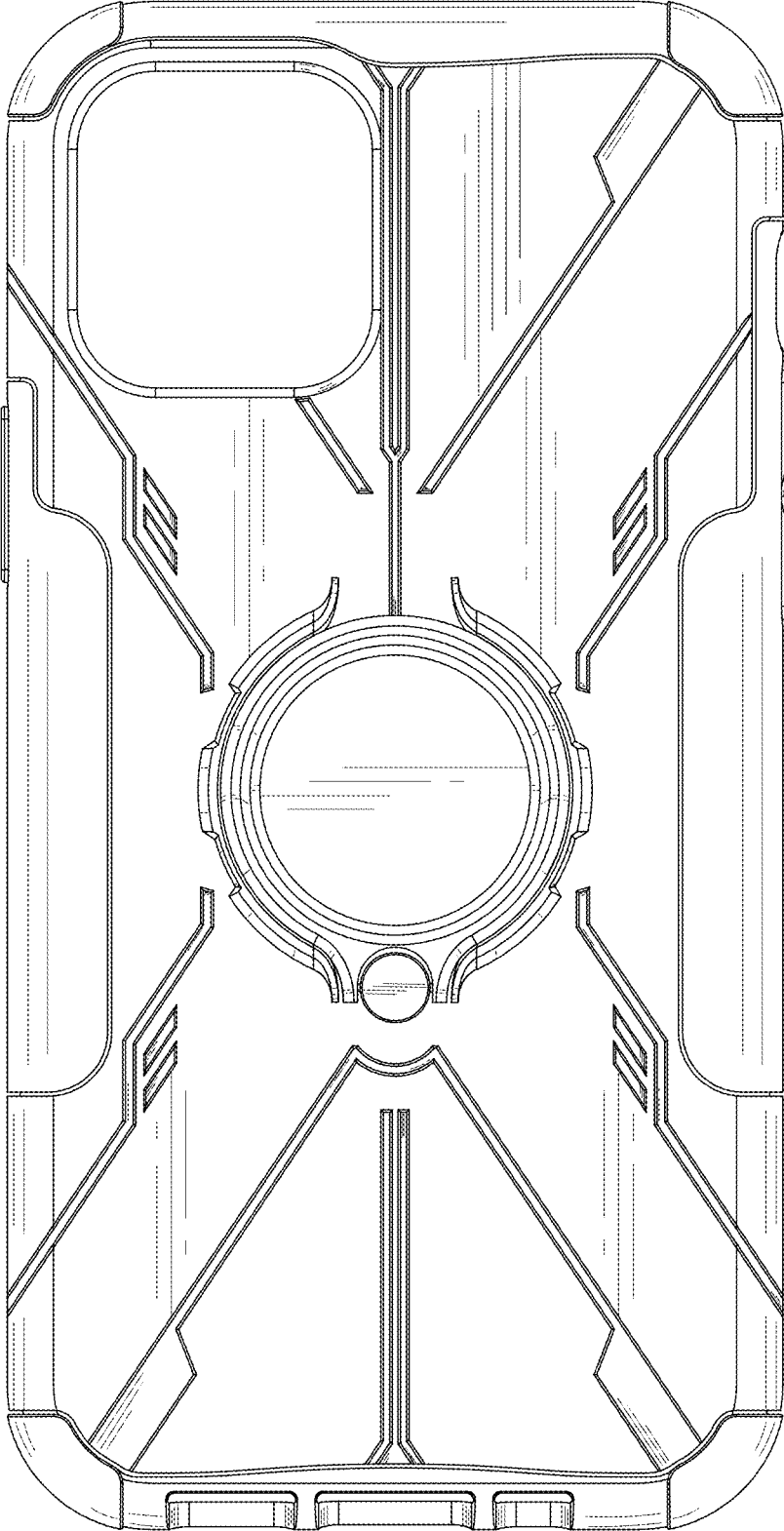


FIG. 3

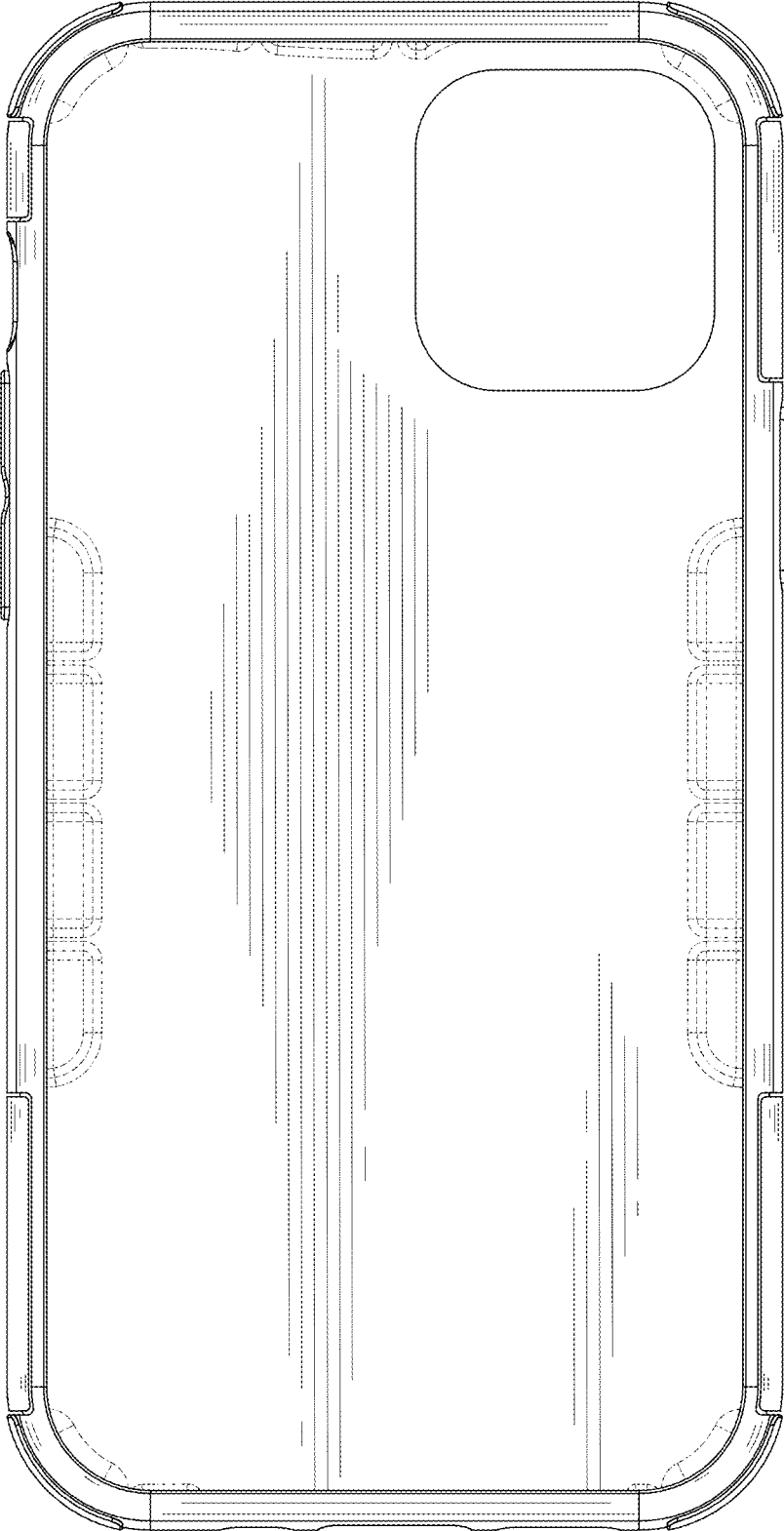


FIG. 4

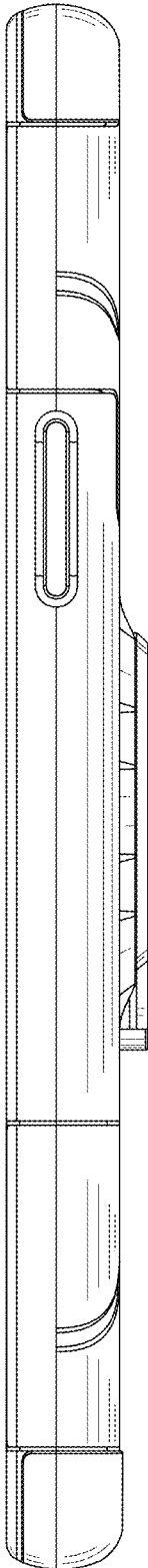


FIG. 5

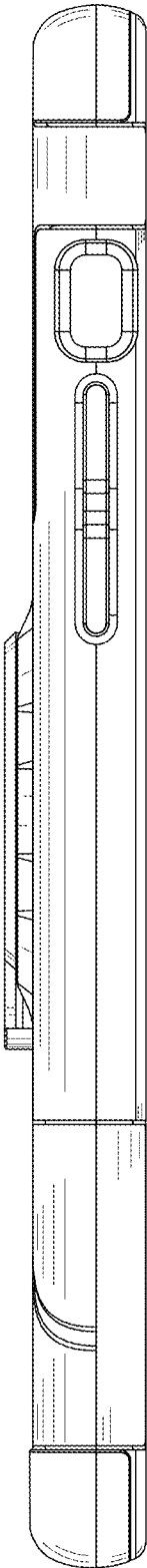


FIG. 6

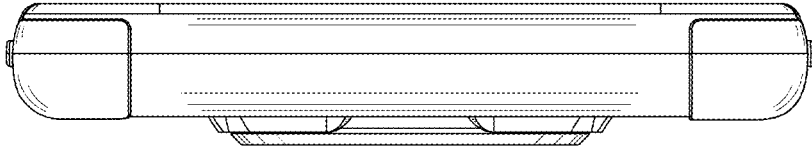


FIG. 7

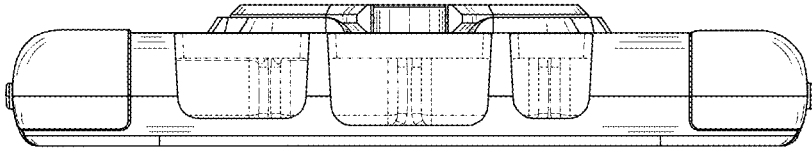


FIG. 8