

(19) World Intellectual Property Organization
International Bureau



(43) International Publication Date
31 July 2008 (31.07.2008)

PCT

(10) International Publication Number
WO 2008/091528 A3

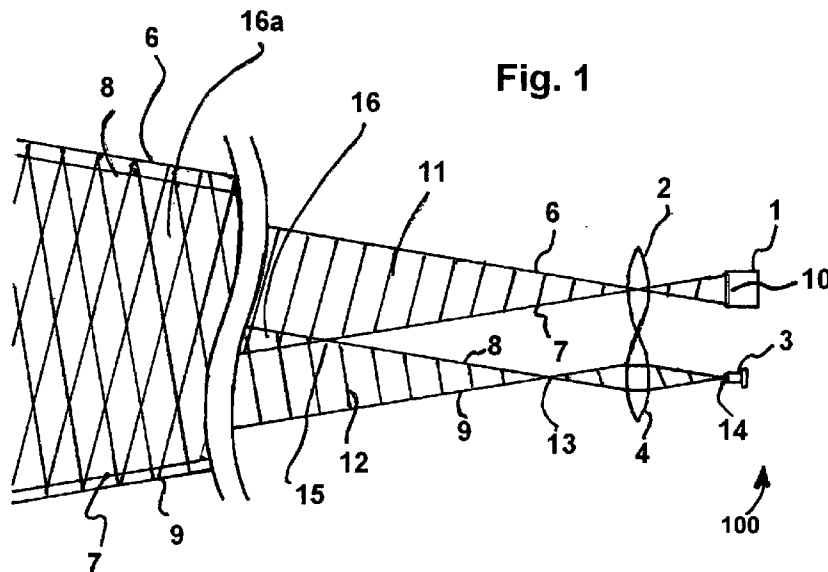
- (51) **International Patent Classification:**
G08B 13/193 (2006.01) G08B 29/22 (2006.01)
- (21) **International Application Number:**
PCT/US2008/000625
- (22) **International Filing Date:** 17 January 2008 (17.01.2008)
- (25) **Filing Language:** English
- (26) **Publication Language:** English
- (30) **Priority Data:**
11/655,671 19 January 2007 (19.01.2007) US
- (71) **Applicant (for all designated States except US):** JENE-
SIS INTERNATIONAL, INC. [US/US]; Jenesis Interna-
tional, Inc., 2025 Yore Avenue, Benton Harbor, MI 49022
(US).
- (72) **Inventors; and**
- (75) **Inventors/Applicants (for US only):** JENSEN, Bradford
[US/US]; 1350 Lupine Drive, Saint Joseph, MI 49805
(US). MCCAUIT, Kim [US/US]; 2361 South Cleveland
Avenue, Saint Joseph, MI 49805 (US).
- (74) **Agents:** O'MALLEY, Paul et al.; OMalley and Firestone,
919 South Harrison St., Ste. 210, Fort Wayne, MI 46802
(US).

- (81) **Designated States (unless otherwise indicated, for every kind of national protection available):** AE, AG, AL, AM, AO, AT, AU, AZ, BA, BB, BG, BH, BR, BW, BY, BZ, CA, CH, CN, CO, CR, CU, CZ, DE, DK, DM, DO, DZ, EC, EE, EG, ES, FI, GB, GD, GE, GH, GM, GT, HN, HR, HU, ID, IL, IN, IS, JP, KE, KG, KM, KN, KP, KR, KZ, LA, LC, LK, LR, LS, LT, LU, LY, MA, MD, ME, MG, MK, MN, MW, MX, MY, MZ, NA, NG, NI, NO, NZ, OM, PG, PH, PL, PT, RO, RS, RU, SC, SD, SE, SG, SK, SL, SM, SV, SY, TJ, TM, TN, TR, TT, TZ, UA, UG, US, UZ, VC, VN, ZA, ZM, ZW
- (84) **Designated States (unless otherwise indicated, for every kind of regional protection available):** ARIPO (BW, GH, GM, KE, LS, MW, MZ, NA, SD, SL, SZ, TZ, UG, ZM, ZW), Eurasian (AM, AZ, BY, KG, KZ, MD, RU, TJ, TM), European (AT, BE, BG, CH, CY, CZ, DE, DK, EE, ES, FI, FR, GB, GR, HR, HU, IE, IS, IT, LT, LU, LV, MC, MT, NL, NO, PL, PT, RO, SE, SI, SK, TR), OAPI (BF, BJ, CF, CG, CI, CM, GA, GN, GQ, GW, ML, MR, NE, SN, TD, TG).

Published:
— with international search report

[Continued on next page]

(54) **Title:** MOTION SENSOR WITH LED ALIGNMENT AID



(57) **Abstract:** A motion sensor (100) is provided in an enclosure (52) which houses a sensing element (1) having a detection coverage zone (11) outside the enclosure (52) and a light source (3) having an optical guide (88) to produce a projected light region (12) outside the enclosure (52). The light source (3) operates independently of the sensing element (1) and the projected light region (12) it illuminates is limited in area to no more than an outer limit of the detection coverage zone or zones (11) as an aid to aligning the motion sensor (100).

WO 2008/091528 A3



— *before the expiration of the time limit for amending the claims and to be republished in the event of receipt of amendments*

(88) Date of publication of the international search report:
18 September 2008

INTERNATIONAL SEARCH REPORT

International application No
PCT/US2008/000625

A. CLASSIFICATION OF SUBJECT MATTER
INV. G08B13/193 G08B29/22

According to International Patent Classification (IPC) or to both national classification and IPC

B. FIELDS SEARCHED

Minimum documentation searched (classification system followed by classification symbols)
G08B F21V

Documentation searched other than minimum documentation to the extent that such documents are included in the fields searched

Electronic data base consulted during the international search (name of data base and, where practical, search terms used)

EPO-Internal

C. DOCUMENTS CONSIDERED TO BE RELEVANT

Category*	Citation of document, with indication, where appropriate, of the relevant passages	Relevant to claim No.
X	GB 2 215 454 A (RACAL GUARDALL [GB]) 20 September 1989 (1989-09-20)	1-8
Y	page 3, line 12 - page 5, line 8 page 5, line 21 - page 9, line 15 -----	9
X	US 4 760 381 A (HAAG GUENTER [DE]) 26 July 1988 (1988-07-26)	1,2,4-8
Y	column 4, line 43 - column 5, line 5 column 5, line 34 - column 6, line 17 column 6, line 45 - column 8, line 55 -----	9
X	US 6 215 398 B1 (PLATNER BRIAN P [US] ET AL) 10 April 2001 (2001-04-10)	1,2,4-8
Y	column 3, line 3 - column 4, line 4 column 4, line 54 - column 6, line 37 ----- -/--	9

Further documents are listed in the continuation of Box C.

See patent family annex.

* Special categories of cited documents :

"A¹" document defining the general state of the art which is not considered to be of particular relevance

"E" earlier document but published on or after the international filing date

¹L¹ document which may throw doubts on priority claim(s) or which is cited to establish the publication date of another citation or other special reason (as specified)

"O" document referring to an oral disclosure, use, exhibition or other means¹

¹P" document published prior to the international filing date but later than the priority date claimed

T¹ later document published after the international filing date or priority date and not in conflict with the application but cited to understand the principle or theory underlying the invention

"X" document of particular relevance; the claimed invention cannot be considered novel or cannot be considered to involve an inventive step when the document is taken alone

"Y" document of particular relevance; the claimed invention cannot be considered to involve an inventive step when the document is combined with one or more other such documents, such combination being obvious to a person skilled in the art.

* document member of the same patent family

Date of the actual completion of the international search

30 June 2008

Date of mailing of the international search report

07/07/2008

Name and mailing address of the ISA/

European Patent Office, P.B. 5818 Patentlaan 2
NL- 2280 HV Rijswijk
Tel. (+31-70) 340-2040, Tx. 31 651 epo nl,
Fax: (+31-70) 340-3016

Authorized officer

La Gioia, Cosimo

INTERNATIONAL SEARCH REPORT

International application No
PCT/US2008/000625

O(Continuation). DOCUMENTS CONSIDERED TO BE RELEVANT		
Category*	Citation of document, with Indication, where appropriate, of the relevant passages	Relevant to claim No.
X	GB 2 365 524 A (OPTEX CO LTD [JP]) 20 February 2002 (2002-02-20)	1, 2, 4-8
Y	page 6, line 23 - page 9, line 7 page 10, line 10 - page 13, line 2 -----	9
A	GB 2 064 108 A (ARROWHEAD ETS INC) 10 June 1981 (1981-06-10) page 1, line 4 - line 70 page 1, line 92 - page 3, line 67 . -----	1-8
Y	US 2005/116171 A1 (LEE WADE [US] ET AL) 2 June 2005 (2005-06-02) abstract paragraph [0001] - paragraph [0002] -----	9

INTERNATIONAL SEARCH REPORT

Information on patent family members

International application No

PCT/US2008/000625

Patent document cited in search report		Publication date		Patent family member(s)	Publication date
GB 2215454	A	20-09-1989	DE	3906761 A1	21-09-1989
			FR	2630237 A1	20-10-1989
			US	4912331 A	27-03-1990
US 4760381	A	26-07-1988	DE	3447131 A1	26-06-1986
			EP	0188748 A1	30-07-1986
us 6215398	B1	10-04-2001	NONE		
GB 2365524	A	20-02-2002	JP	2001229473 A	24-08-2001
			US	6469625 B1	22-10-2002
GB 2064108	A	10-06-1981	CA	1166329 A1	24-04-1984
			DE	3041737 A1	27-08-1981
			ES	8201751 A1	16-03-1982
			FR	2469761 A1	22-05-1981
			FR	2526563 A1	10-11-1983
			IT	1129844 B	11-06-1986
			US	4275303 A	23-06-1981
US 2005116171	A1	02-06-2005	NONE		