



US00D592639S

(12) **United States Design Patent**
Kuh et al.

(10) **Patent No.:** **US D592,639 S**

(45) **Date of Patent:** **** May 19, 2009**

(54) **HEADSET**

(75) Inventors: **Harry Kuh**, Taipei (TW); **Steve Wittenbrock**, Portland, OR (US); **Jason Sagen**, Portland, OR (US)

(73) Assignee: **The Timac Group, Inc.**, Portland, OR (US)

(**) Term: **14 Years**

(21) Appl. No.: **29/318,555**

(22) Filed: **May 22, 2008**

(51) **LOC (9) Cl.** **14-01**

(52) **U.S. Cl.** **D14/205**

(58) **Field of Classification Search** D14/205,
D14/206, 223, 188, 192, 249; 181/129-130;
379/430, 431, 441, 433.02, 433.03, 433.05;
381/370, 380, 381, 374; D29/112; 2/209
See application file for complete search history.

(56) **References Cited**

U.S. PATENT DOCUMENTS

D313,092 S *	12/1990	Nilsson	D29/112
5,406,037 A *	4/1995	Nagano et al.	181/129
5,751,825 A *	5/1998	Myers et al.	381/118
D410,466 S *	6/1999	Mouri	D14/205
D420,356 S *	2/2000	Suzuki	D14/205
D491,163 S *	6/2004	Green	D14/205
D524,794 S *	7/2006	Kim	D14/205
7,114,823 B2 *	10/2006	McCullough et al.	362/105
D541,255 S *	4/2007	Taylor et al.	D14/205
D548,221 S *	8/2007	Huang	D14/205

D549,217 S *	8/2007	Viduya et al.	D14/206
D571,354 S *	6/2008	Ng	D14/205
7,388,960 B2 *	6/2008	Kuo et al.	381/186
D581,394 S *	11/2008	Lee	D14/205
D585,871 S *	2/2009	Lee	D14/205
D585,872 S *	2/2009	Lee	D14/205

* cited by examiner

Primary Examiner—Paula Greene

(74) *Attorney, Agent, or Firm*—Hancock Hughey LLP

(57) **CLAIM**

We claim the ornamental design for a headset, as shown and described.

DESCRIPTION

FIG. 1 is an upper front and left side perspective view of a headset showing our new design, the interior facing portion of both the right and left ear phones of the headset are mirror images of each other;

FIG. 2 is a front elevation view thereof;

FIG. 3 is a rear elevation view thereof;

FIG. 4 is a left side elevation view thereof;

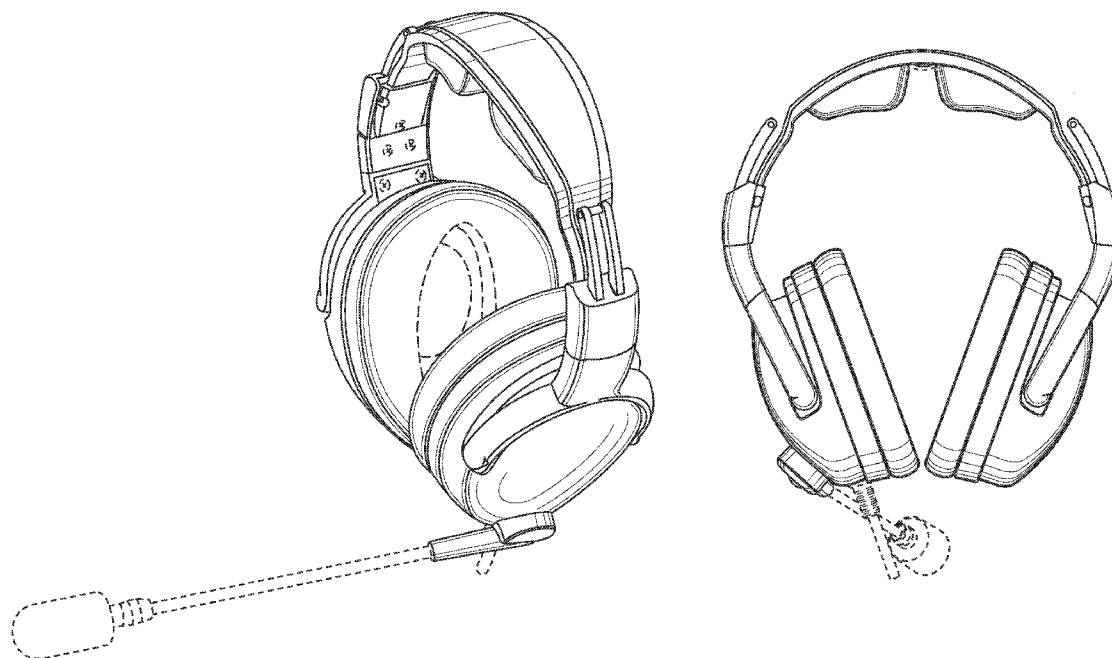
FIG. 5 is a right side elevation view thereof;

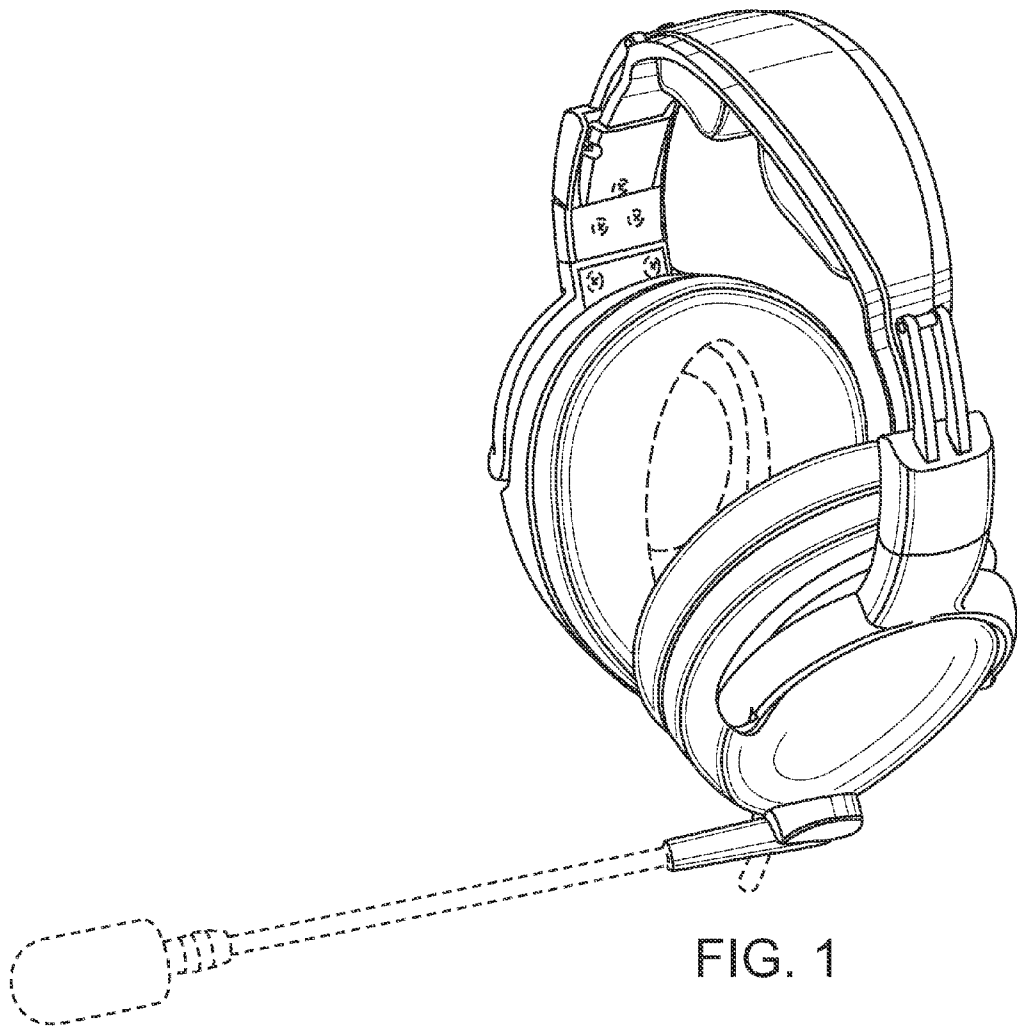
FIG. 6 is a bottom plan view thereof; and,

FIG. 7 is a top plan view thereof.

The broken lines shown in the Figures are for illustrative purposes only, and form no part of the claimed design. The interior-facing portion of both the right and left ear phones of the headset are mirror images of one another.

1 Claim, 4 Drawing Sheets





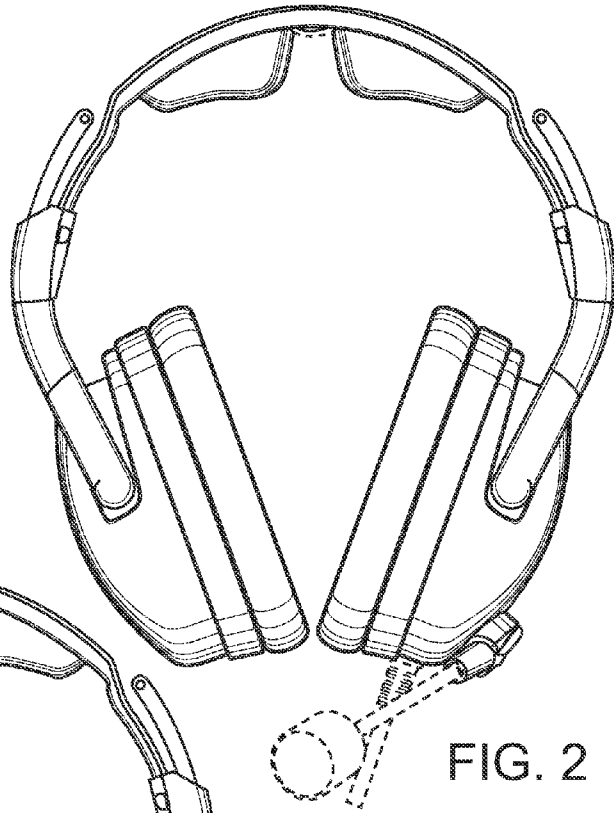


FIG. 2

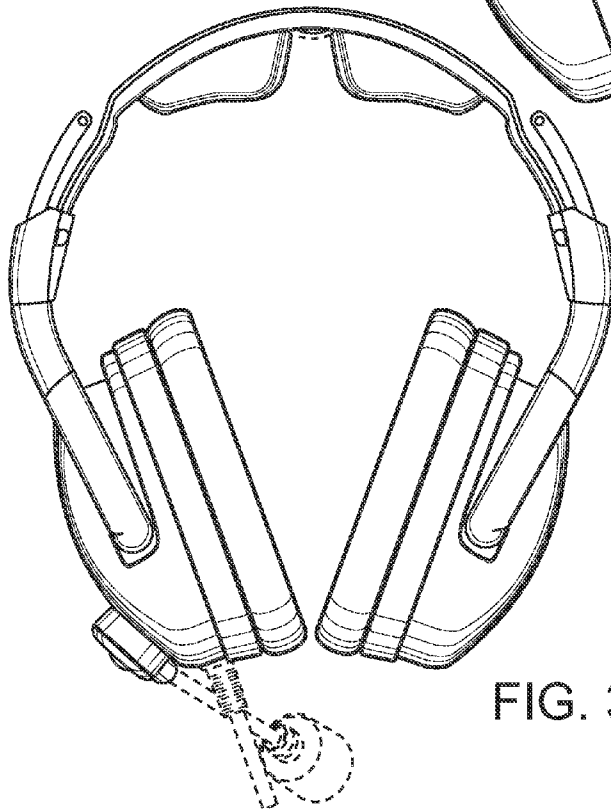


FIG. 3

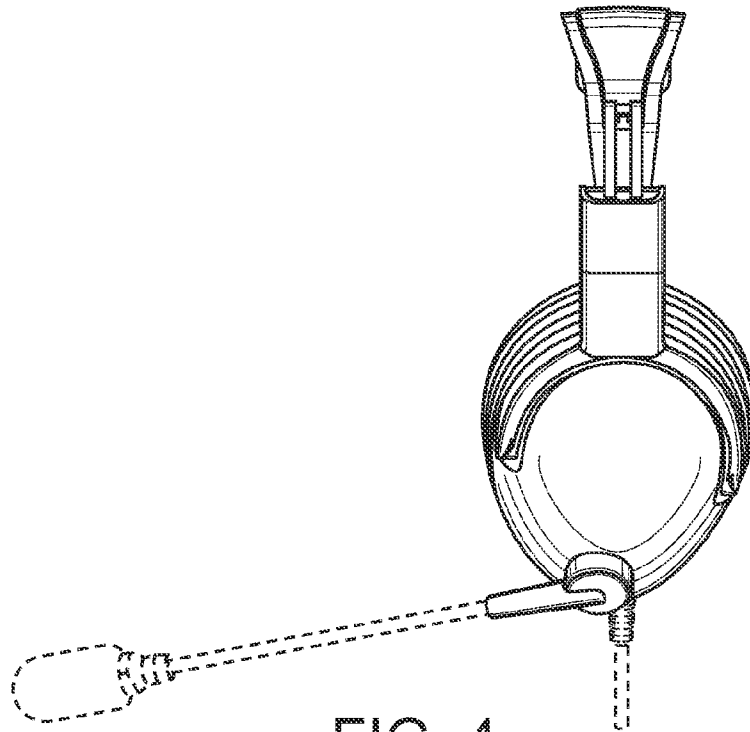


FIG. 4

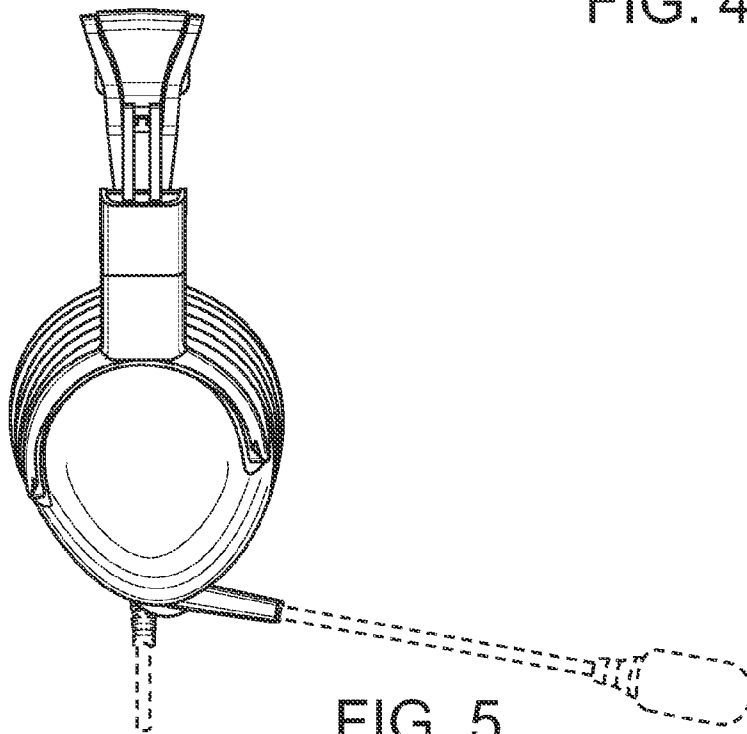


FIG. 5

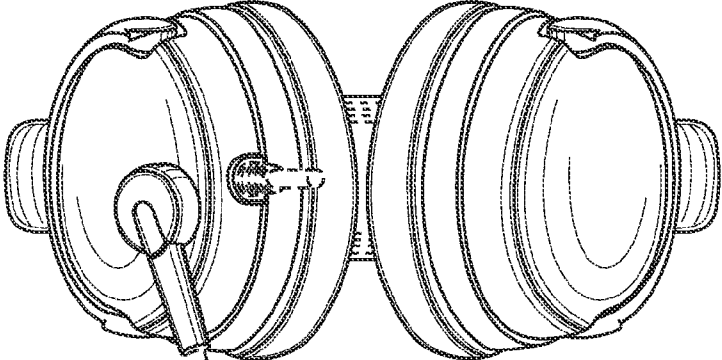


FIG. 6

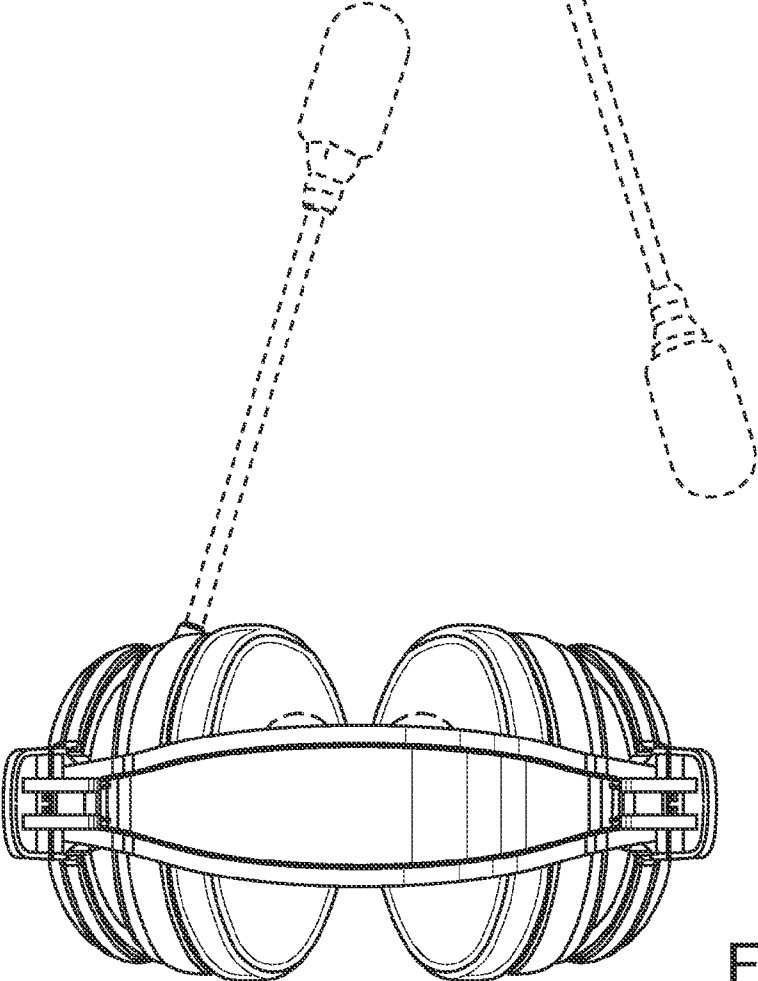


FIG. 7