



US00D918014S

(12) **United States Design Patent**
Rabon

(10) **Patent No.:** **US D918,014 S**

(45) **Date of Patent:** **** May 4, 2021**

- (54) **PORTABLE SPA COVER LOCK**
- (71) Applicant: **Walter Eugene Rabon**, Jasper, AR (US)
- (72) Inventor: **Walter Eugene Rabon**, Jasper, AR (US)
- (**) Term: **15 Years**
- (21) Appl. No.: **29/748,710**
- (22) Filed: **Aug. 31, 2020**
- (51) **LOC (13) Cl.** **08-07**
- (52) **U.S. Cl.**
USPC **D8/338**
- (58) **Field of Classification Search**
USPC D8/337, 338
CPC A44B 17/00; A44B 17/0052; B65D 55/10; B65D 55/14; B65D 55/165; B65D 50/068; B65D 88/42; Y10T 70/333; Y10T 70/40; Y10T 70/5009; Y10T 70/5265; Y10T 70/5442; Y10T 70/7237; Y10T 70/7367; Y10T 70/7977; Y10T 70/7989; Y10T 70/7994
See application file for complete search history.

- 8,650,723 B2 * 2/2014 Reiter A44B 17/0011 24/303
- 9,062,476 B2 * 6/2015 Kao E05B 73/0082
- D743,782 S 11/2015 Rabon
- 9,422,748 B2 * 8/2016 Liu E05B 63/006
- 9,538,815 B2 * 1/2017 Lu F16B 21/07
- 9,790,714 B1 * 10/2017 Stadler F16K 35/10
- 10,314,371 B2 * 6/2019 van Niekerk A44B 17/0023
- 10,494,842 B2 * 12/2019 Lepper E05B 65/006

* cited by examiner

Primary Examiner — Doris Clark

(74) *Attorney, Agent, or Firm* — Quickpatents, LLC; Kevin Prince

(57) **CLAIM**

The ornamental design for a portable spa cover lock, as shown and described.

DESCRIPTION

FIG. 1 is an exploded top perspective view of a portable spa cover lock, showing my new design;
 FIG. 2 is a top perspective view thereof;
 FIG. 3 is a bottom perspective view thereof;
 FIG. 4 is a left-side elevational view thereof, the right-side elevational view being a mirror image thereof;
 FIG. 5 is a rear elevational view thereof;
 FIG. 6 is a top plan view thereof;
 FIG. 7 is a front elevational view thereof; and,
 FIG. 8 is a bottom plan view thereof.

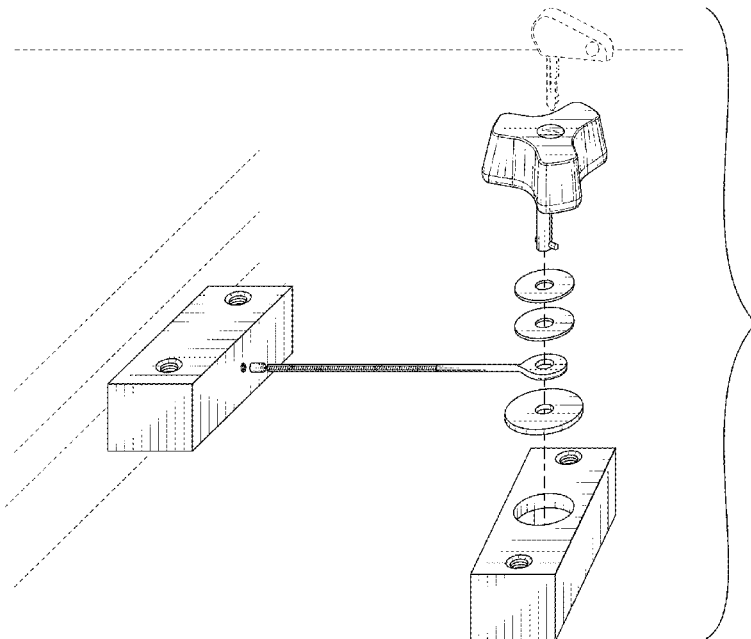
The broken lines showing a key and spa in FIG. 1 depict environmental matter and form no part of the claimed design. The remaining broken lines represent portions of the portable spa cover lock that form no part of the claimed design.

(56) **References Cited**

U.S. PATENT DOCUMENTS

- D292,172 S * 10/1987 Miller D8/338
- D323,776 S * 2/1992 Hansen D8/306
- D445,017 S * 7/2001 Kronemeyer D8/337
- 7,413,095 B2 * 8/2008 Bertani B65D 55/10 220/210
- 8,402,618 B2 * 3/2013 Veldhoen F16B 5/0692 24/684
- 8,585,316 B2 * 11/2013 Taylor E02D 29/00 404/25

1 Claim, 4 Drawing Sheets



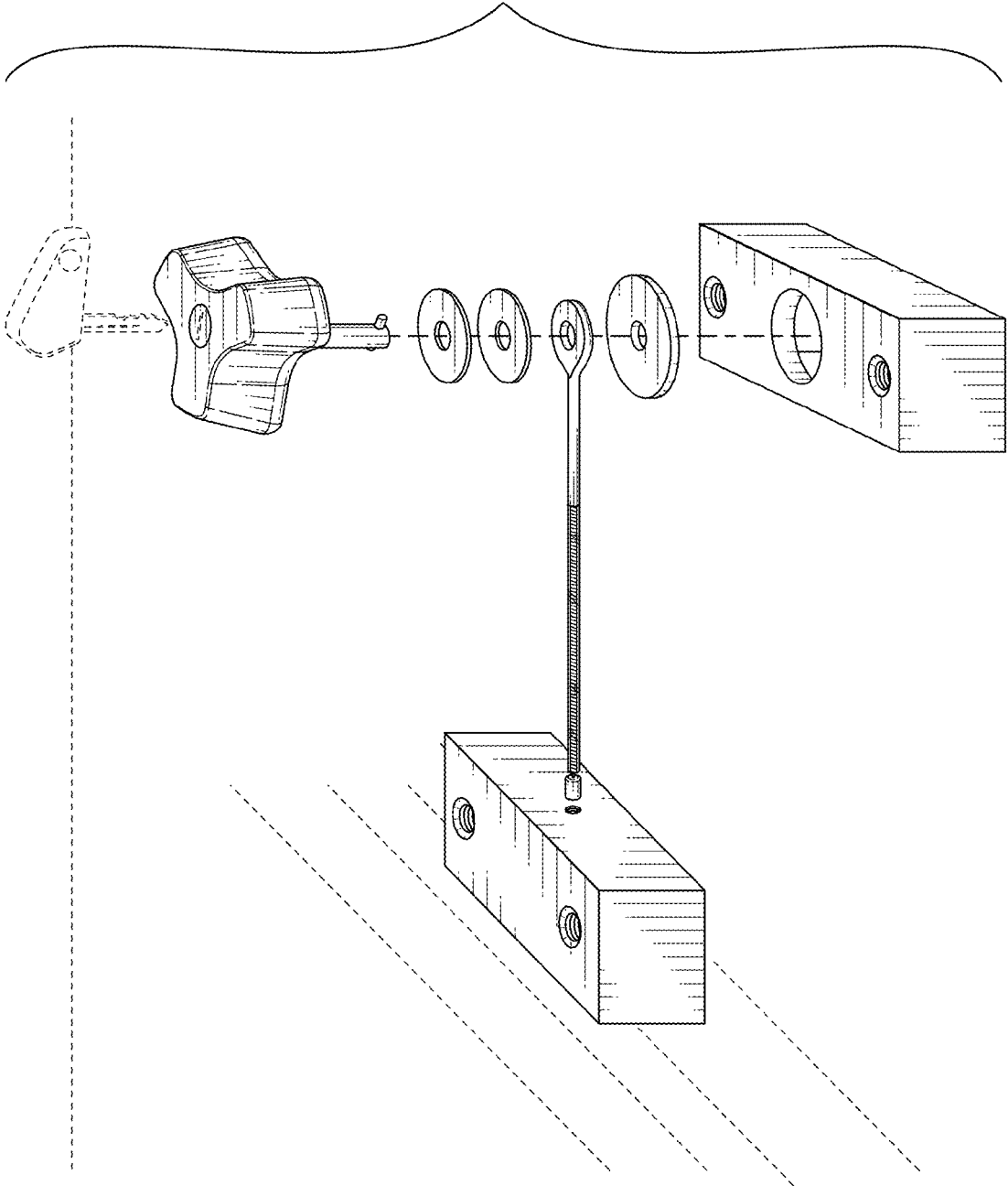


FIG. 1

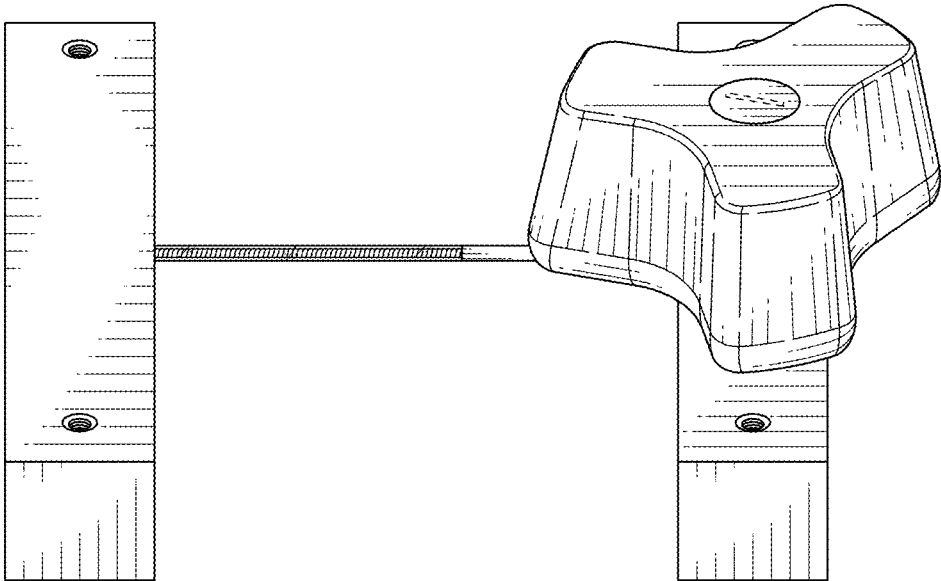


FIG. 2

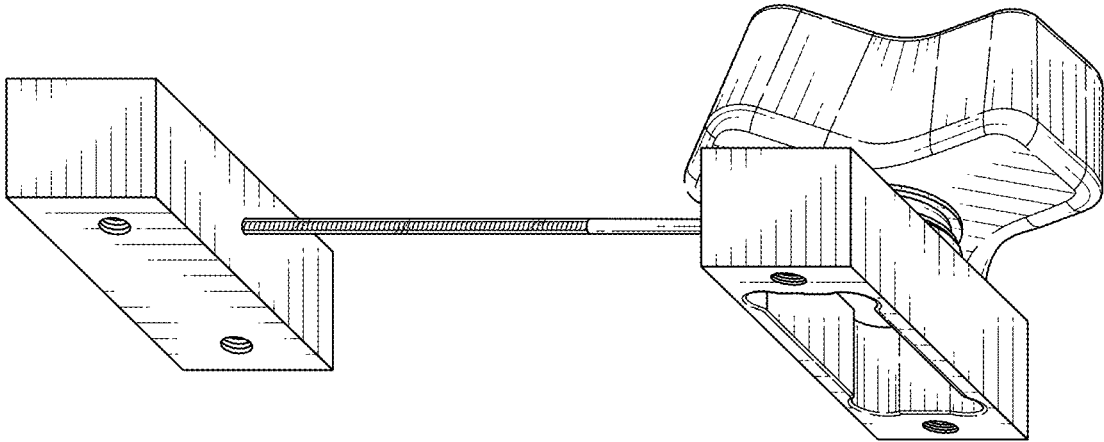


FIG. 3

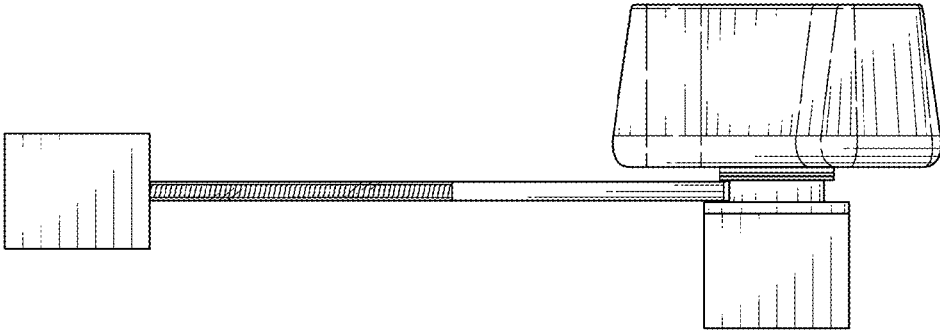


FIG. 4

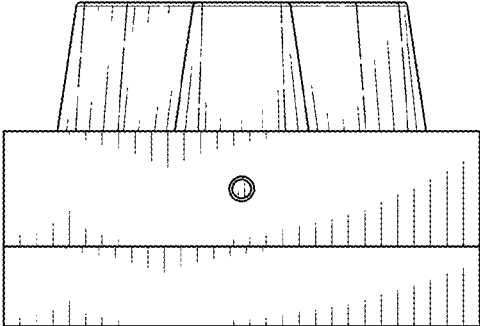


FIG. 5

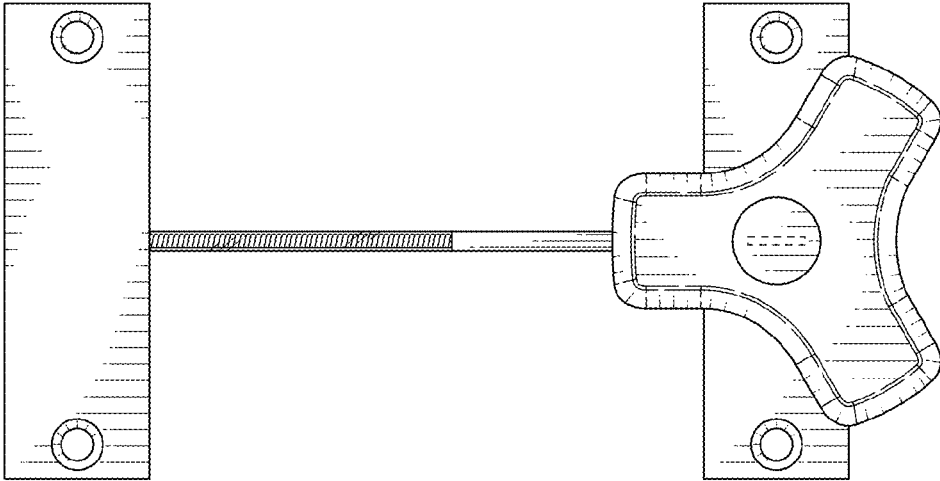


FIG. 6

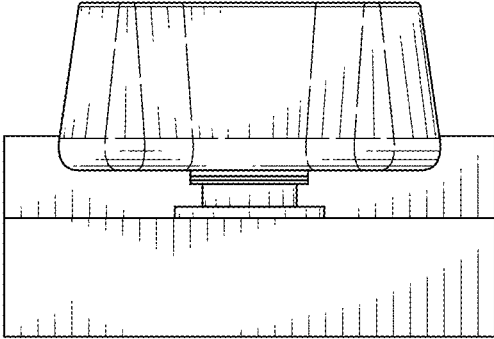


FIG. 7

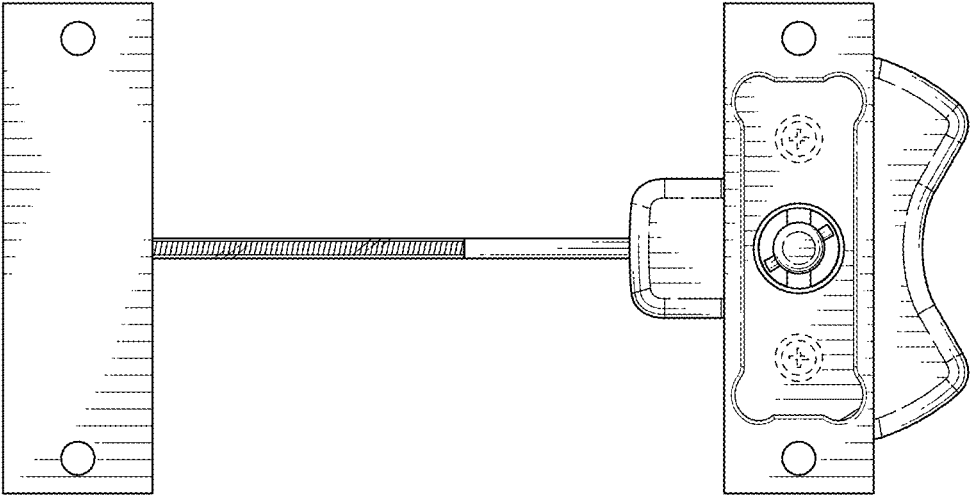


FIG. 8