



(12) **United States Design Patent**  
**Behar et al.**

(10) **Patent No.:** **US D837,671 S**  
(45) **Date of Patent:** **\*\* Jan. 8, 2019**

(54) **TRACKING DEVICE**

(71) Applicant: **Tile, Inc.**, San Mateo, CA (US)  
(72) Inventors: **Yves Behar**, San Francisco, CA (US);  
**John Mathew Depew**, Sunnyvale, CA (US);  
**Michael George Farley**, San Mateo, CA (US);  
**Vijay Shankar**, Sunnyvale, CA (US);  
**Richard Philip Sillman**, Los Altos, CA (US);  
**Valentin Jean Charles Marcel Sollier**, San Francisco, CA (US);  
**Christopher Sean Wheaton**, San Francisco, CA (US)

(73) Assignee: **Tile, Inc.**, San Mateo, CA (US)

(\*\*) Term: **15 Years**

(21) Appl. No.: **29/612,676**

(22) Filed: **Aug. 3, 2017**

(51) **LOC (11) Cl.** ..... **10-04**

(52) **U.S. Cl.**  
USPC ..... **D10/70; D10/104.2; D10/106.92; D10/106.94**

(58) **Field of Classification Search**  
USPC ..... D10/65, 70, 74, 104.2, 106.92, 106.93, D10/106.94  
CPC ..... A41D 1/02; A44C 5/0015; A44C 5/02; A44C 5/14; A61B 19/44; A61B 2019/446; A61B 71/00; A61B 71/0686; A61B 5/02416; A61B 5/1118; A61B 2/721; A61B 5/002; A61B 5/112; A61B 5/1122; A61B 5/746; A61B 5/6823; A61B 5/72; A61B 5/7445; A61B 5/0022; A61B 5/14532; A63B 71/06; A63B 26/00; A63B 24/0075; A63B 2071/0663; A63B 71/0686; A63B 24/0062; A63B 24/0084; A63B 2024/0068; A63B 2024/0078; A63B 2024/0056; A63B 2071/0625; A63B 2071/003; A63B 2071/063; A63B 2071/065; A63B

(Continued)

(56) **References Cited**

**U.S. PATENT DOCUMENTS**

D693,248 S \* 11/2013 Anderssen ..... D10/65  
D693,709 S 11/2013 Lee et al.

(Continued)

**FOREIGN PATENT DOCUMENTS**

JP 1175155 S 6/2003  
KR 30-0502290 8/2008  
KR 30-0518637 2/2009

**OTHER PUBLICATIONS**

Hislop, M., "yves behar's discreet design of 'tile', the minimalist bluetooth tracker," Oct. 11, 2016, [Online] [Retrieved Jul. 19, 2018], Retrieved from the internet <URL:https://www.designboom.com/technology/yves-behar-fuseproject-tile-bluetooth-tracker-10-11-2016/>.

(Continued)

*Primary Examiner* — Antoine Duval Davis  
(74) *Attorney, Agent, or Firm* — Fenwick & West LLP

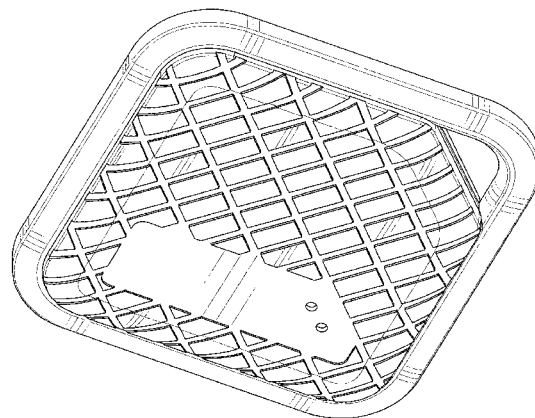
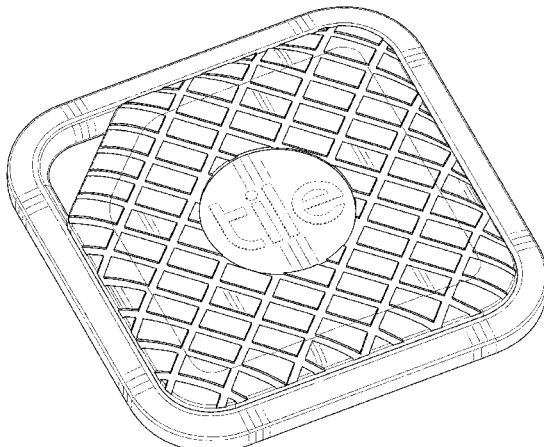
(57) **CLAIM**

The ornamental design for a tracking device, as shown and described.

**DESCRIPTION**

FIG. 1 is a top perspective view of a tracking device; FIG. 2 is a bottom perspective view thereof; FIG. 3 is a front elevational view thereof; FIG. 4 is a rear elevational view thereof; FIG. 5 is a left side elevational view thereof; FIG. 6 is a right side elevational view thereof; FIG. 7 is a top plan view thereof; and, FIG. 8 is a bottom plan view thereof. The broken lines in the drawings showing portions of the tracking device are included for the purpose of illustrating environmental structure and form no part of the claimed design.

**1 Claim, 8 Drawing Sheets**



(58) **Field of Classification Search**

CPC .. 2071/068; A63B 2071/0675; A63B 2220/40;  
 A63B 2220/803; A63B 2220/12; A63B  
 2220/20; A63B 2220/22; A63B 2220/30;  
 A63B 2225/50; A63B 2225/02; A63B  
 2225/06; A63B 2230/75; A63B  
 2024/0065; A63B 2024/0081; A63B  
 2220/51; A63B 2220/62; A63B 2220/836;  
 G09F 3/005; G06F 1/163; G06F 3/038;  
 G06F 3/03547; G04B 37/1486; G06Q  
 10/00; G06Q 50/00; G09B 9/00; G09B  
 19/00; G04F 10/00; G04G 17/04; G04G  
 21/02; G04G 21/00; G04G 21/08; G04G  
 17/00; G04G 17/08

See application file for complete search history.

(56) **References Cited**

U.S. PATENT DOCUMENTS

D723,957 S \* 3/2015 Evans ..... D10/70  
 D726,035 S \* 4/2015 Perez ..... D10/65

9,134,768 B2 \* 9/2015 Yoon ..... G06F 1/1626  
 9,183,719 B2 \* 11/2015 Gouge ..... A61B 5/01  
 D748,507 S \* 2/2016 Evans ..... D10/70  
 D761,138 S \* 7/2016 Manabe ..... D10/65  
 D778,246 S \* 2/2017 Kuriki ..... D13/180  
 D782,926 S \* 4/2017 Hojo ..... D10/65  
 D790,996 S \* 7/2017 Farley ..... D10/104.2  
 D801,200 S \* 10/2017 Farley ..... D10/70  
 D804,971 S \* 12/2017 Heikkila ..... D10/70  
 D814,323 S \* 4/2018 Bedingham ..... D10/70  
 D817,198 S \* 5/2018 Farley ..... D10/70  
 D817,199 S \* 5/2018 Farley ..... D10/70  
 D819,469 S \* 6/2018 Farley ..... D10/70

OTHER PUBLICATIONS

Website of Toppan Printing Co., Ltd. (JPO Publicly Known Design  
 No. HJ23031244), 2010, 5 pages (with concise explanation of  
 relevance).

\* cited by examiner

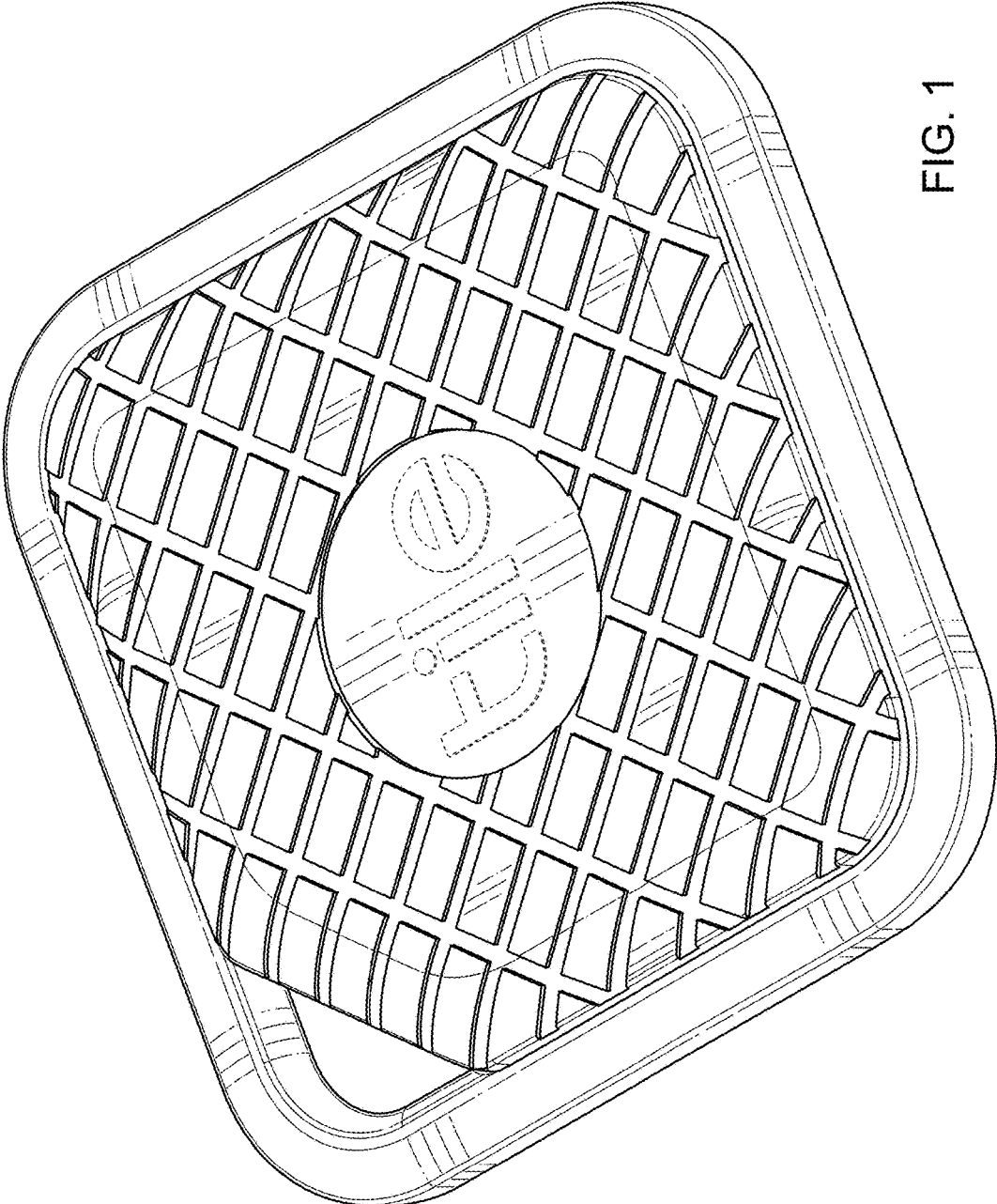


FIG. 1

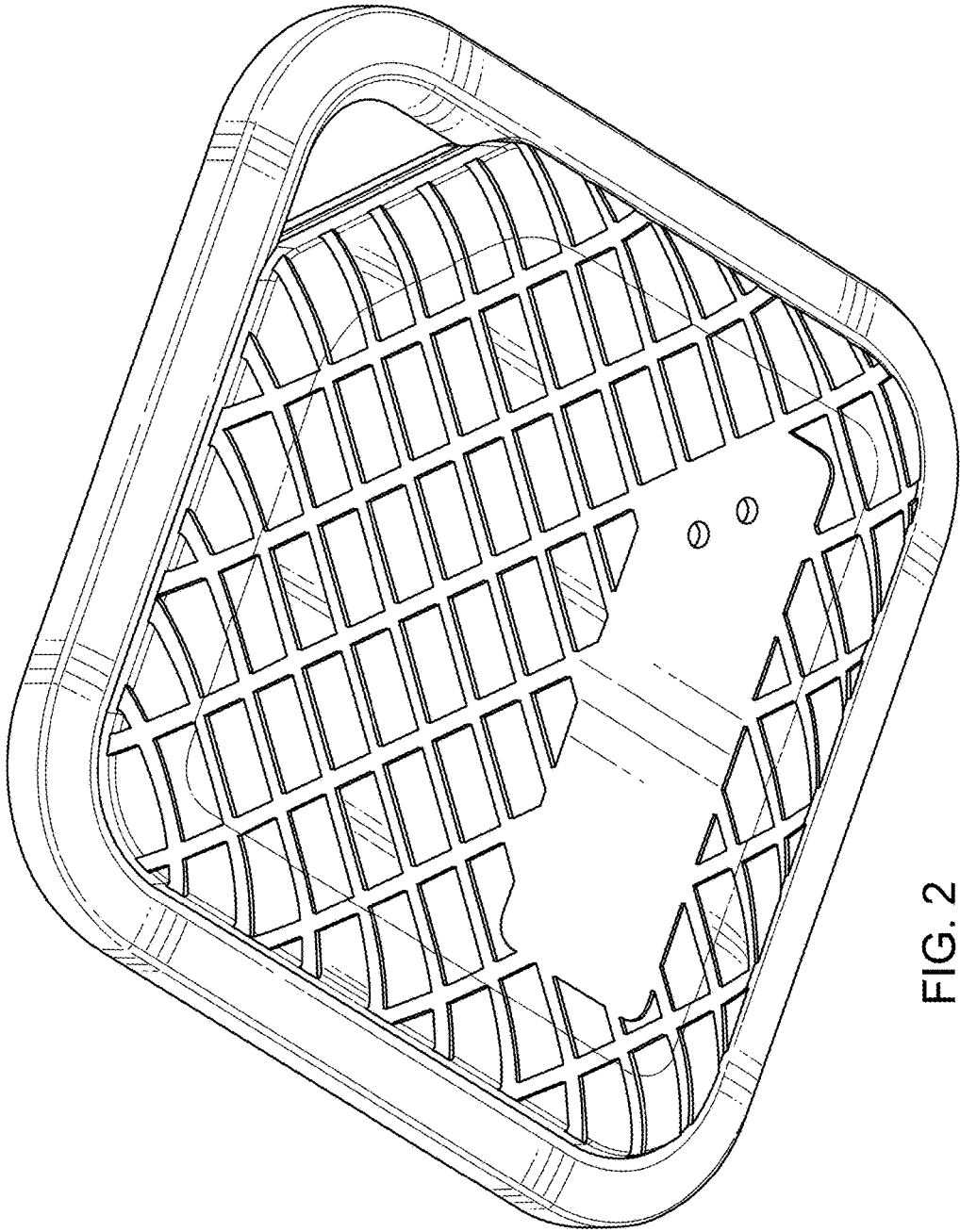


FIG. 2

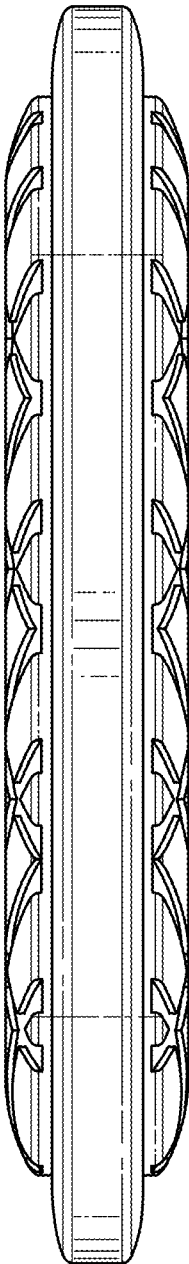


FIG. 3

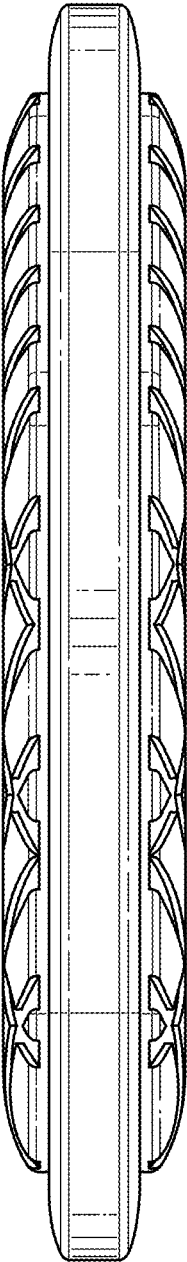


FIG. 4

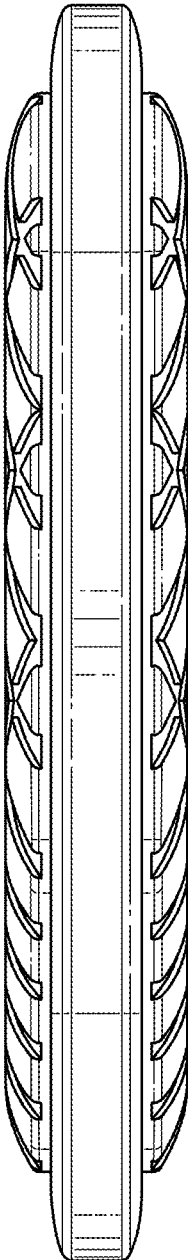


FIG. 5

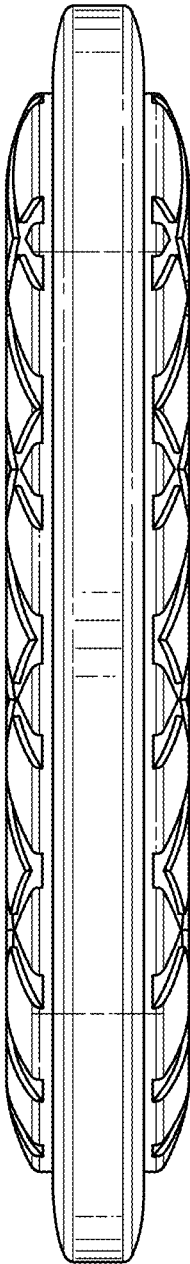


FIG. 6



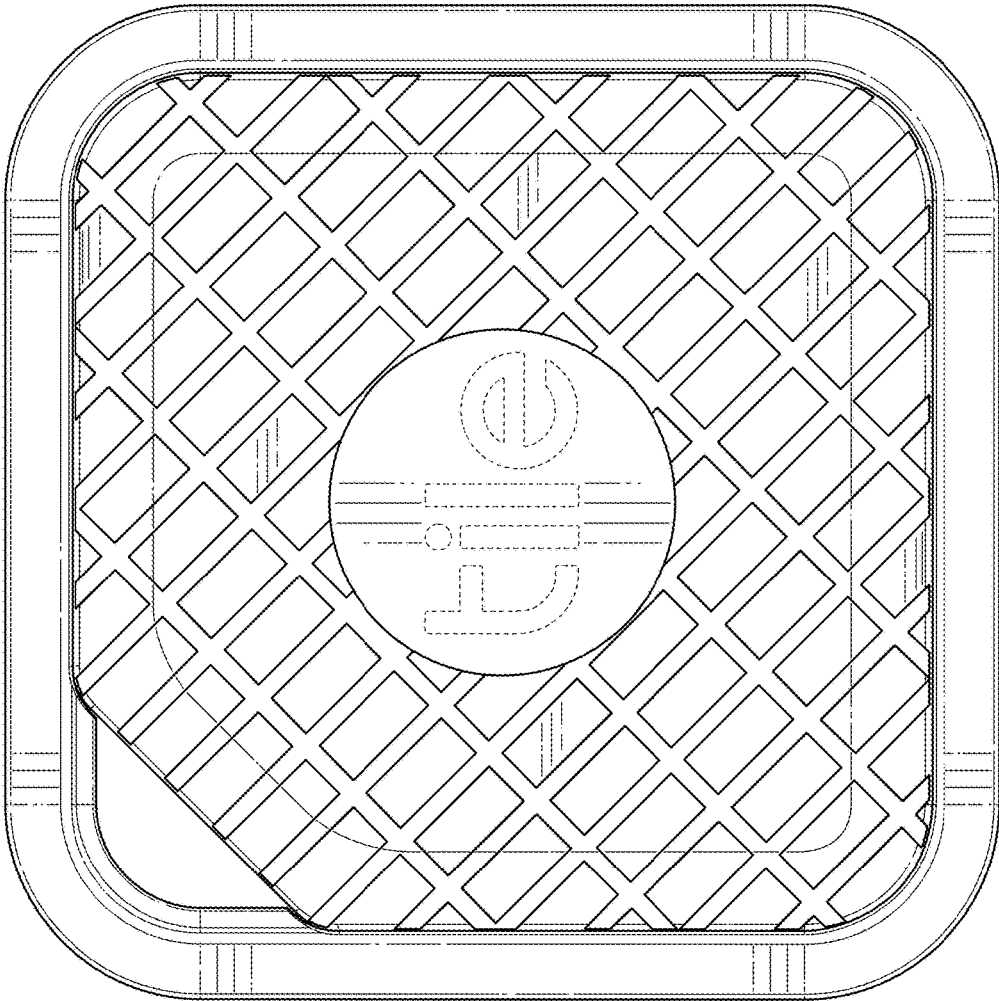


FIG. 7

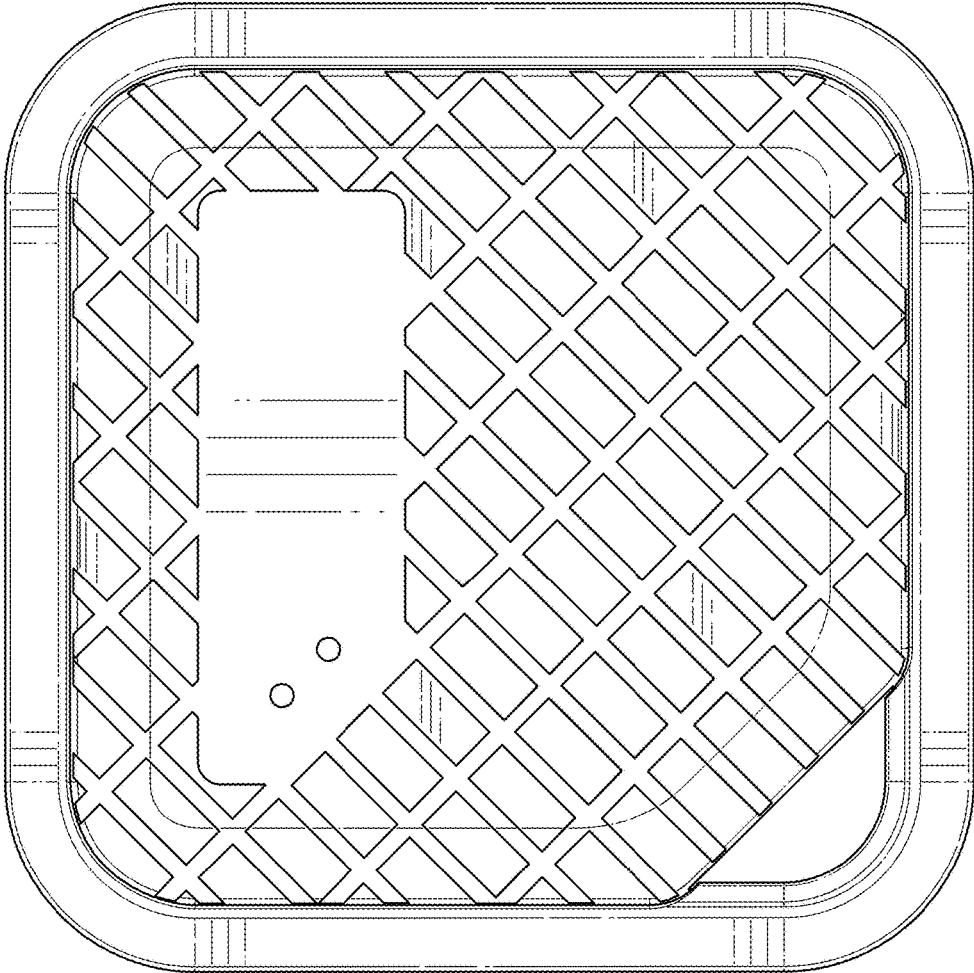


FIG. 8