

(19)  
(12)

(KR)  
(B1)

(51) 。 Int. Cl. 7  
H04Q 3/64

(45)  
(11)  
(24)

2002 05 02  
10 - 0334816  
2002 04 18

(21) 10 - 1999 - 0060153  
(22) 1999 12 22

(65) 2001 - 0063178  
(43) 2001 07 09

(73)

3 416

(72)

10

710

(74)

:

(54)

MIN

가

가

가

MIN

MIN

Prefix가

MIN

MIN

Prefix head digit 가

4

- 1
- 2                    MIN
- 3                    Prefix MIN
- 4                                    MIN
- 5                    가

MIN(Managed Intelligence Node)

가

MSC

가

가

가

가 가

가

가

MSC

MIN(Managed Intelligence Node)

VLR

VLR(Visitor Location Register)

MIN(M

Managed Intelligence Node)

가

가 가

가

MIN

MIN

MIN

MIN

MIN

Prefix가

Prefix he

MIN

ad digit

가

Prefix

1

MSC(Mobile Switching Center)(100)

MIN(Managed Intelligence Node)

MIP(Managed Intelligence Platform)(120) , BSC(Base Station Controller)(108)  
 , BSC(108) BTS(Base Transceiver Station)(110)  
 , (112) PSTN(Public Switched Telephone Net  
 work) (PLMN: Public Land Mobile Network) . BSC(108)  
 , (hand - off) . BTS(110) (112)  
 , . HLR(106) 가 (100) MSC ATM  
 . ( ) (100)

MIP(120) MIN1 MINn(A1 An) VLR(Variable  
 Location Register)

2 MIN

3 Prefix MIN

MIN MSC MIN MSC MIN

. MIN Prefix MIN 3  
 가

3 BSC(108)  
 가 MIN 가 Pre  
 fix Call MIN , MIN MIN  
 RD

B(Relation Data Base) 3 가 . Prefix 가 (M  
 obil Identity) (MIN2) 7  
 Prefix 3 Prefix MIN MIN VLR Prefix

가 MIN2가 6 Prefix MIN

4 MIN

101 (100) MIN1 MINn MI  
 N 102 MIN 10

3 MIN 104 Prefix 가 MIN Prefi  
 x head Digit('8') 가 Prefix MIN Prefix가 Prefix가 105

106 MIN MIN 가 MIN

refix field MIN Prefix head Digit '8' , (Mobile ID) (Mobile ID) P  
 108 MIN 102 MIN Prefix

04 Prefix가 MIN Prefix head digit('8') 109 1

5 가

201 (100) MIN1 MINn MIN  
 (Connect ind) 202 MIN (Connect  
 ind) 203 210 (Connection Re  
 sponse) 211 가  
 204 MIN 205 Prefix 가  
 MIN Prefix head Digit('8') 가 Prefix 가  
 206 3 MIN Prefix가 Prefix가  
 207 MIN MIN 가 210  
 (Connection Response) 211  
 208 (Mobile ID) Prefix field MIN Prefix head  
 Digit '8' , (Mobile ID) MIN Prefix 209  
 MIN 202 205 Prefix가  
 MIN Prefix head digit('8') 210 (Connection Response) 211

가 VLR MIP MIN VLR  
 MIN

(57)

1.

VLR(Visitor Location Register)

MIN(Managed Intelligence Node)

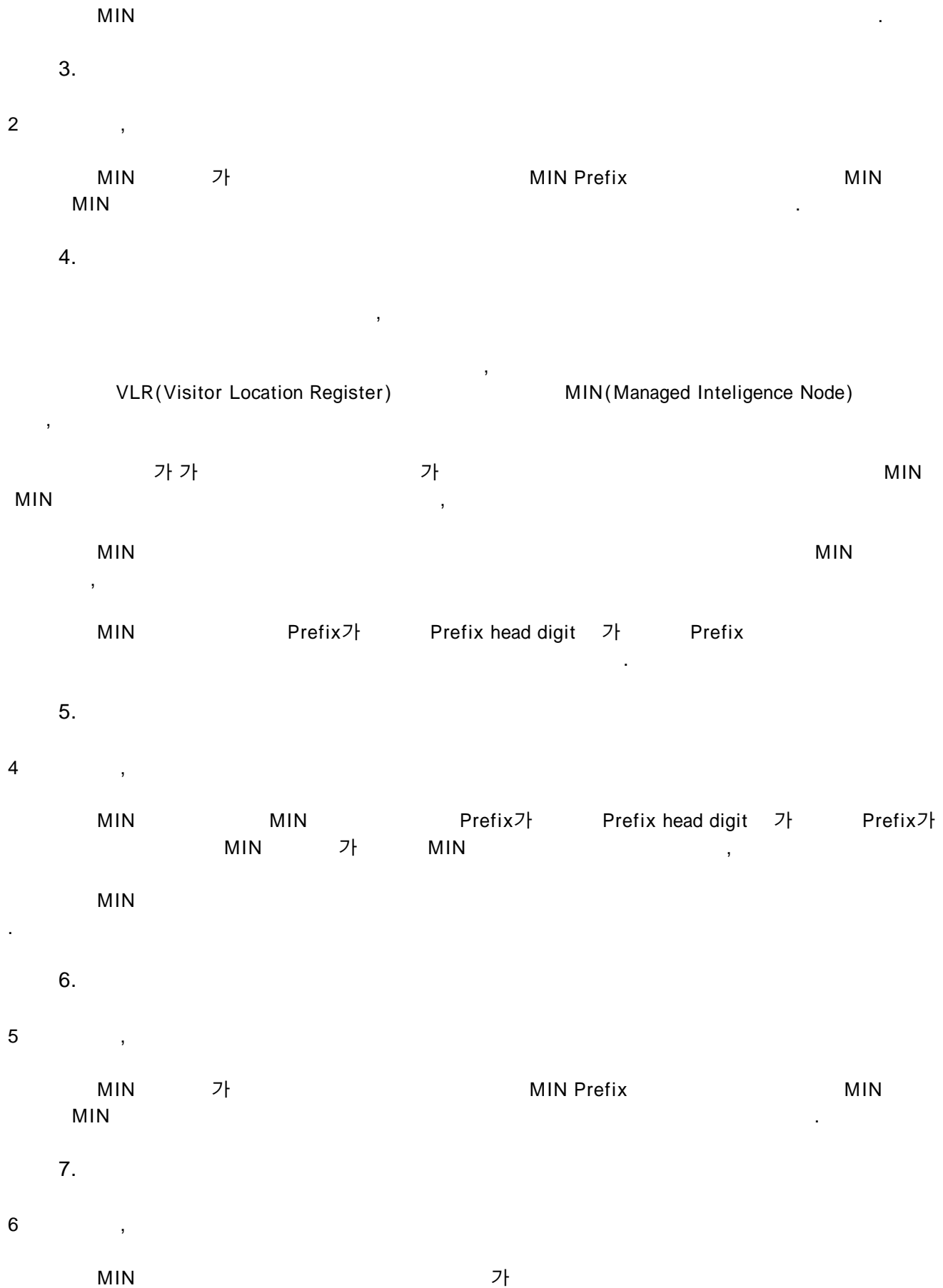
MIN 가 가 가 MIN

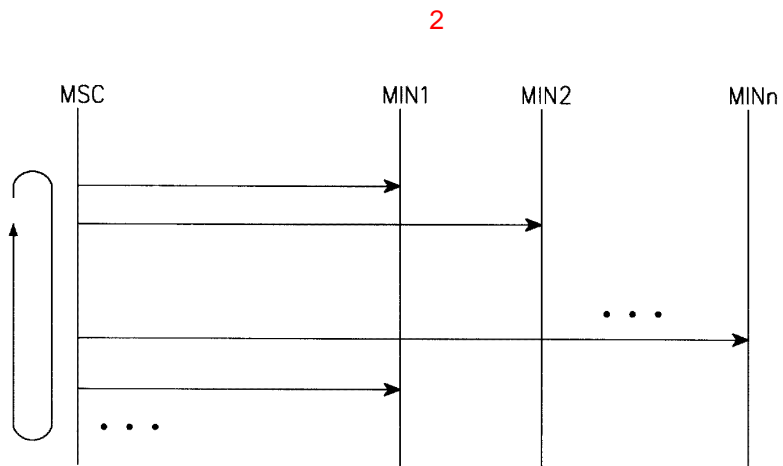
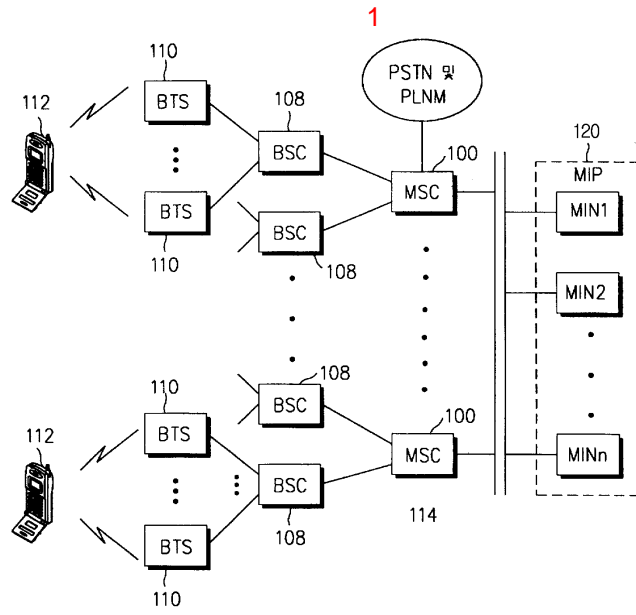
MIN MIN

MIN MIN Prefix가 Prefix head digit 가 Prefix

2.

1 ,  
 MIN MIN Prefix가 Prefix head digit 가 Prefix가  
 MIN 가 MIN





3

PREFIX	CALL MIN ADDRESS	MIN STATUS
XXX	MIN1	AVAILABLE OR UNAVAILABLE
YYY	MIN2	AVAILABLE OR UNAVAILABLE
???	???	AVAILABLE OR UNAVAILABLE

4

