



(51) International Patent Classification ⁶ :
H01P 1/06

A3

(11) International Publication Number: WO 96/00988

(43) International Publication Date: 11 January 1996 (11.01.96)

(21) International Application Number: PCT/SE95/00792

(22) International Filing Date: 27 June 1995 (27.06.95)

(30) Priority Data:
9402308-2 29 June 1994 (29.06.94) SE

(71) Applicant (for all designated States except US): SIVERS IMA
AB [SE/SE]; P.O. Box 1274, S-164 28 Kista (SE).

(72) Inventor; and

(75) Inventor/Applicant (for US only): ORS, Göran [SE/SE];
Pärörögången 235, S-135 33 Tyresö (SE).

(74) Agent: AWAPATENT AB; P.O. Box 45086, S-104 30
Stockholm (SE).

(81) Designated States: US, European patent (AT, BE, CH, DE,
DK, ES, FR, GB, GR, IE, IT, LU, MC, NL, PT, SE).

Published

With international search report.

*Before the expiration of the time limit for amending the
claims and to be republished in the event of the receipt of
amendments.*

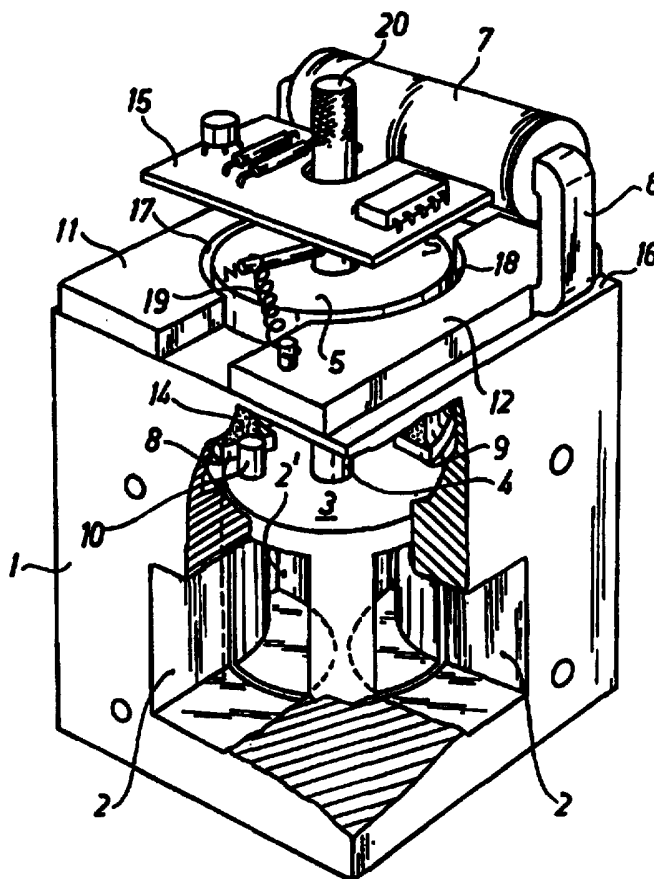
In English translation (filed in Swedish).

(88) Date of publication of the international search report:
22 February 1996 (22.02.96)

(54) Title: MICROWAVE SWITCH

(57) Abstract

A microwave switch comprising a switch housing (1) and a switch rotor (3), which may be rotated between defined switch positions by means of an electromechanical driving device. The driving device has a permanent magnetic rotor part (5) fixed directly onto the shaft (4) of the switch rotor and a stator part comprising a driving coil (7), a magnetic yoke (5) and pole shoes (11, 12). A shock absorbing disc is resiliently attached to the switch housing. The design allows for a compact construction having a low number of moveable parts and of low weight.



FOR THE PURPOSES OF INFORMATION ONLY

Codes used to identify States party to the PCT on the front pages of pamphlets publishing international applications under the PCT.

| | | | | | |
|----|--------------------------|----|--|----|--------------------------|
| AT | Austria | GB | United Kingdom | MR | Mauritania |
| AU | Australia | GE | Georgia | MW | Malawi |
| BB | Barbados | GN | Guinea | NE | Niger |
| BE | Belgium | GR | Greece | NL | Netherlands |
| BF | Burkina Faso | HU | Hungary | NO | Norway |
| BG | Bulgaria | IE | Ireland | NZ | New Zealand |
| BJ | Benin | IT | Italy | PL | Poland |
| BR | Brazil | JP | Japan | PT | Portugal |
| BY | Belarus | KE | Kenya | RO | Romania |
| CA | Canada | KG | Kyrgystan | RU | Russian Federation |
| CF | Central African Republic | KP | Democratic People's Republic of Korea | SD | Sudan |
| CG | Congo | KR | Republic of Korea | SE | Sweden |
| CH | Switzerland | KZ | Kazakhstan | SI | Slovenia |
| CI | Côte d'Ivoire | LI | Liechtenstein | SK | Slovakia |
| CM | Cameroon | LK | Sri Lanka | SN | Senegal |
| CN | China | LU | Luxembourg | TD | Chad |
| CS | Czechoslovakia | LV | Latvia | TG | Togo |
| CZ | Czech Republic | MC | Monaco | TJ | Tajikistan |
| DE | Germany | MD | Republic of Moldova | TT | Trinidad and Tobago |
| DK | Denmark | MG | Madagascar | UA | Ukraine |
| ES | Spain | ML | Mali | US | United States of America |
| FI | Finland | MN | Mongolia | UZ | Uzbekistan |
| FR | France | | | VN | Viet Nam |
| GA | Gabon | | | | |

INTERNATIONAL SEARCH REPORT

International application No.
PCT/SE 95/00792

A. CLASSIFICATION OF SUBJECT MATTER

IPC6: H01P 1/06

According to International Patent Classification (IPC) or to both national classification and IPC

B. FIELDS SEARCHED

Minimum documentation searched (classification system followed by classification symbols)

IPC6: H01P

Documentation searched other than minimum documentation to the extent that such documents are included in the fields searched

SE,DK,FI,NO classes as above

Electronic data base consulted during the international search (name of data base and, where practicable, search terms used)

C. DOCUMENTS CONSIDERED TO BE RELEVANT

| Category* | Citation of document, with indication, where appropriate, of the relevant passages | Relevant to claim No. |
|-----------|---|-----------------------|
| A | US 4665373 A (MICHELE MERLO), 12 May 1987 (12.05.87), figures 9-12, see whole document -- | 1-9 |
| A | GB 2029646 A (THE MARCONI COMPANY LIMITED), 19 March 1980 (19.03.80), figure 1, abstract -- ----- | 1-8 |

 Further documents are listed in the continuation of Box C.

 See patent family annex.

* Special categories of cited documents:

- "A" document defining the general state of the art which is not considered to be of particular relevance
- "E" earlier document but published on or after the international filing date
- "L" document which may throw doubts on priority claim(s) or which is cited to establish the publication date of another citation or other special reason (as specified)
- "O" document referring to an oral disclosure, use, exhibition or other means
- "P" document published prior to the international filing date but later than the priority date claimed

"T" later document published after the international filing date or priority date and not in conflict with the application but cited to understand the principle or theory underlying the invention

"X" document of particular relevance: the claimed invention cannot be considered novel or cannot be considered to involve an inventive step when the document is taken alone

"Y" document of particular relevance: the claimed invention cannot be considered to involve an inventive step when the document is combined with one or more other such documents, such combination being obvious to a person skilled in the art

"&" document member of the same patent family

Date of the actual completion of the international search

8 January 1996

Date of mailing of the international search report

09 -01- 1996

Name and mailing address of the ISA/
Swedish Patent Office
Box 5055, S-102 42 STOCKHOLM
Facsimile No. +46 8 666 02 86

Authorized officer

Peter Hedman
Telephone No. +46 8 782 25 00

INTERNATIONAL SEARCH REPORT
Information on patent family members

11/12/95

International application No.
PCT/SE 95/00792

| Patent document cited in search report | Publication date | Patent family member(s) | Publication date |
|--|------------------|---|----------------------------------|
| US-A- 4665373 | 12/05/87 | DE-A,C- 3526507 DE-U- 8515919 GB-A- 2160019 | 06/02/86 01/08/85 11/12/85 |
| GB-A- 2029646 | 19/03/80 | NONE | |