

(19) World Intellectual Property Organization  
International Bureau



(43) International Publication Date  
14 August 2008 (14.08.2008)

PCT

(10) International Publication Number  
**WO 2008/098193 A3**

- (51) **International Patent Classification:**  
*HOIM 2120 (2006.01)*
- (21) **International Application Number:**  
PCT/US2008/053463
- (22) **International Filing Date:** 8 February 2008 (08.02.2008)
- (25) **Filing Language:** English
- (26) **Publication Language:** English
- (30) **Priority Data:**  
60/889,130 9 February 2007 (09.02.2007) US  
60/960,348 26 September 2007 (26.09.2007) US
- (71) **Applicant (for all designated States except US):** JOHN-SON CONTROLS--SAFT ADVANCED POWER SOLUTIONS LLC [US/US]; 1209 Orange Street, Wilmington, DE 19801-1120 (US).
- (72) **Inventors; and**
- (75) **Inventors/Applicants (for US only):** **TRESTER, Dale, B.** [US/US]; 3045 North 89th Street, Milwaukee, WI 53222 (US). **WOOD, Steven J** [US/US]; 4490 N Woodburn Street, Shorewood, WI 53211 (US).

**HOUCHIN-MILLER, Gary, P.** [US/US]; 205 E Calumet Road, Fox Point, WI 53217 (US).

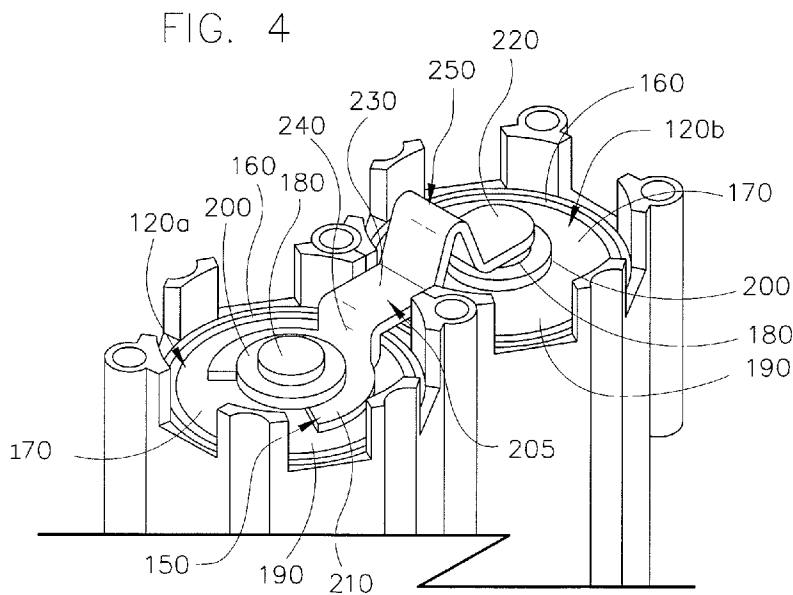
(74) **Agent:** **HUSSIN, Christopher, J.;** Lathrop & Clark LLP, 740 Regent Street, Suite 400, Madison, WI 53715 (US).

(81) **Designated States (unless otherwise indicated, for every kind of national protection available):** AE, AG, AL, AM, AO, AT, AU, AZ, BA, BB, BG, BH, BR, BW, BY, BZ, CA, CH, CN, CO, CR, CU, CZ, DE, DK, DM, DO, DZ, EC, EE, EG, ES, FI, GB, GD, GE, GH, GM, GT, HN, HR, HU, ID, IL, IN, IS, JP, KE, KG, KM, KN, KP, KR, KZ, LA, LC, LK, LR, LS, LT, LU, LY, MA, MD, ME, MG, MK, MN, MW, MX, MY, MZ, NA, NG, NI, NO, NZ, OM, PG, PH, PL, PT, RO, RS, RU, SC, SD, SE, SG, SK, SL, SM, SV, SY, TJ, TM, TN, TR, TT, TZ, UA, UG, US, UZ, VC, VN, ZA, ZM, ZW

(84) **Designated States (unless otherwise indicated, for every kind of regional protection available):** ARIPO (BW, GH, GM, KE, LS, MW, MZ, NA, SD, SL, SZ, TZ, UG, ZM, ZW), Eurasian (AM, AZ, BY, KG, KZ, MD, RU, TJ, TM), European (AT, BE, BG, CH, CY, CZ, DE, DK, EE, ES, FI, FR, GB, GR, HR, HU, IE, IS, IT, LT, LU, LV, MC, MT, NL, NO, PL, PT, RO, SE, SI, SK, TR), OAPI (BF, BJ, CF, CG, CI, CM, GA, GN, GQ, GW, ML, MR, NE, SN, TD, TG).

[Continued on next page]

(54) **Title:** BUSS BAR FOR BATTERIES



(57) **Abstract:** A buss bar for use in connecting terminals of cells in a battery module. The buss bar has a body including an arch feature that helps buss bar to form in response to vibratory forces and/or imperfect manufacturing tolerances. In various embodiments, the buss bar further includes a cover to substantially insulate conductive members of buss bars to reduce the possibility of a short circuit or shock when a battery module is damaged due to circumstances such as a vehicle crash. In various embodiments, the buss bar also includes a voltage sense terminal to help measure voltage and communicate voltage measurements to a controller or controller circuit board.

WO 2008/098193 A3



**Declaration under Rule 4.17:**

— *as to the applicant's entitlement to claim the priority of the earlier application (Rule 4.17(Hi))*

— *before the expiration of the time limit for amending the claims and to be republished in the event of receipt of amendments*

**Published:**

— *with international search report*

**(88) Date of publication of the international search report:**  
25 September 2008

INTERNATIONAL SEARCH REPORT

International application No

PCT/US 08/53463

A CLASSIFICATION OF SUBJECT MATTER

IPC(8) - H01 M 2/20 (2008.04)

USPC - 429/123

According to International Patent Classification (IPC) or to both national classification and IPC

B FIELDS SEARCHED

Minimum documentation searched (classification system followed by classification symbols)

IPC(8) H01M 2/20 (2008 04)

USPC 429/123

Documentation searched other than minimum documentation to the extent that such documents are included in the fields searched  
429/158, 429/160

Electronic data base consulted during the international search (name of data base and, where practicable, search terms used)

PubWEST (USPT, PGPB, EPAB, JPAB), DialogPRO (Engineering), Google Scholar

C DOCUMENTS CONSIDERED TO BE RELEVANT

Category*	Citation of document, with indication, where appropriate, of the relevant passages	Relevant to claim No
X — Y	US 2006/0127754 A 1 (HAMADA et al ) 15 June 2006 (15 01 2006) Figure 7, para [0055] and claim 4	1-5 ----- 6-12
Y	US 5985480 A (SATO et al ) 16 November 1999 (16 11 2006) Figure 8 and column 6 lines 46-57	6-9, 12
Y	US 2004/0190294 A 1 (GASQUET et al ) 30 September 2004 (30 09 2004) Figure 7 and para [0078]	9, 12
Y	US 6152776 (IKEDA et al ) 28 November 2000 (28 11 2000) Figure 25(A) and column 1 lines 15-36	10-11
Y	US 7037146 B2 (NAKAMURA) 02 May 2006 (02 05 2006) Figure 2 and abstract	11-12

Further documents are listed in the continuation of Box C

* Special categories of cited documents	"T" later document published after the international filing date or priority date and not in conflict with the application but cited to understand the principle or theory underlying the invention
"A" document defining the general state of the art which is not considered to be of particular relevance	"X" document of particular relevance, the claimed invention cannot be considered novel or cannot be considered to involve an inventive step when the document is taken alone
"E" earlier application or patent but published on or after the international filing date	"Y" document of particular relevance, the claimed invention cannot be considered to involve an inventive step when the document is combined with one or more other such documents, such combination being obvious to a person skilled in the art
"L" document which may throw doubts on priority claim(s) or which is cited to establish the publication date of another citation or other special reason (as specified)	"&" document member of the same patent family
"O" document referring to an oral disclosure, use, exhibition or other means	
"P" document published prior to the international filing date but later than the priority date claimed	

Date of the actual completion of the international search

06 July 2008 (06 07 2008)

Date of mailing of the international search report

14 JUL 2008

Name and mailing address of the ISAAJS  
Mail Stop PCT, Attn ISA/US, Commissioner for Patents  
P O Box 1450, Alexandria, Virginia 22313-1450  
Facsimile No 571-273-3201

Authorized officer  
Lee W Young

PCT Helpdesk 571-272-4300  
PCTOSP 571-272-7774