



US00D762296S

(12) **United States Design Patent**
Badarello et al.

(10) **Patent No.:** **US D762,296 S**

(45) **Date of Patent:** **** Jul. 26, 2016**

(54) **CEILING FAN**

(71) Applicant: **Hunter Fan Company**, Memphis, TN
(US)

(72) Inventors: **Christophe Badarello**, Holly Springs,
MS (US); **Charles Botkin**, Cordova, TN
(US)

(73) Assignee: **HUNTER FAN COMPANY**, Memphis,
TN (US)

(**) Term: **14 Years**

(21) Appl. No.: **29/514,386**

(22) Filed: **Jan. 12, 2015**

(51) **LOC (10) Cl.** **23-04**

(52) **U.S. Cl.**
USPC **D23/377**

(58) **Field of Classification Search**
USPC D23/377, 379, 385, 387, 411-414, 499;
416/1, 5, 170 R, 214 R, 184, 206, 207,
416/210 R, 220 R, 244 R, 248; 392/364;
D26/59, 51, 72, 73, 80-86, 88, 90
CPC ... F04D 25/088; F04D 29/601; F04D 29/322;
F04D 29/324; F04D 29/38

See application file for complete search history.

(56) **References Cited**

U.S. PATENT DOCUMENTS

D97,601 S	11/1935	Funk	
D105,260 S *	7/1937	Brannan	D23/413
2,269,287 A	1/1942	Roberts	
D131,699 S *	3/1942	Funk	416/202
D185,104 S *	5/1959	Twist	D23/413
D334,232 S	3/1993	Searle	
D337,156 S *	7/1993	Jaeger	D23/377
D420,126 S	2/2000	Zetsche	
D463,020 S *	9/2002	Liu	D23/377
D475,775 S *	6/2003	Da Costa	D23/377

D483,474 S *	12/2003	Young	D23/413
D484,964 S	1/2004	Young	
D510,763 S	10/2005	Da Costa	
D517,675 S	3/2006	Young	
7,037,074 B2	5/2006	Hoshino	
D530,414 S	10/2006	Hoshino	
D535,011 S	1/2007	Gajewski	
D535,387 S	1/2007	Gajewski	
D536,083 S	1/2007	Gajewski	
D612,476 S	3/2010	Noble	

(Continued)

OTHER PUBLICATIONS

Ceiling Fan_CN302124326_Huang Xiaoming. (Design -Questel). orbit.com [online PDF] 3 pages. Publish date ranges from Oct. 10, 2012 [retrieved on Feb. 11, 2016]. Retrieved from Internet: <<http://sobjprd.questel.fr/export/QPTUJ214/pdf2/dc7bedca-9d8b-471d-9afb-1ccfdb8e06f0-151856.pdf>>.*

(Continued)

Primary Examiner — Susan Bennett Hattan
Assistant Examiner — Marie Fast Horse
(74) *Attorney, Agent, or Firm* — McGarry Bair PC

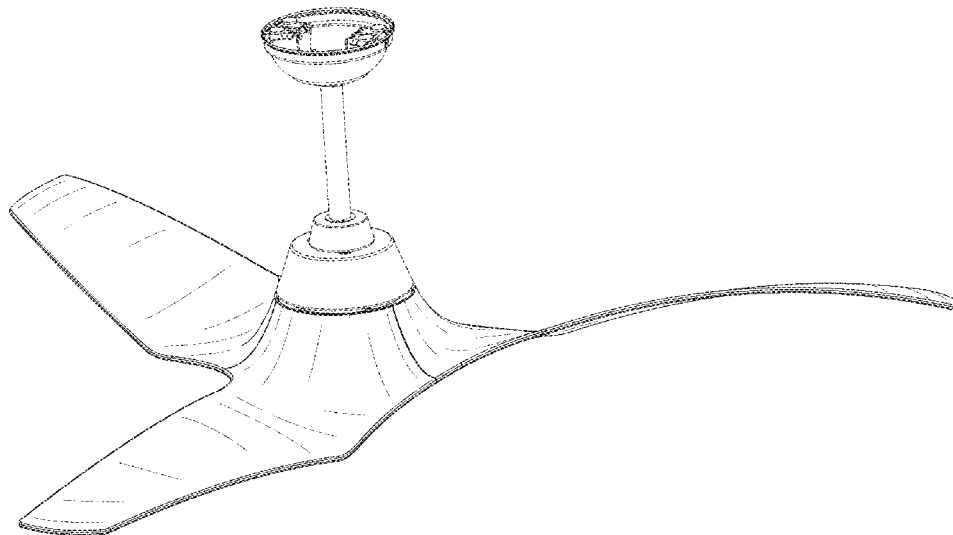
(57) **CLAIM**

Applicant claims the ornamental design for a ceiling fan, as shown and described.

DESCRIPTION

FIG. 1 is a perspective view of a ceiling fan showing our new design;
FIG. 2 is an additional perspective view thereof;
FIG. 3 is a side elevation view thereof;
FIG. 4 is an alternative side view thereof;
FIG. 5 is a top view thereof; and,
FIG. 6 is a bottom view thereof.
The broken lines in the drawings depict parts of the ceiling fan that form no part of the claimed design.

1 Claim, 6 Drawing Sheets



(56)

References Cited

U.S. PATENT DOCUMENTS

D614,757	S	4/2010	Noble	
D671,203	S	11/2012	Wang	
D675,720	S	2/2013	Conillas	
D680,210	S *	4/2013	Chan	D23/377
D690,409	S *	9/2013	Noble	D23/377
8,770,949	B2	7/2014	Noble	
D715,419	S	10/2014	Schulzman	
D716,438	S	10/2014	Liu	
D721,429	S	1/2015	Busta	
D741,468	S *	10/2015	Ertze	D23/377
2011/0165002	A1 *	7/2011	Noble	F04D 25/088 417/423.7
2012/0313553	A1 *	12/2012	Ko	F04D 25/088 315/362
2013/0189109	A1 *	7/2013	Noble	F01D 5/02 416/219 R

OTHER PUBLICATIONS

<http://www.craftmade.com/Craftmade-BSON60-WAL-No-Finish-Defined-Ceiling-Fan.HTM>, Item Specification for 60" Sonnet Blade Ceiling Fan BSON60-WAL, accessed Apr. 9, 2015.

<http://www.fanimation.com/products/wylde/>, Item Specification for Wylde Ceiling Fan FPD6220MQW, accessed Apr. 9, 2015.

<http://www.fanimation.com/products/torto/>, Item Specification for Torto Ceiling Fan FP7900BL, accessed Apr. 9, 2015.

<http://www.kichler.com/products/product/shuriken-52-ceiling-fan-oil-brushed-bronze-obb-300.aspx>, Item Specification for Shuriken 52" Ceiling Fan—Oil Brushed Bronze OBB 3002090BB, accessed Apr. 9, 2015.

<http://www.kichler.com/products/product/52-inch-ridley-fan-obb-300145obb.aspx>, Item Specification for 52 Inch Ridley Fan OBB 300145OBB, accessed Apr. 9, 2015.

<http://www.minkagroup.net/all-collections?keys=gilera>, Item Specification for Gilera 62" 3 Blade Ceiling Fan F733-WH, accessed Apr. 9, 2015.

<http://www.montecarlofans.com/44079/72in-Minimalist-Max---Rubberized-White-3MNL72RZWD.html>, Item Specification for Minimalist Max 72" Ceiling Fan 3MNL72RZWD, accessed Apr. 9, 2015.

<http://www.montecarlofans.com/20904/52-Mach-One-Fan---Titanium-3MO52TMO.html>, Item Specification for Mach One 52" Ceiling Fan, accessed Apr. 9, 2015.

<http://www.quoruminternational.com/index.cfm/app/productDetail?product=97003-014>, Item Specification for Chrome Ceiling Fan 97003-014, accessed Apr. 9, 2015.

<http://www.homedepot.com/p/Home-Decorators-Collection-Reagan-LED-II-52-in-Brushed-Nickel-Ceiling-Fan-YG423-BN/204739440?keyword=Reagan+LED>, Item Specification for Reagan LED II 52 in. Brushed Nickel Ceiling Fan YG423-BN, accessed Apr. 9, 2015.

<http://www.homedepot.com/p/Hampton-Bay-Florentine-IV-56-in-Brushed-Nickel-Ceiling-Fan-with-Wall-Control-AC299-BN/100063498>, Item Specification for Florentine IV 56 in. Brushed Nickel Ceiling Fan with Wall Control AC299-BN, accessed Apr. 9, 2015.

<http://www.homedepot.com/p/Westinghouse-Techno-52-in-Brushed-Aluminum-LED-Indoor-Ceiling-Fan-7800200/205427929>, Item Specification for Techno 52 in. Brushed Aluminum LED Indoor Ceiling Fan 7800200, accessed Apr. 9, 2015.

* cited by examiner

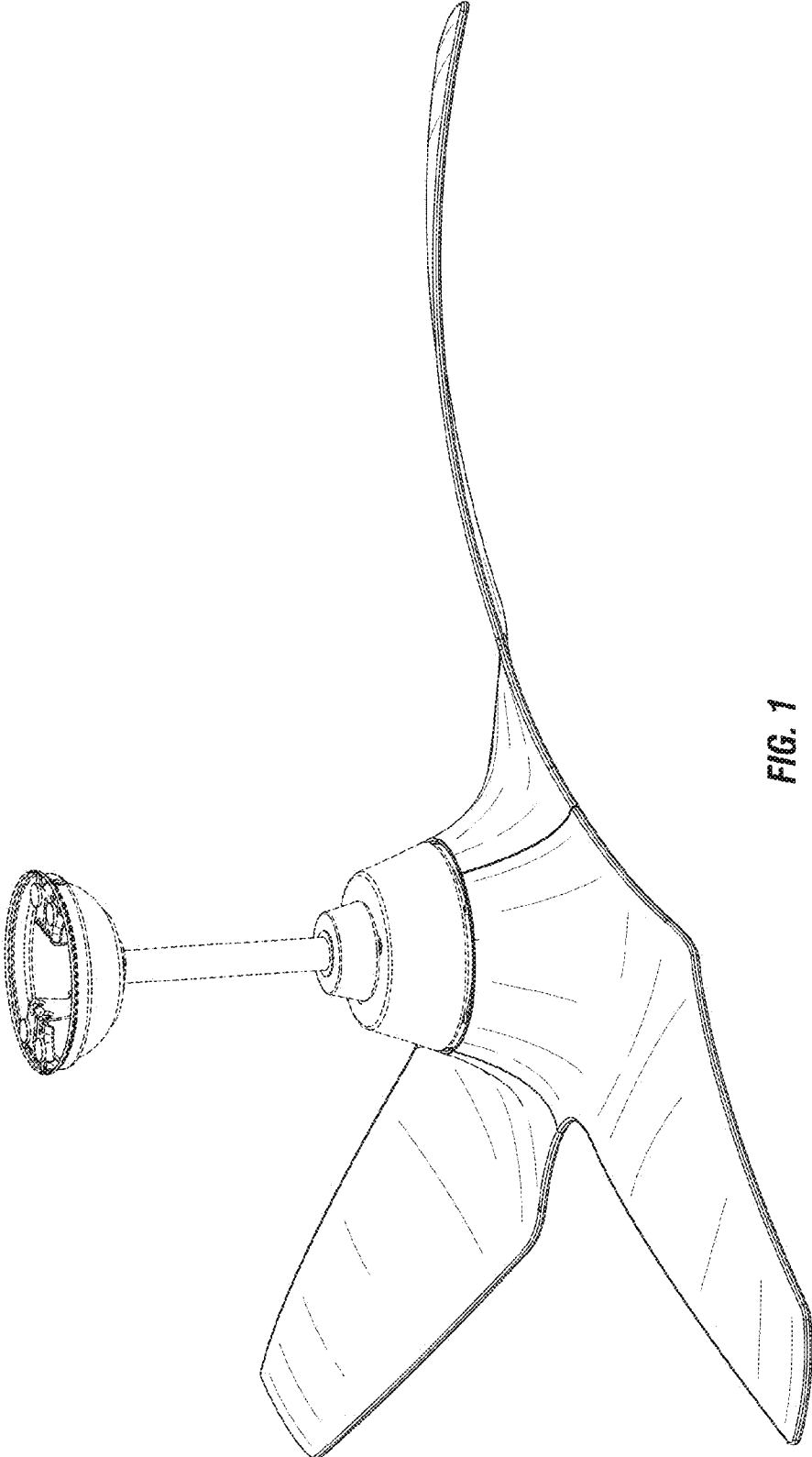


FIG. 1

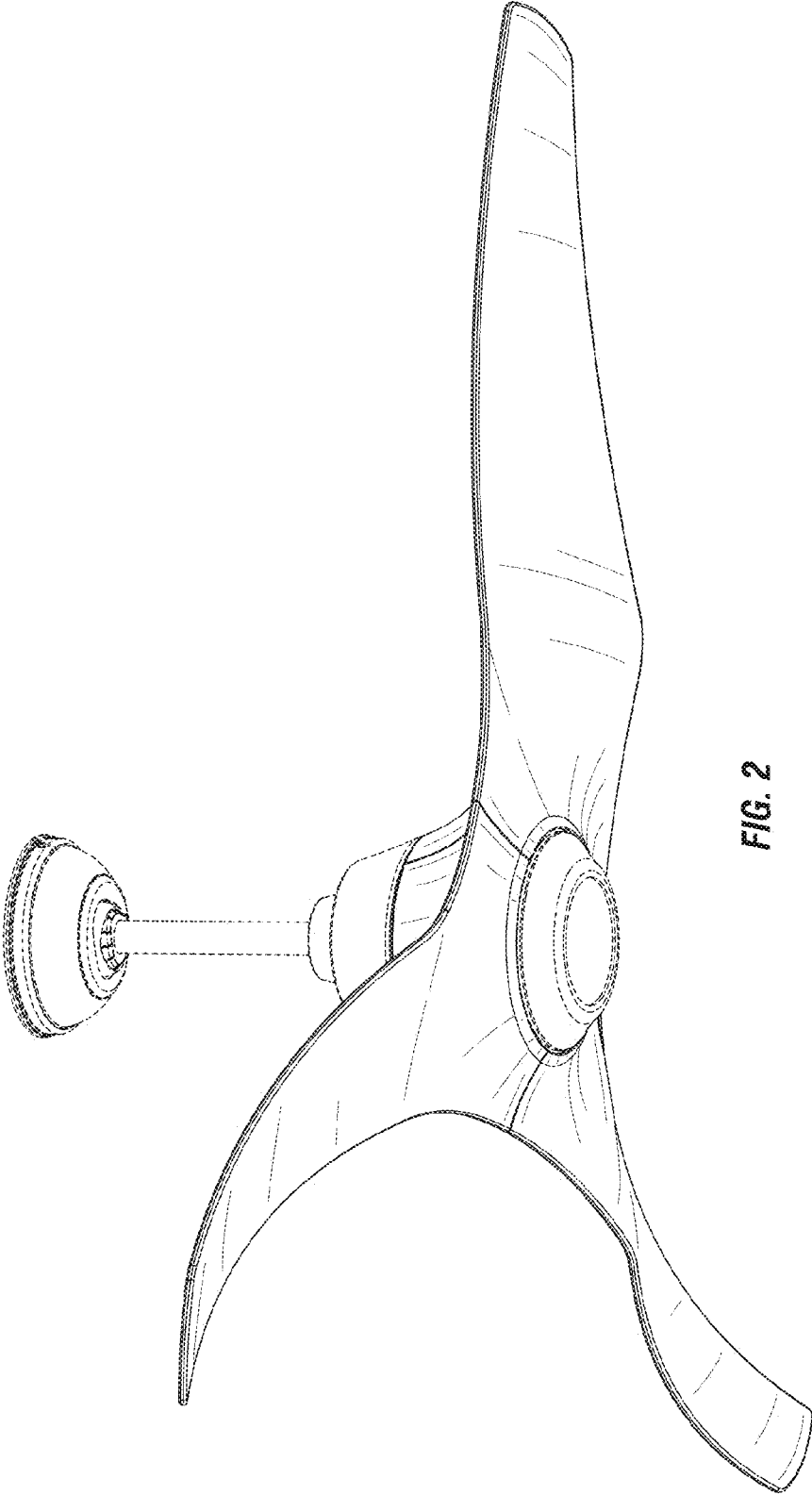


FIG. 2

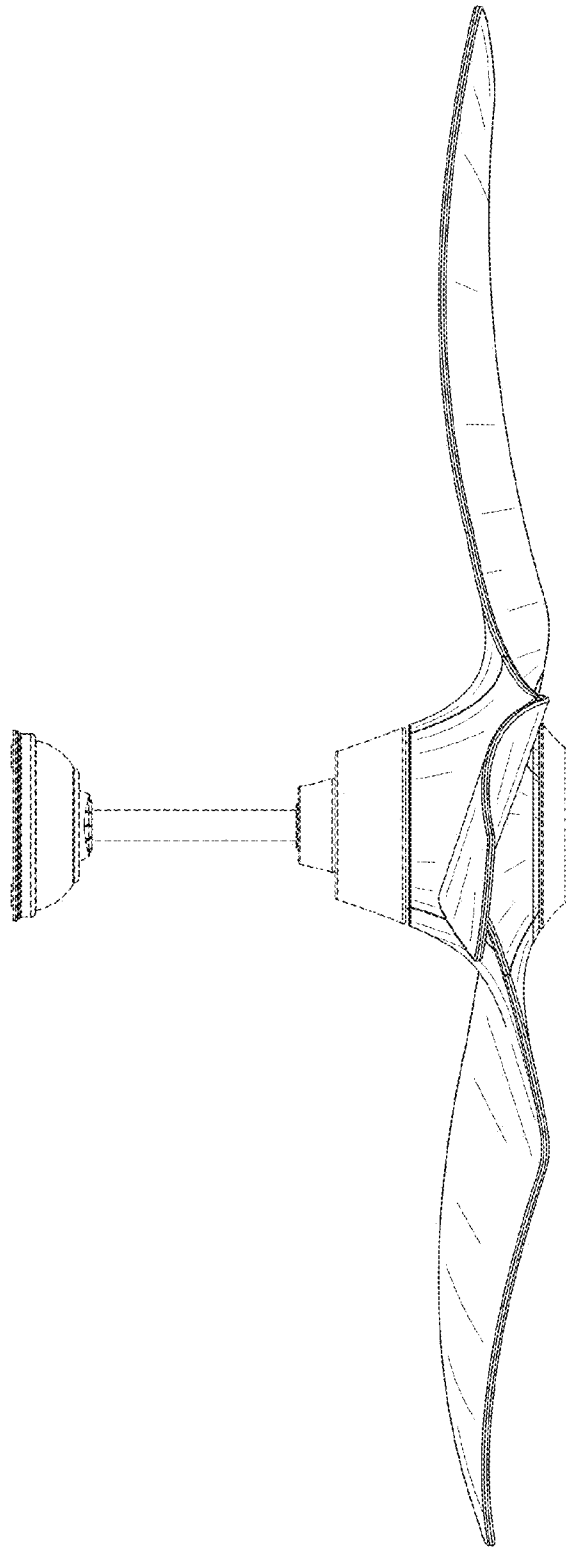


FIG. 3

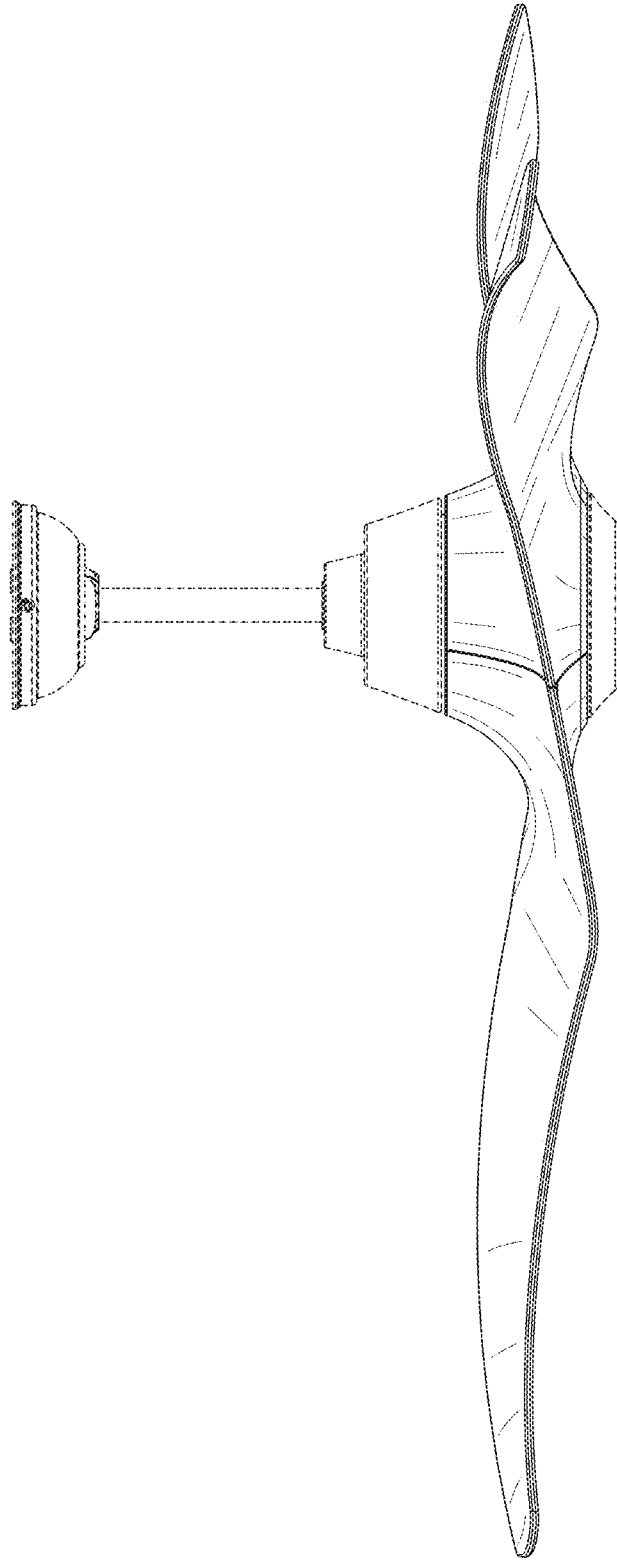


FIG. 4

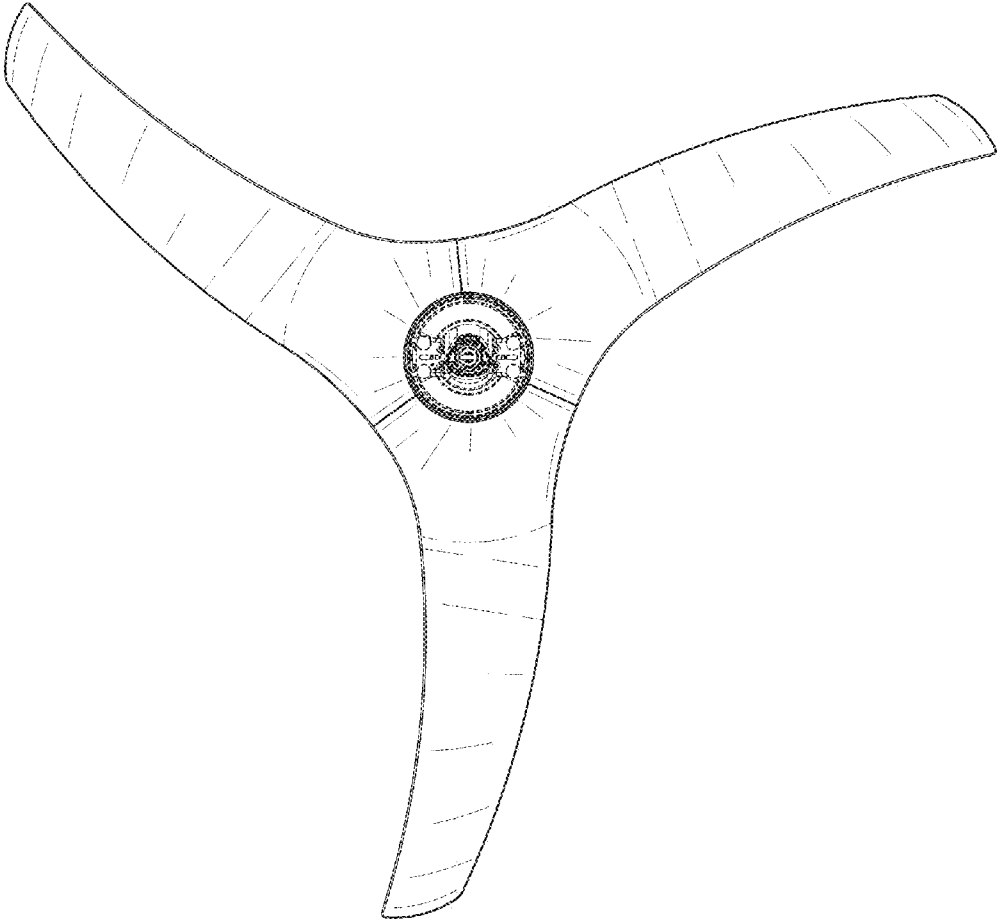


FIG. 5

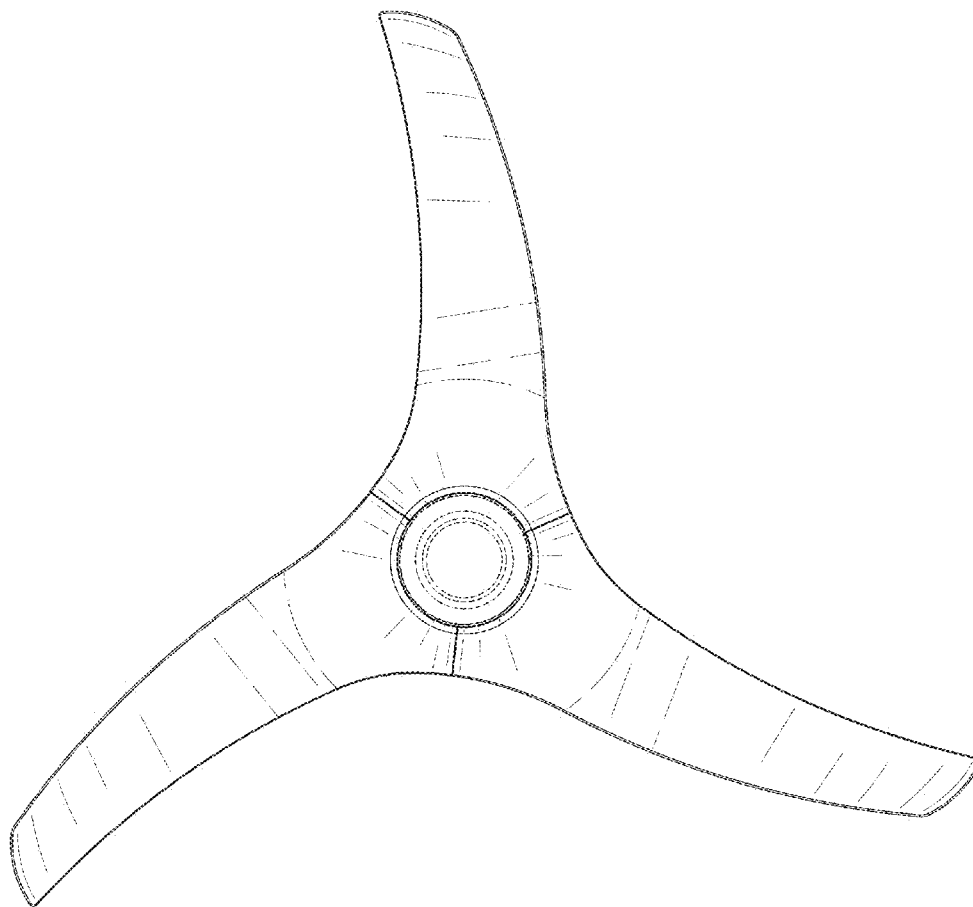


FIG. 6