



US00D693221S

(12) **United States Design Patent**
Ramsey et al.

(10) **Patent No.:** **US D693,221 S**

(45) **Date of Patent:** **** Nov. 12, 2013**

(54) **CLOSURE**

- (71) Applicant: **Crown Packaging Technology, Inc.**,
Alsip, IL (US)
- (72) Inventors: **Christopher Paul Ramsey**, Wantage
(GB); **Laura Vaughan**, Eglinton (GB)
- (73) Assignee: **Crown Packaging Technology, Inc.**,
Alsip, IL (US)

(**) Term: **14 Years**

(21) Appl. No.: **29/439,339**

(22) Filed: **Dec. 10, 2012**

(30) **Foreign Application Priority Data**

Jun. 8, 2012 (EM) 002054650

(51) **LOC (9) Cl.** **09-07**

(52) **U.S. Cl.**
USPC **D9/453**

(58) **Field of Classification Search**
USPC D9/455, 454, 453, 444, 440, 435, 434;
D7/396.2; D30/152; D2/627; D11/218,
D11/216, 215; 40/310; 222/490; 220/903,
220/739, 200; 215/200

See application file for complete search history.

(56) **References Cited**

U.S. PATENT DOCUMENTS

D465,731 S *	11/2002	Brant et al.	D9/453
D513,181 S *	12/2005	Bloom et al.	D9/453
D516,911 S *	3/2006	Bloom et al.	D9/453
D518,717 S *	4/2006	German	D9/453
D534,802 S *	1/2007	German	D9/453
D584,149 S *	1/2009	Lohrman et al.	D9/453
D592,954 S *	5/2009	Capretta et al.	D9/453
D606,864 S *	12/2009	Robinson	D9/453
D634,200 S *	3/2011	Taber et al.	D9/453

* cited by examiner

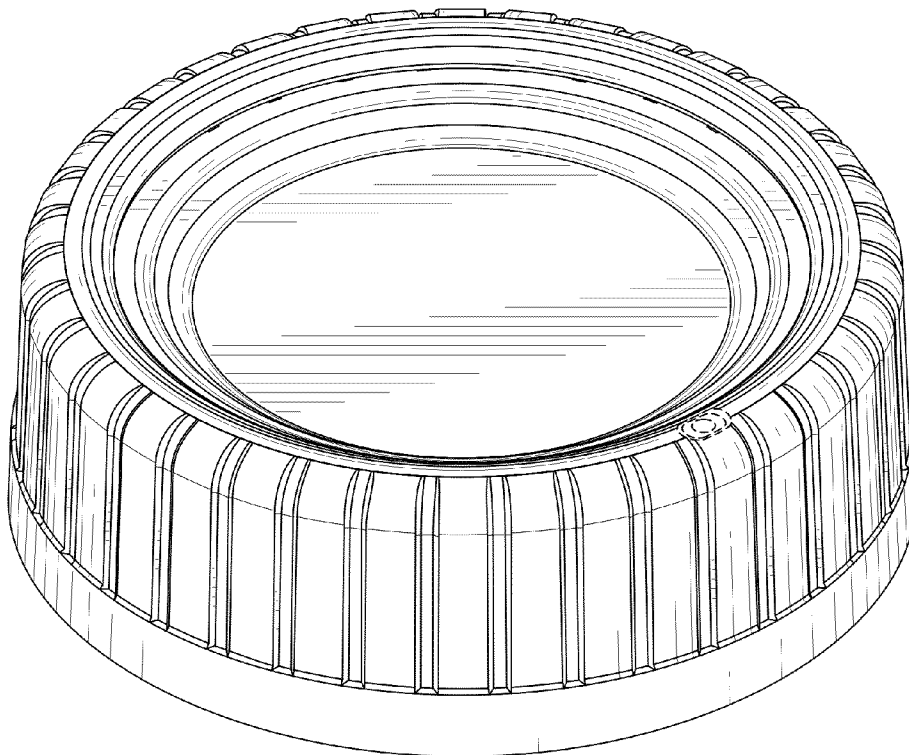
Primary Examiner — Susan Bennett Hattan
(74) *Attorney, Agent, or Firm* — The Patentwise Group, LLC

(57) **CLAIM**
The ornamental design for a “closure,” as shown and described.

DESCRIPTION

FIG. 1 is a top perspective view showing our new design, with a top perspective view taken from an opposing side having the same appearance; FIG. 2 is a bottom perspective view; and, FIG. 3 is a top plan view. Any broken lines in the drawings depict probable environment only and form no part of the claimed design.

1 Claim, 3 Drawing Sheets



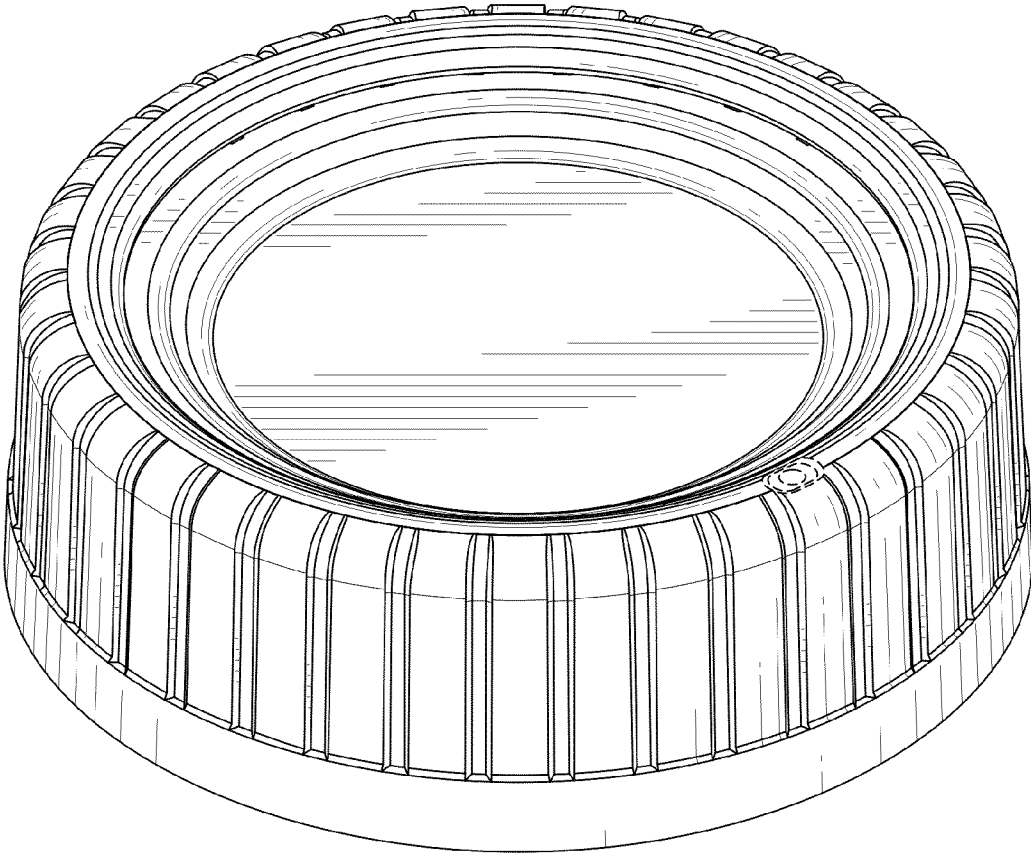


FIG. 1

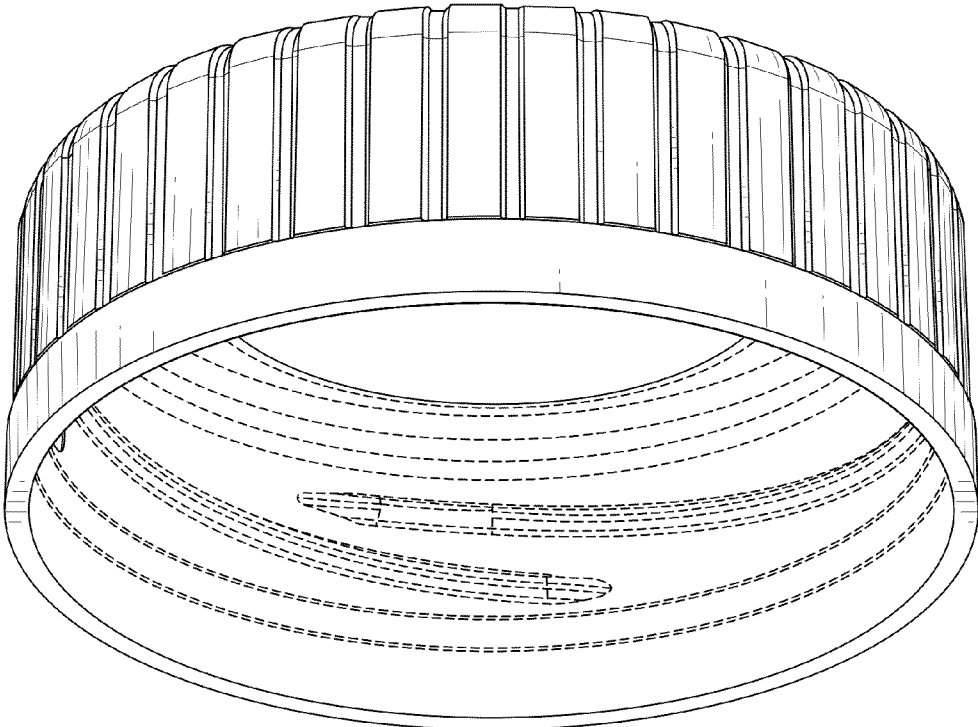


FIG. 2

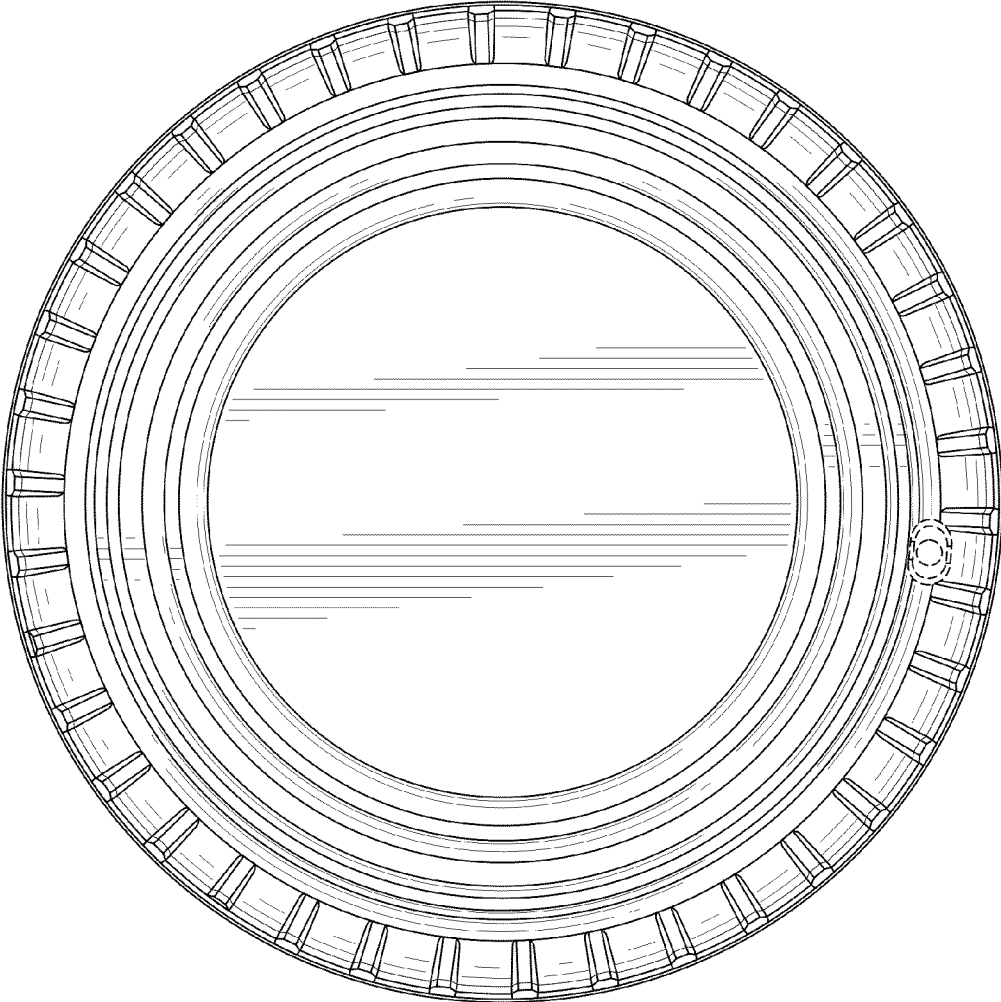


FIG. 3