



US0D1018687S

(12) **United States Design Patent**
Li et al.

(10) **Patent No.:** **US D1,018,687 S**
(45) **Date of Patent:** **** Mar. 19, 2024**

(54) **SCOOTER**

FOREIGN PATENT DOCUMENTS

(71) Applicant: **BEIJING XIAOMI MOBILE SOFTWARE CO., LTD.**, Beijing (CN)

CN 106428352 A * 2/2017 B62K 11/00
CN 304020522 * 2/2017 B62J 45/40

(Continued)

(72) Inventors: **Ningning Li**, Beijing (CN); **Lei Zhang**, Beijing (CN); **Bo Xu**, Beijing (CN); **Longfei Wang**, Beijing (CN)

OTHER PUBLICATIONS

(73) Assignee: **BEIJING XIAOMI MOBILE SOFTWARE CO., LTD.**, Beijing (CN)

Tim Nelson and Elizabeth Dunbar, "Electric scooter rentals debut in Twin Cities; Mpls. eyes regulation," Jul. 10, 2018, mprnews.org, site visited Jan. 23, 2023, URL: <https://www.mprnews.org/story/2018/07/10/electric-scooter-rentals-debut-twin-cities-hours-before-mpls-vote> (Year: 2018).*

(**) Term: **15 Years**

(Continued)

(21) Appl. No.: **35/514,399**

(22) Filed: **Dec. 1, 2021**

Primary Examiner — Darcey E Gottschalk

Assistant Examiner — Sarah L Smith

(80) **Hague Agreement Data**

Int. Filing Date: **Dec. 1, 2021**

Int. Reg. No.: **DM/217786**

Int. Reg. Date: **Dec. 1, 2021**

Int. Reg. Pub. Date: **Jun. 10, 2022**

(74) *Attorney, Agent, or Firm* — Arch & Lake LLP

(57) **CLAIM**

The ornamental design for a scooter, as shown and described.

(30) **Foreign Application Priority Data**

Jun. 1, 2021 (CN) 202130333457.5

(51) **LOC (14) Cl.** **12-11**

(52) **U.S. Cl.**

USPC **D21/423**

(58) **Field of Classification Search**

USPC D21/419, 421, 423, 760, 765, 771;
D12/1, 8, 107, 110, 112-114

(Continued)

DESCRIPTION

The patent or application file contains at least one drawing executed in color. Copies of this patent or patent application publication with color drawing(s) will be provided by the Office upon request and payment of the necessary fee.

FIG. 1.1 is a front view of a scooter;
FIG. 1.2 is a back view of the scooter;
FIG. 1.3 is a left view of the scooter;
FIG. 1.4 is a right view of the scooter;
FIG. 1.5 is a top view of the scooter;
FIG. 1.6 is a bottom view of the scooter;
FIG. 1.7 is a perspective view of the scooter; and
FIG. 1.8 is another perspective view of the scooter.
The portions of the scooter shown by coloring form no part of the claimed design.

(56) **References Cited**

U.S. PATENT DOCUMENTS

D839,358 S * 1/2019 Cao B62H 5/003

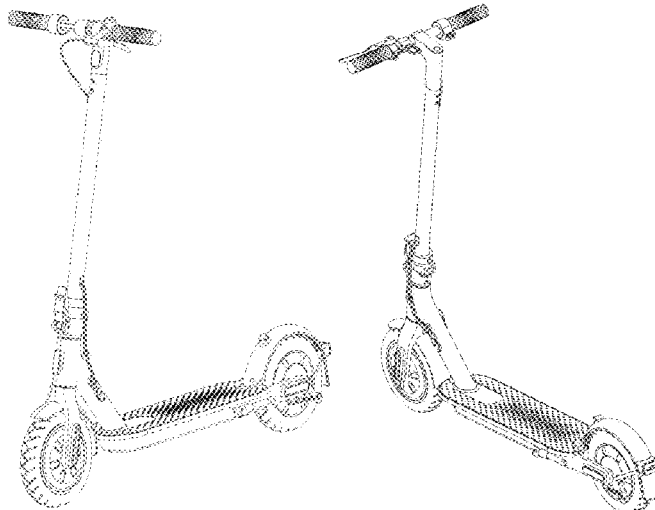
D21/423

D905,794 S * 12/2020 Liu H01M 50/20

D21/423

(Continued)

1 Claim, 8 Drawing Sheets
(8 of 8 Drawing Sheet(s) Filed in Color)



(58) **Field of Classification Search**
 CPC . B62K 3/002; B62K 9/00; B62K 9/02; B62K
 2202/00; B62K 13/00; B62K 11/00;
 B62K 11/02; B62K 11/06; B62K 11/10;
 B62K 15/00; B62K 17/00; B60Y
 2200/126; H04W 4/40
 See application file for complete search history.

WO DM210638 10/2020
 WO DM204111 1/2021
 WO DM212575 2/2021

OTHER PUBLICATIONS

“Xiaomi M365,” Jun. 17, 2019, en.wikipedia.org, site visited Jan. 23, 2023, URL: https://en.wikipedia.org/wiki/Xiaomi_M365#/media/File:Xiaomi_M365.jpg (Year: 2019).*

“Xiaomi M365 Pro vs. Xiaomi M365—The Good, the Bad and the Ugly—My Review,” Aug. 17, 2019, madcharge.com, site visited Jan. 23, 2023, URL: <https://www.madcharge.com/xiaomi-m365-pro-vs-xiaomi-m365/> (Year: 2019).*

Amy Tucker, “We tried both Calgary e-scooter brands Lime and Bird—here’s how they compare,” Jul. 30, 2019, thestar.com, site visited Jan. 23, 2023, URL: <https://www.thestar.com/calgary/2019/07/29/we-tried-both-calgary-e-scooter-brands-lime-and-bird-heres-how-they-compare.html> (Year: 2019).*

ESG, “Why the Xiaomi M365 is the Most Popular Scooter in the World | Xiaomi Mi M365 Review,” Feb. 18, 2020, youtube.com, site visited Jan. 23, 2023, URL: <https://www.youtube.com/watch?v=d52v3Annvug> (Year: 2020).*

“Xiaomi Mi Pro 2 Review—Better or Worse than the m365?” May 28, 2021, youtube.com, site visited Jan. 23, 2023, URL: <https://www.youtube.com/watch?v=d52v3Annvug> (Year: 2021).*

The First Office Action Issued in Taiwan Application No. 17/316,258, dated Sep. 13, 2022, (15p).

Tech Advisor—[Xiaomi] “Mi Scooter Pro 2”, dated Oct. 19, 2020, <https://www.techadvisor.com/article/721735/xiaomi-mi-scooter-pro-2-review.html>, (2p).

The First JP Office Action Issued in Application No. 2021-502636, dated Sep. 30, 2022, with English translation, (17p).

The First Office Action Issued in Taiwan Application No. 110306562, dated Sep. 13, 2022, (15p).

A world-wide collection of designs data, including WIPO Hague registrations and information from participating offices, in International Registration No. DM/204 111, (16p).

First Office Action issued in Vietnamese Application No. 8-2022-00180 dated Dec. 2, 2022, (3p).

International Registration No. DM/217,429 (U.S. Appl. No. 35/513,839) Scooter; Date of International Registration Sep. 17, 2021 to Beijing Xiaomi Mobile Software Co., Ltd., (13p).

Decision of Rejection issued in JP Application No. 2021-502636, dated Mar. 24, 2023,(4p).

(56) **References Cited**

U.S. PATENT DOCUMENTS

D910,121	S	*	2/2021	Liu	D21/423
D914,103	S	*	3/2021	Cao	D21/423
D917,626	S	*	4/2021	Ye	D21/423
D923,103	S	*	6/2021	Zheng	D21/423
D923,714	S	*	6/2021	Shen	D21/423
D923,715	S	*	6/2021	Wang	D21/423
D926,890	S	*	8/2021	Lu	D21/423
D927,604	S	*	8/2021	Han	D21/423
D940,251	S	*	1/2022	Wang	D21/423
D957,532	S	*	7/2022	Wang	D21/423
D958,257	S	*	7/2022	Cai	D21/423
D972,652	S	*	12/2022	Wu	D21/423
11,649,007	B1	*	5/2023	Zhang	B62K 3/002 362/473
2022/0006959	A1	*	1/2022	Chen	B62J 45/00
2022/0185409	A1	*	6/2022	Guo	B62H 5/003
2022/0234671	A1	*	7/2022	Qi	H01M 50/20

FOREIGN PATENT DOCUMENTS

CN	305194923	S	6/2019		
CN	305221600	S	6/2019		
CN	305223330	*	6/2019	B62J 43/13
CN	305789775	S	5/2020		
CN	305789775	S	11/2020		
CN	306216265	S	12/2020		
CN	306229978	S	12/2020		
CN	214607799	U	* 11/2021	B62H 5/003
CN	215794235	U	* 2/2022	B62J 43/13
KR	2020065747	A	* 6/2020	B62J 45/40
WO	DM203588		1/2019		
WO	D204111-001	*	11/2019	B62H 5/003
WO	DM204256		11/2019		
WO	DM203588-001		8/2020		
WO	DM203588-002		8/2020		

* cited by examiner

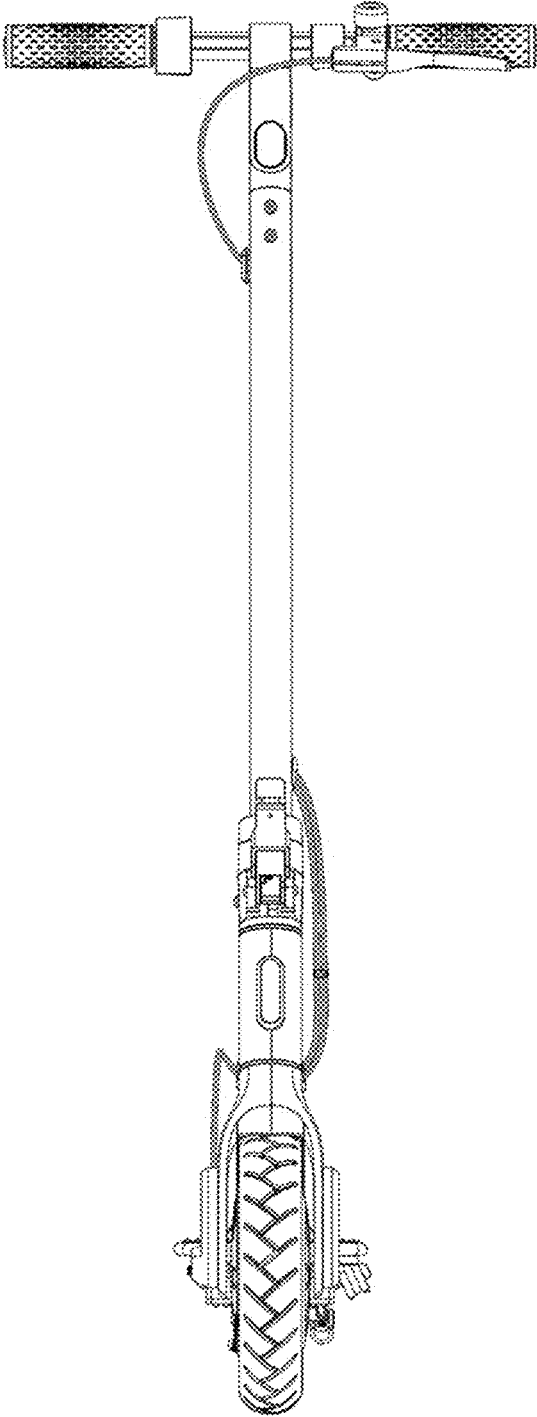


FIG. 1.1

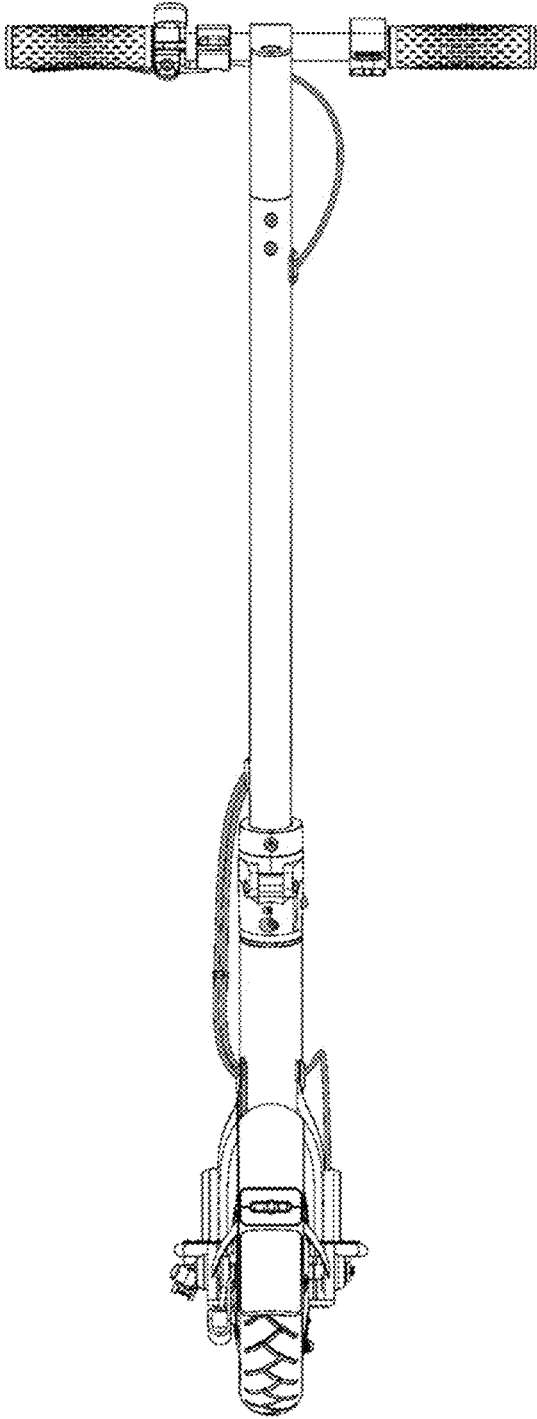


FIG. 1.2

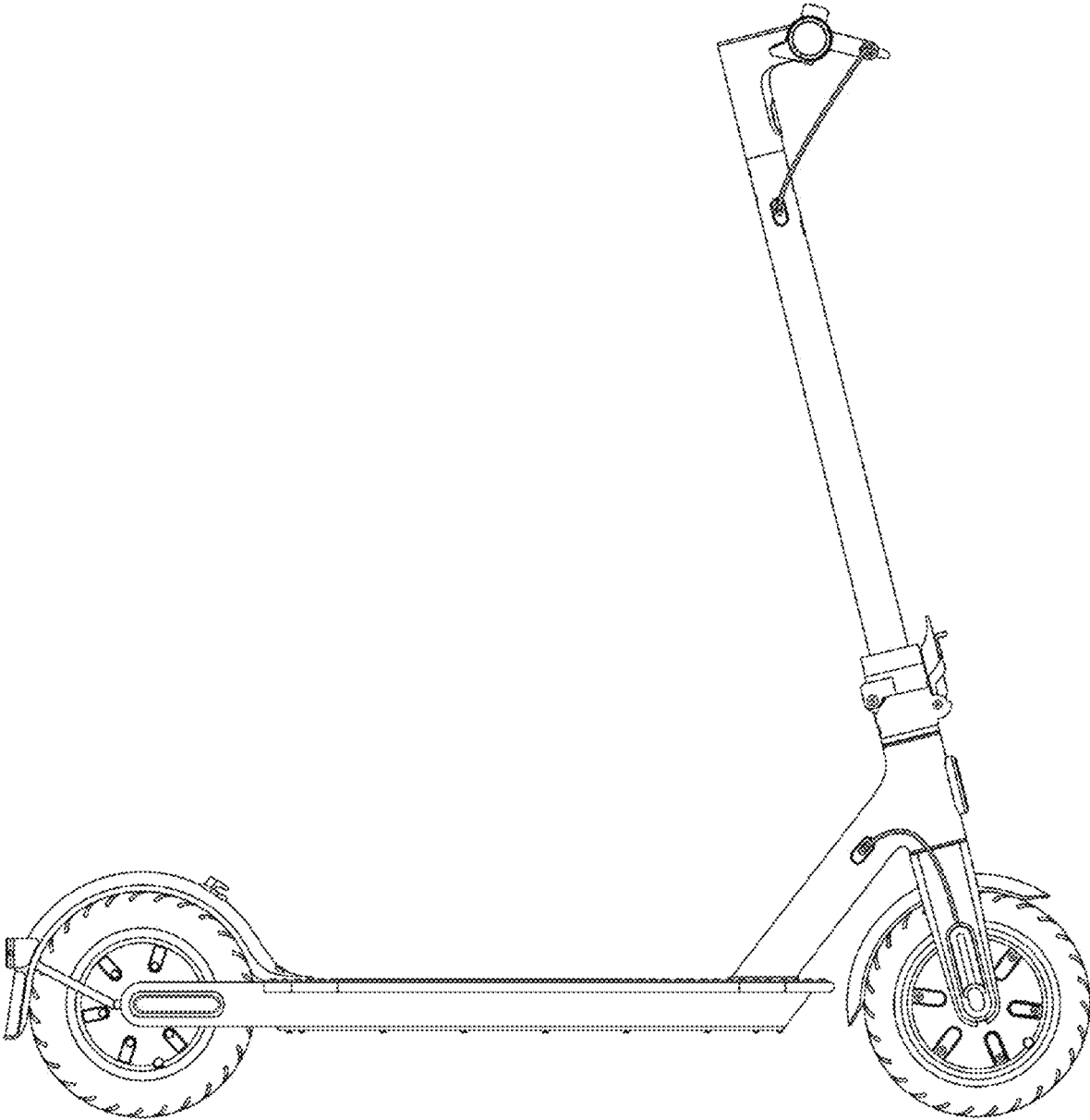


FIG. 1.3

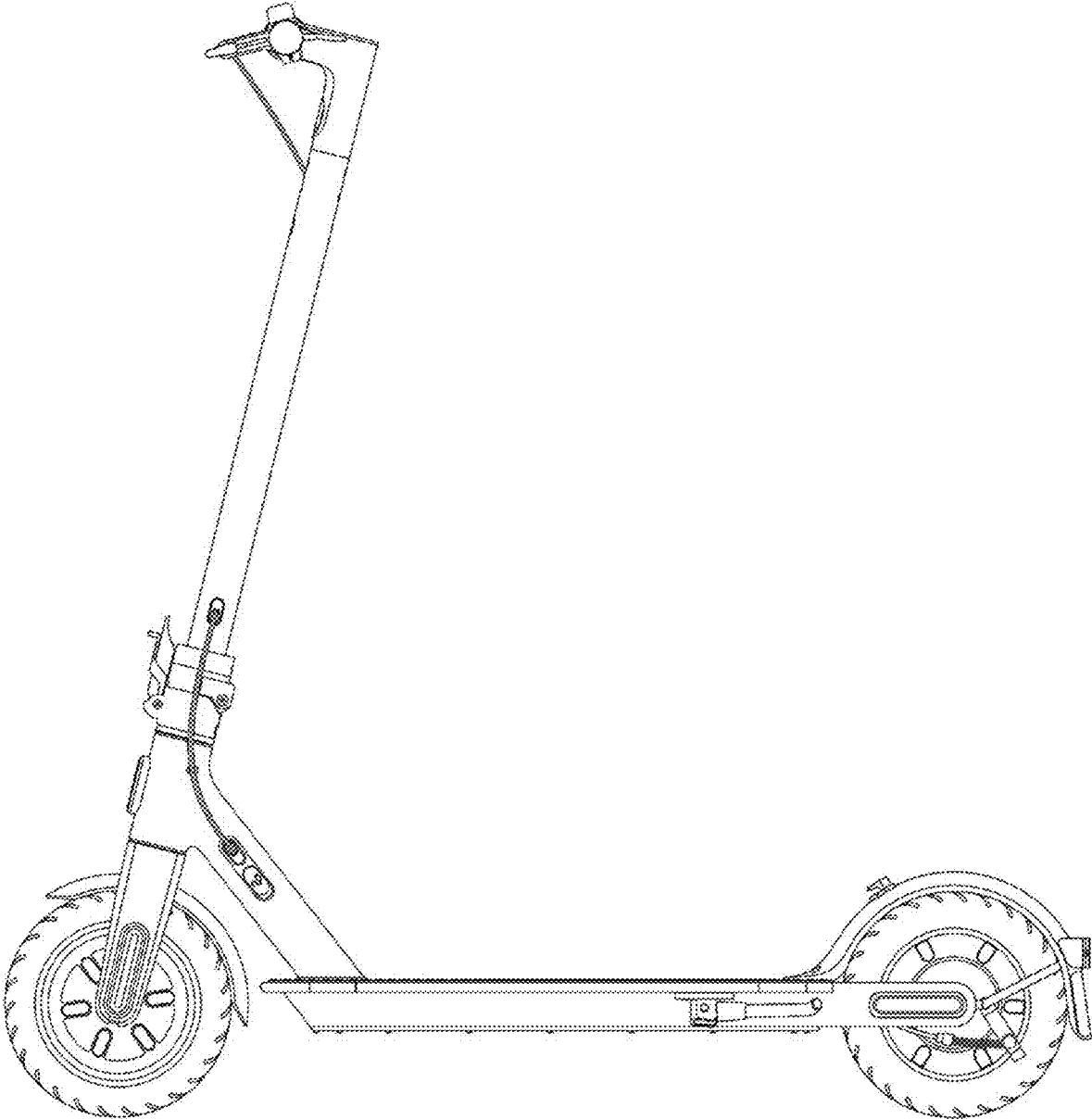


FIG. 1.4

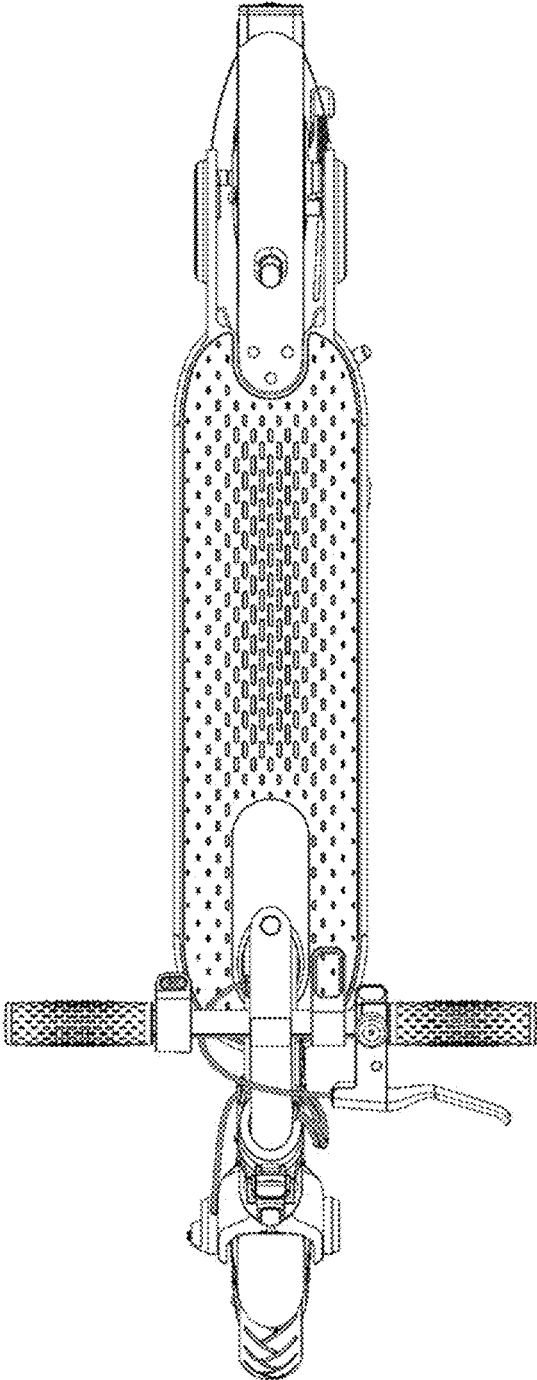


FIG. 1.5

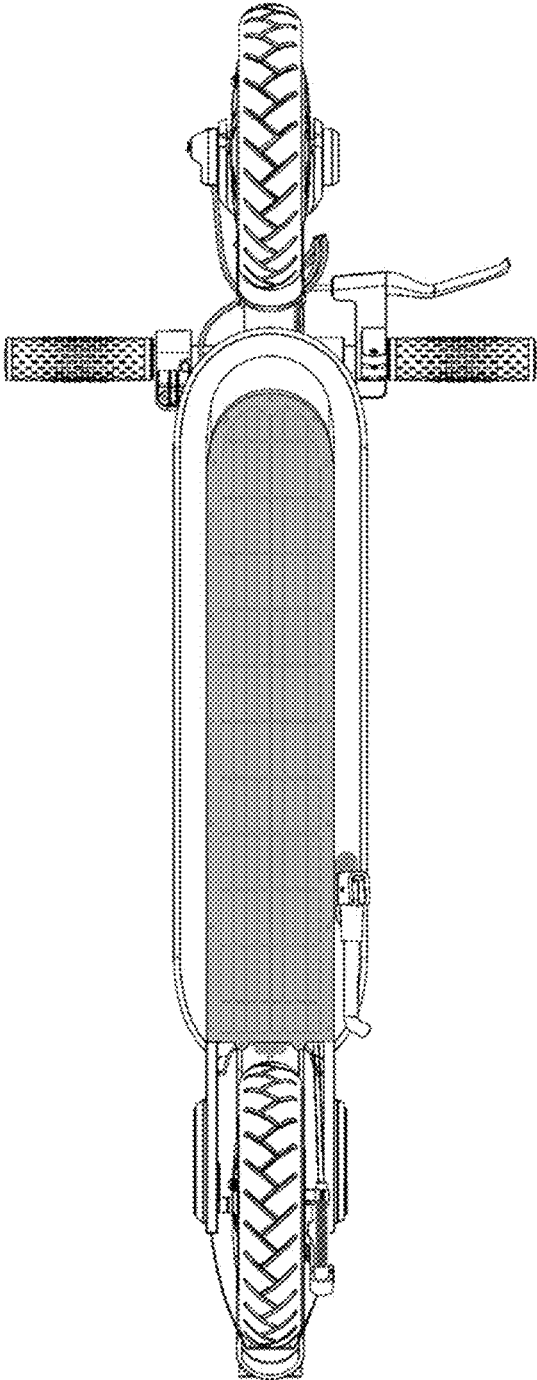


FIG. 1.6

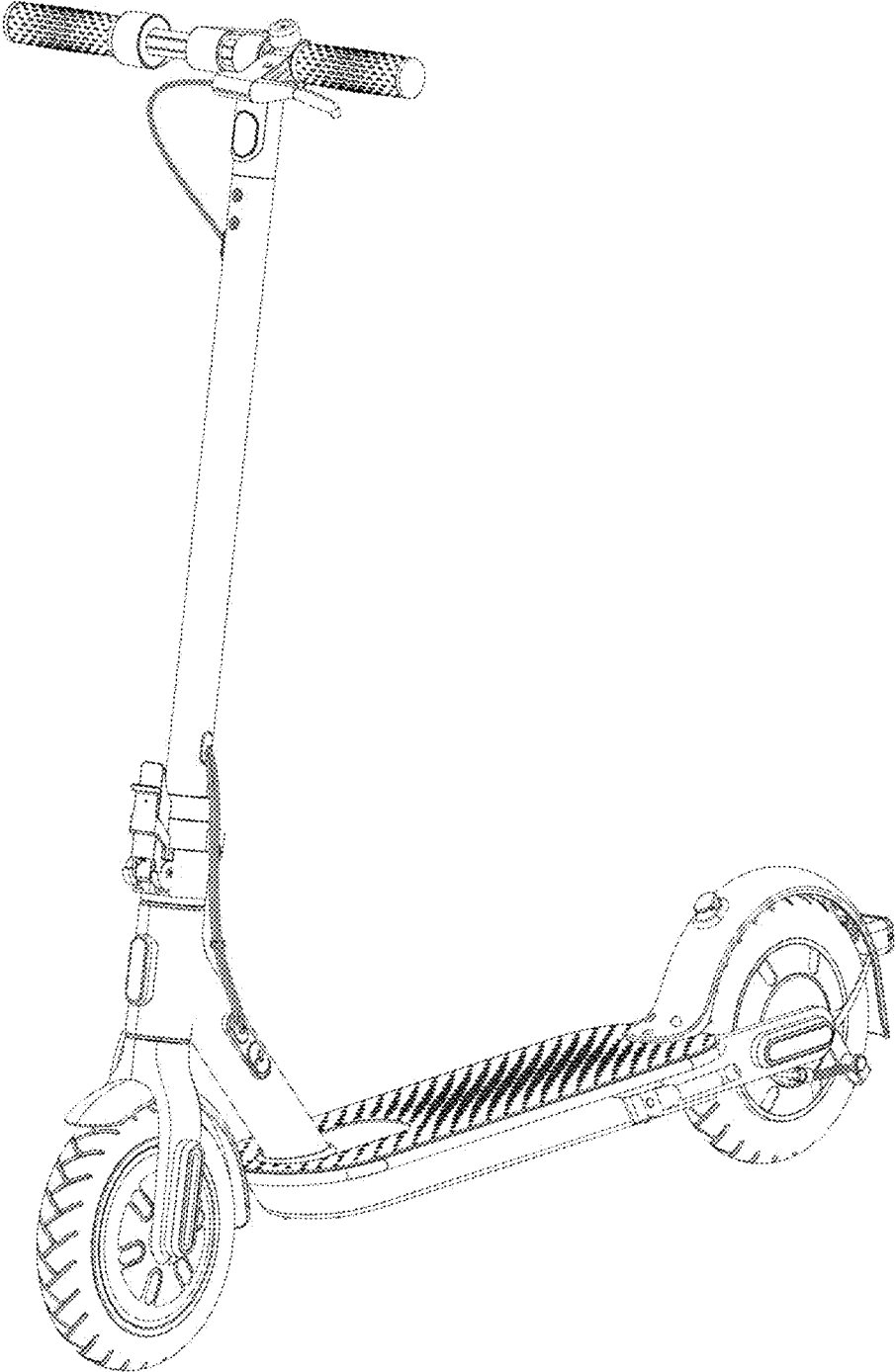


FIG. 1.7

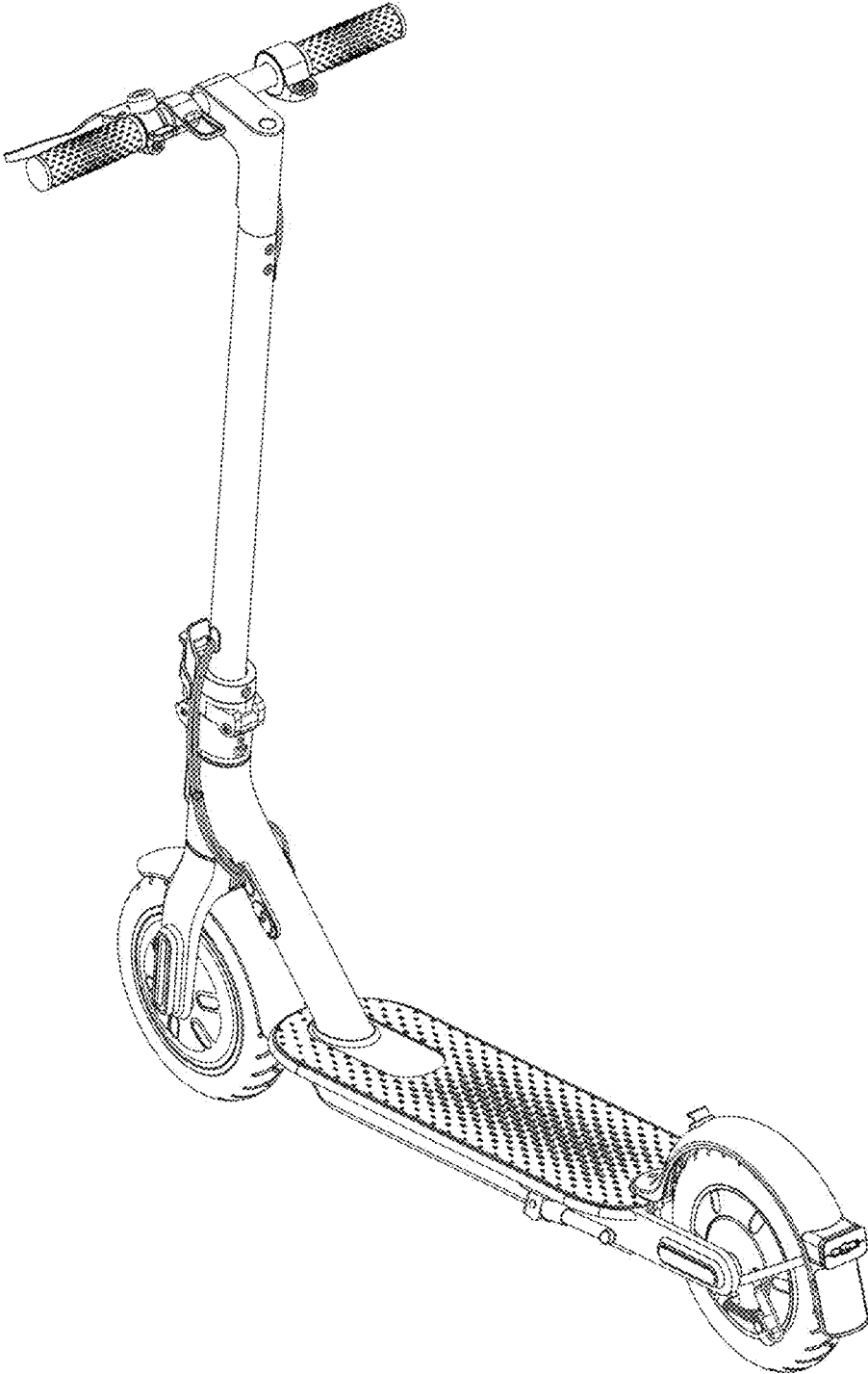


FIG. 1.8