



US00D512631S

(12) **United States Design Patent**  
**Lhoste et al.**

(10) **Patent No.:** **US D512,631 S**

(45) **Date of Patent:** **\*\* Dec. 13, 2005**

(54) **JAR**

(75) Inventors: **Jean-Francois Lhoste**, 3 Impasse des Tilleuls, Le Coudray 28630 (FR);  
**Marielle De La Torre**, 4D East View House Grovehill Road, Beverley East Yorkshire HU17 OHN (GB)

(73) Assignees: **Marielle De La Torre**, Slough (GB);  
**Jean-Francois Lhoste**, Slough (GB)

(\*\*) Term: **14 Years**

(21) Appl. No.: **29/209,930**

(22) Filed: **Jul. 23, 2004**

(30) **Foreign Application Priority Data**

Feb. 5, 2004 (EM) ..... 000132766

(51) **LOC (6) Cl.** ..... **09-07**

(52) **U.S. Cl.** ..... **D9/428; D9/425; D9/424; D9/516; D9/500; D9/519**

(58) **Field of Search** ..... D9/428, 429, 424, D9/425, 414, 456, 500, 504, 516, 519, 738; D7/550.1, 560, 566, 584; 206/499, 503, 512, 485.1; 220/657, 659, 669, 674, 675, 645; 229/4.5, 5.5, 93, 406, 407, 400, 123.1, 210, 203, 238, 247, 245

(56) **References Cited**

**U.S. PATENT DOCUMENTS**

2,573,736 A \* 11/1951 Scavullo ..... 228/164

3,670,922 A \* 6/1972 Phillips ..... 206/519  
4,972,963 A \* 11/1990 Guarriello et al. .... 220/659  
D313,556 S \* 1/1991 Smith ..... D9/425  
5,203,836 A \* 4/1993 Brazis et al. .... 206/507  
5,323,928 A \* 6/1994 Stevens ..... 220/703  
D351,790 S \* 10/1994 Haindl ..... D9/425  
D369,971 S \* 5/1996 Brauner et al. .... D9/428  
5,782,376 A \* 7/1998 Brauner et al. .... 220/669  
D453,108 S \* 1/2002 Gasco ..... D9/429  
D467,800 S \* 12/2002 Chen et al. .... D9/429

\* cited by examiner

*Primary Examiner*—Prabhakar Deshmukh

(74) *Attorney, Agent, or Firm*—Norris McLaughlin & Marcus, PA

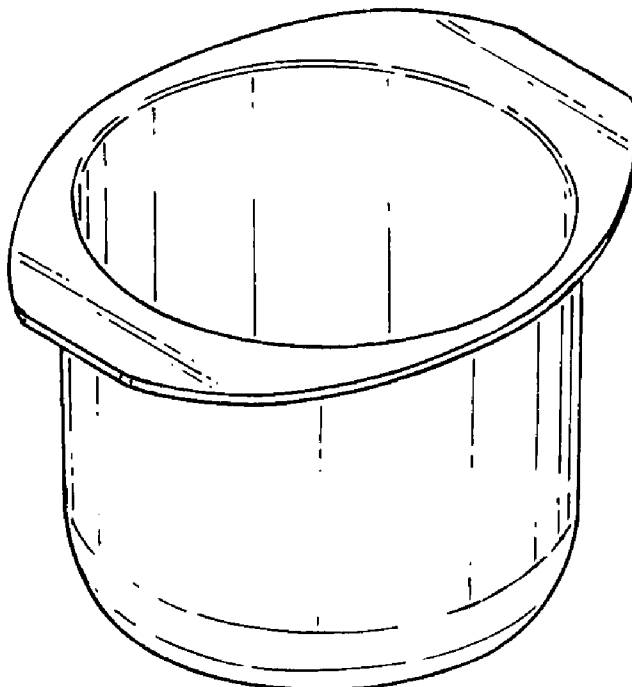
(57) **CLAIM**

The ornamental design for a jar, as shown and described.

**DESCRIPTION**

FIG. 1 is a perspective view of a jar showing our new design;  
FIG. 2 is a side elevational view thereof;  
FIG. 3 is a further side elevational thereof;  
FIG. 4 is a top plan view thereof; and,  
FIG. 5 is a bottom plan view thereof.

**1 Claim, 1 Drawing Sheet**



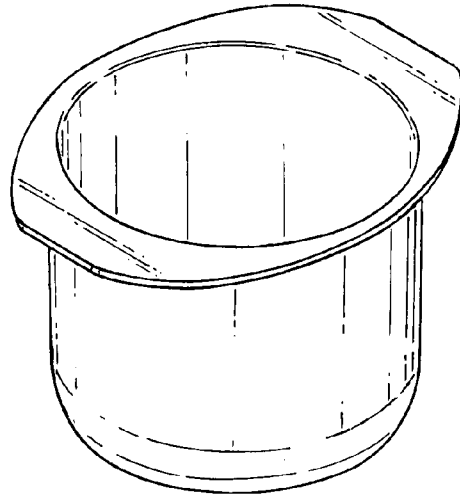


Fig. 1.

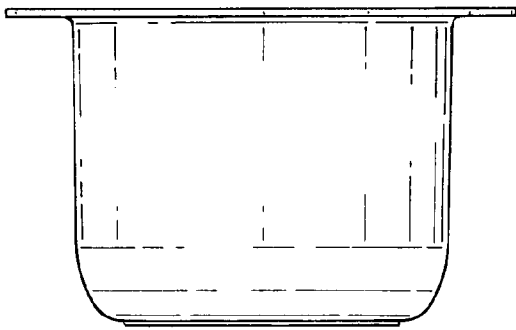


Fig. 2.

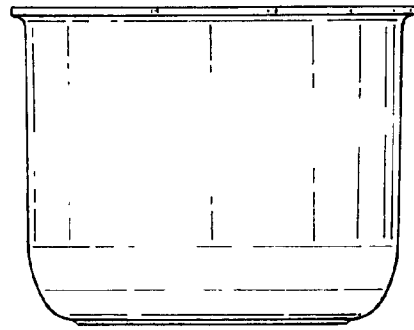


Fig. 3.

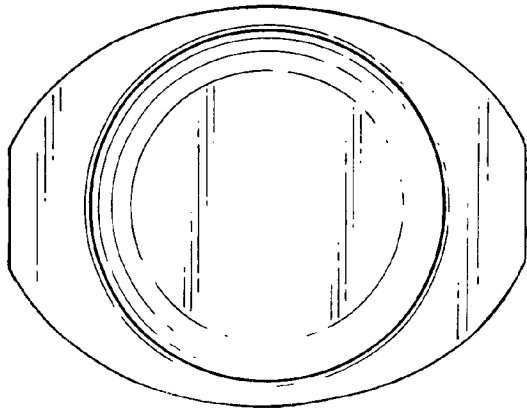


Fig. 4.

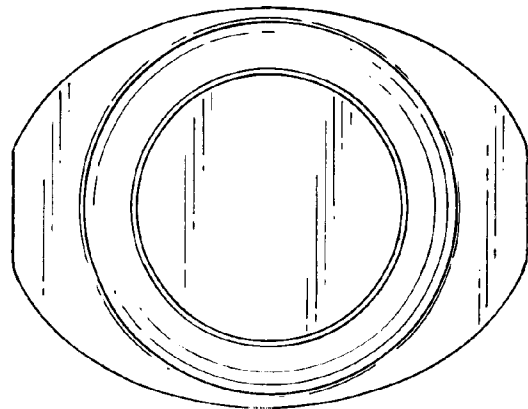


Fig. 5.

UNITED STATES PATENT AND TRADEMARK OFFICE  
**CERTIFICATE OF CORRECTION**

PATENT NO. : Des. 512,631 S  
APPLICATION NO. : 29/209930  
DATED : December 13, 2005  
INVENTOR(S) : L'Hoste et al.

Page 1 of 1

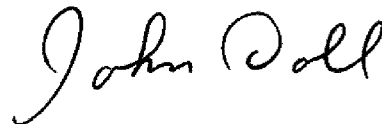
It is certified that error appears in the above-identified patent and that said Letters Patent is hereby corrected as shown below:

On the Title Page, item [73]:

**Assignee:** Jean-Francois L'Hoste  
Marielle De La Torre

**should read:** Reckitt Benckiser (UK) Limited  
103-105 Bath Road  
Slough, Berkshire SL1 3UH  
United Kingdom

Signed and Sealed this  
Seventh Day of April, 2009



JOHN DOLL  
*Acting Director of the United States Patent and Trademark Office*