



US00D488957S

(12) **United States Design Patent**
Holderfield et al.

(10) **Patent No.:** **US D488,957 S**

(45) **Date of Patent:** **** Apr. 27, 2004**

(54) **BLENDER JAR**

(75) Inventors: **Gregory James Holderfield**, Chicago, IL (US); **Elliott Hsu**, Chicago, IL (US); **Augusto A. Picozza**, Boca Raton, FL (US)

(73) Assignee: **Sunbeam Products, Inc.**, Boca Raton, FL (US)

(**) Term: **14 Years**

(21) Appl. No.: **29/168,970**

(22) Filed: **Oct. 12, 2002**

(51) **LOC (7) Cl.** **31-00**

(52) **U.S. Cl.** **D7/413**

(58) **Field of Search** D7/376-386, 412-415; 241/30, 36, 101.01-101.8; 366/64-67, 129, 130, 197-207, 241-254, 341, 349

(56) **References Cited**

U.S. PATENT DOCUMENTS

D400,757 S * 11/1998 Hippen et al. D7/378

D403,202 S * 12/1998 Cousins D7/378
D437,731 S * 2/2001 Thackray D7/413
D439,797 S * 4/2001 Planca et al. D7/378
2003/0010853 A1 * 1/2003 Schorn et al. 241/36

* cited by examiner

Primary Examiner—Caron D. Veynar

(74) *Attorney, Agent, or Firm*—Lawrence J. Shurupoff

(57) **CLAIM**

The ornamental design for a blender jar, as shown and described.

DESCRIPTION

FIG. 1 is a top front right perspective view of the blender jar showing the new design;

FIG. 2 is a left side elevation view thereof and being the same as the right side elevational view thereof;

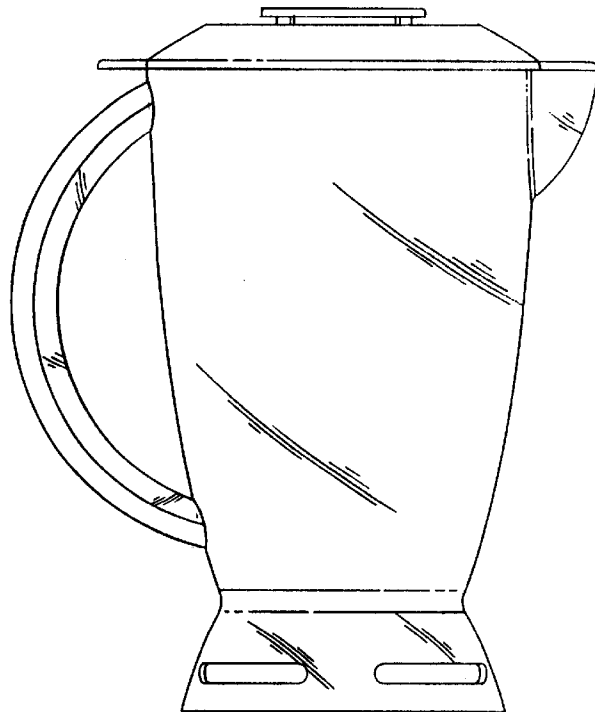
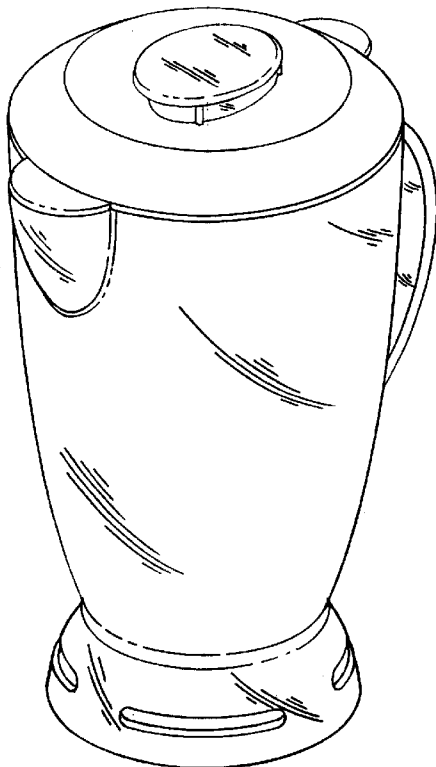
FIG. 3 is a front elevation view thereof;

FIG. 4 is a top plan view thereof;

FIG. 5 is a rear elevation view thereof; and,

FIG. 6 is a bottom plan view thereof.

1 Claim, 3 Drawing Sheets



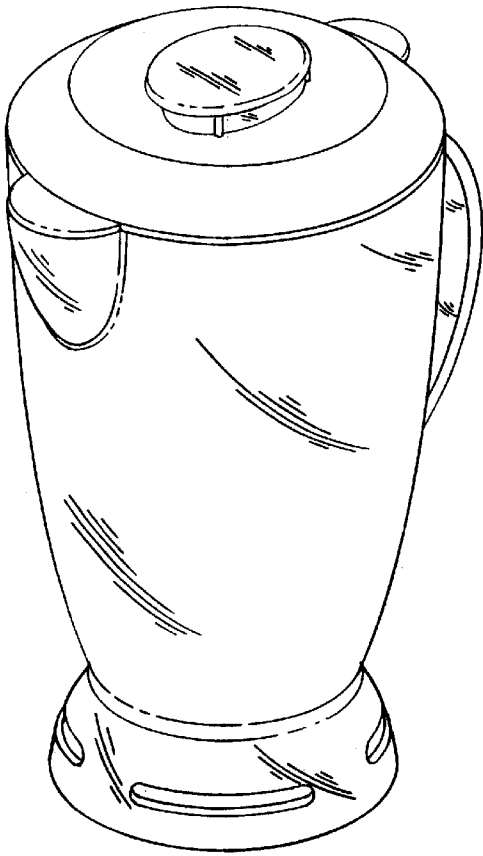


FIG 1

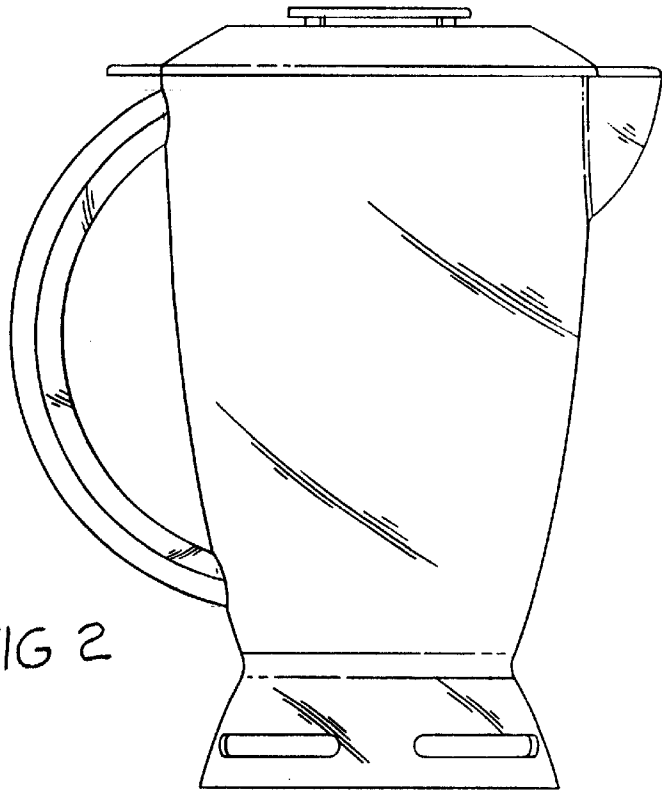


FIG 2

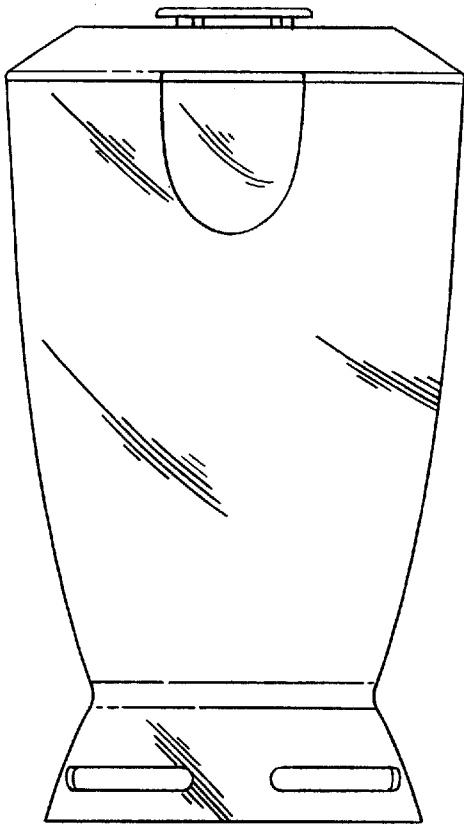


FIG 3

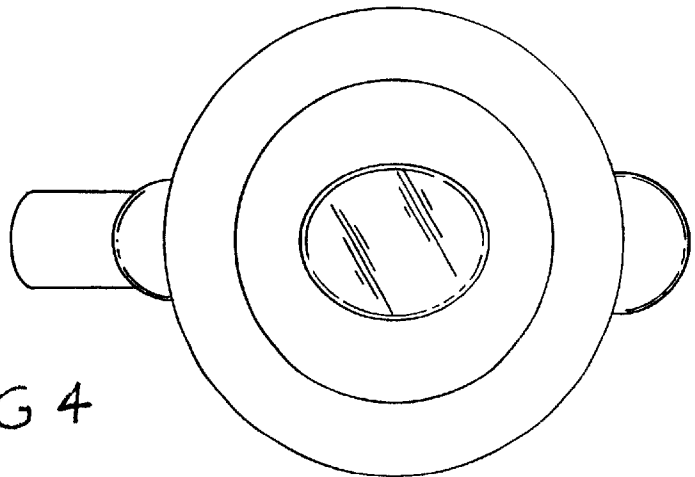


FIG 4

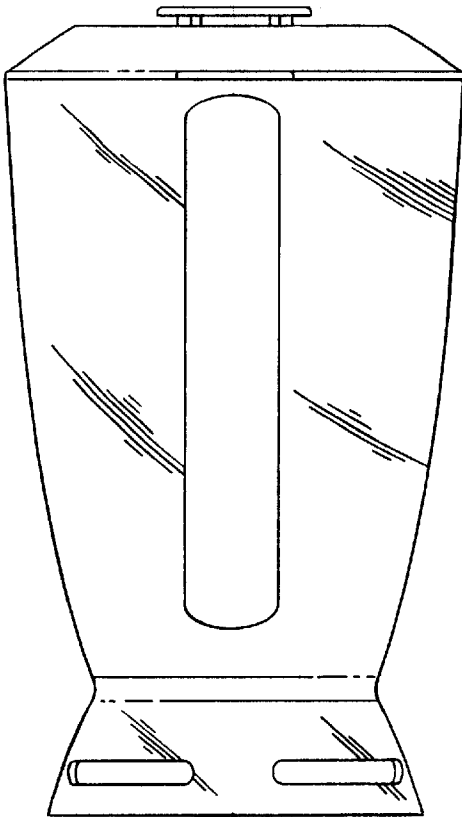


FIG 5

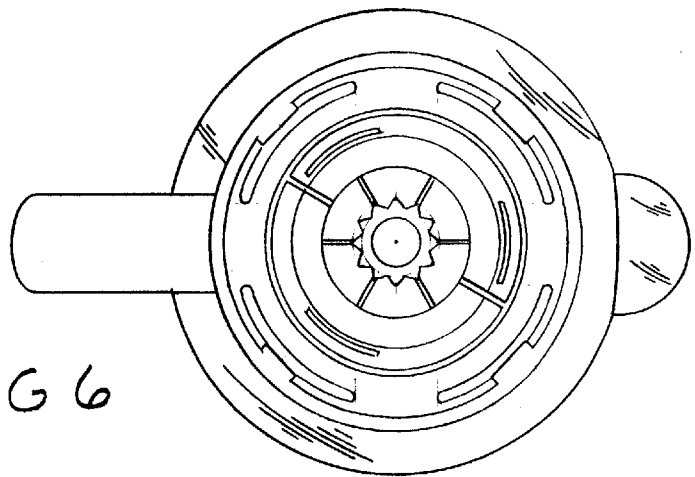


FIG 6