



US00D763089S

(12) **United States Design Patent**
Handy

(10) **Patent No.:** **US D763,089 S**

(45) **Date of Patent:** **** Aug. 9, 2016**

- (54) **BOTTLE**
- (71) Applicant: **Method Products, PBC**, San Francisco, CA (US)
- (72) Inventor: **Francis J. Handy**, San Rafael, CA (US)
- (73) Assignee: **Method Products, PBC**, San Francisco, CA (US)

D463,981 S	*	10/2002	Crawford	D9/530
D522,372 S		6/2006	Wang et al.		
D573,481 S		7/2008	Chewning et al.		
D582,784 S		12/2008	Boiros et al.		
D587,127 S	*	2/2009	Moreira	D9/559
D594,343 S		6/2009	Leruste		
D644,107 S	*	8/2011	Hirst	D9/449
D680,872 S	*	4/2013	Uribe	D9/565

(**) Term: **14 Years**

(21) Appl. No.: **29/499,442**

(22) Filed: **Aug. 14, 2014**

(51) **LOC (10) Cl.** **09-01**

(52) **U.S. Cl.**
USPC **D9/530**

(58) **Field of Classification Search**
USPC D9/435, 444, 445, 454, 530, 542, 543,
D9/550, 551, 563-565, 574, 575, 682, 686,
D9/693; 212/382-385; 220/660-662, 669,
220/675

CPC B65D 3/00; B65D 3/04; B65D 35/22;
B65D 81/3227; B65D 81/3283

See application file for complete search history.

(56) **References Cited**

U.S. PATENT DOCUMENTS

D139,331 S	7/1944	Teunisz	
D195,368 S	6/1963	Koenigsberg	
D205,098 S	6/1966	Hallowell, Jr.	
D205,552 S	8/1966	Meyers	
D234,250 S	* 2/1975	Holzaepfel D9/540
D254,838 S	* 4/1980	Agnone D9/691
D270,235 S	8/1983	Ewry	
D270,240 S	8/1983	Ewry	
D387,280 S	* 12/1997	Zimmer D9/523
D399,431 S	* 10/1998	de Baschmakoff D9/540
D400,800 S	* 11/1998	Bertolini D9/565
D412,282 S	* 7/1999	Cacciato D9/516

OTHER PUBLICATIONS

“Method: Pro Chef Multi-Surface Kitchen Cleaner”, accessed at <http://www.methodhome.com/product/pro-chef-multi-surface-kitchen-cleaner/>?, accessed on Oct. 20, 2010, 1 page.

* cited by examiner

Primary Examiner — Derrick Holland

Assistant Examiner — Janice Lim

(74) *Attorney, Agent, or Firm* — Sterne, Kessler, Goldstein & Fox P.L.L.C.

(57) **CLAIM**

The ornamental design for a bottle, as shown and described.

DESCRIPTION

FIG. 1 is a top front perspective view of a bottle showing my new design;

FIG. 2 is a front view thereof;

FIG. 3 is a rear view thereof;

FIG. 4 is a right side view thereof;

FIG. 5 is a left side view thereof;

FIG. 6 is a top view thereof;

FIG. 7 is a bottom view thereof;

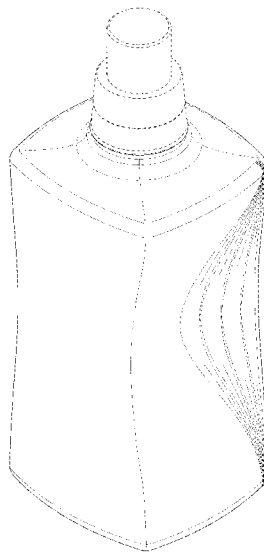
FIG. 8 is a bottom front perspective view thereof;

FIG. 9 is a cross-sectional view thereof taken along line 9-9 in FIG. 4; and,

FIG. 10 is a top rear perspective view thereof.

The broken lines in FIGS. 1-6, 8 and 10 show unclaimed subject matter only, and form no part of the claimed design.

1 Claim, 9 Drawing Sheets



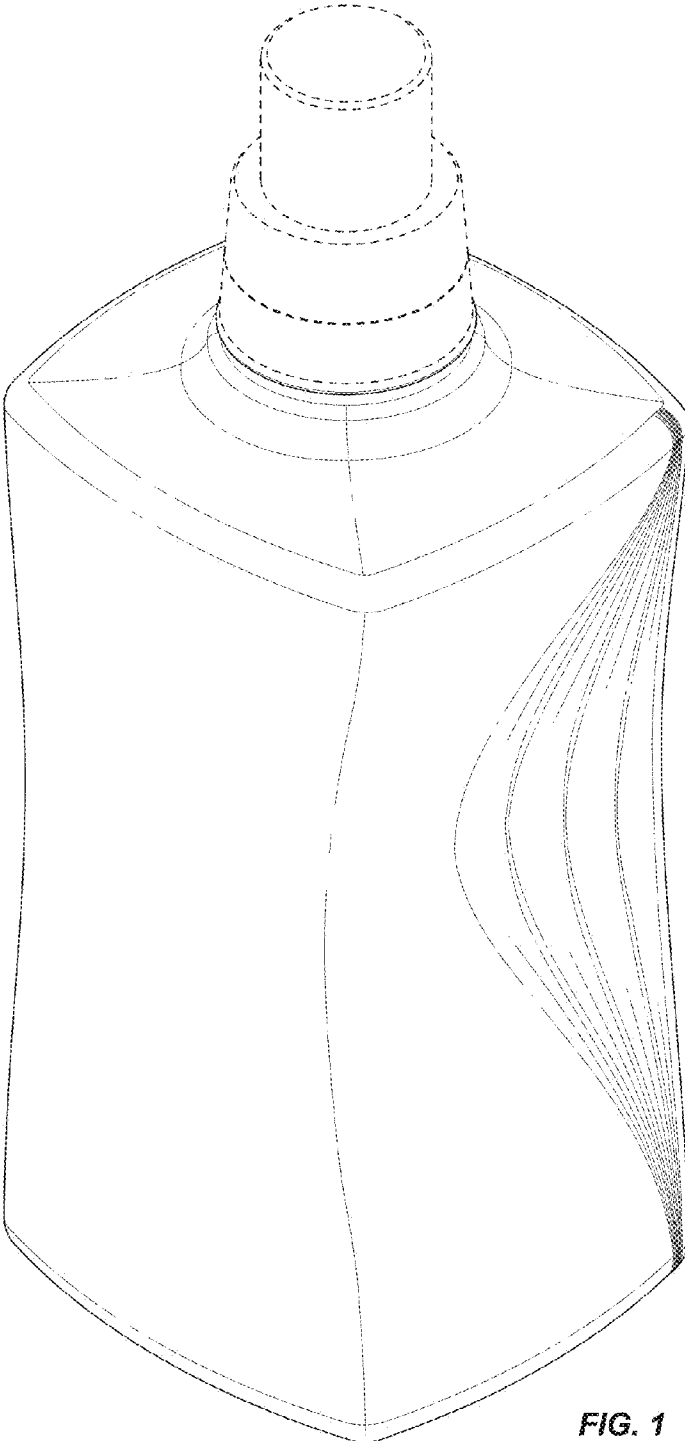


FIG. 1

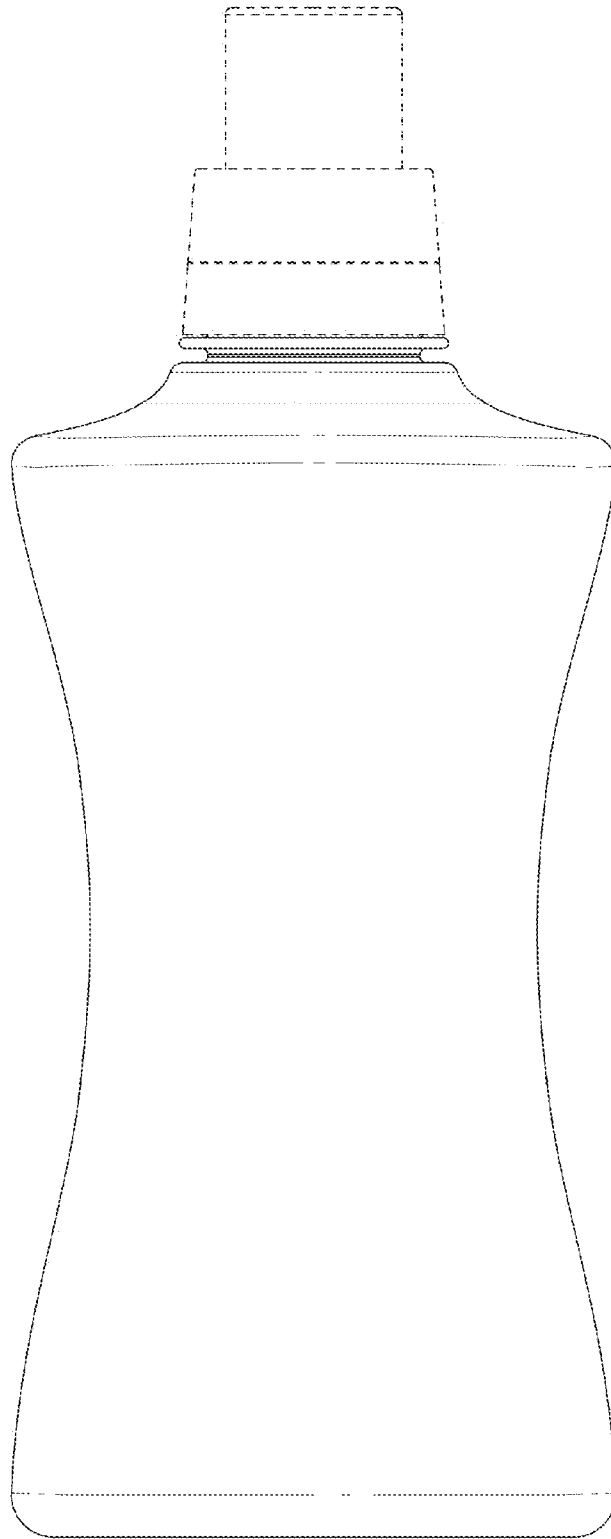


FIG. 2

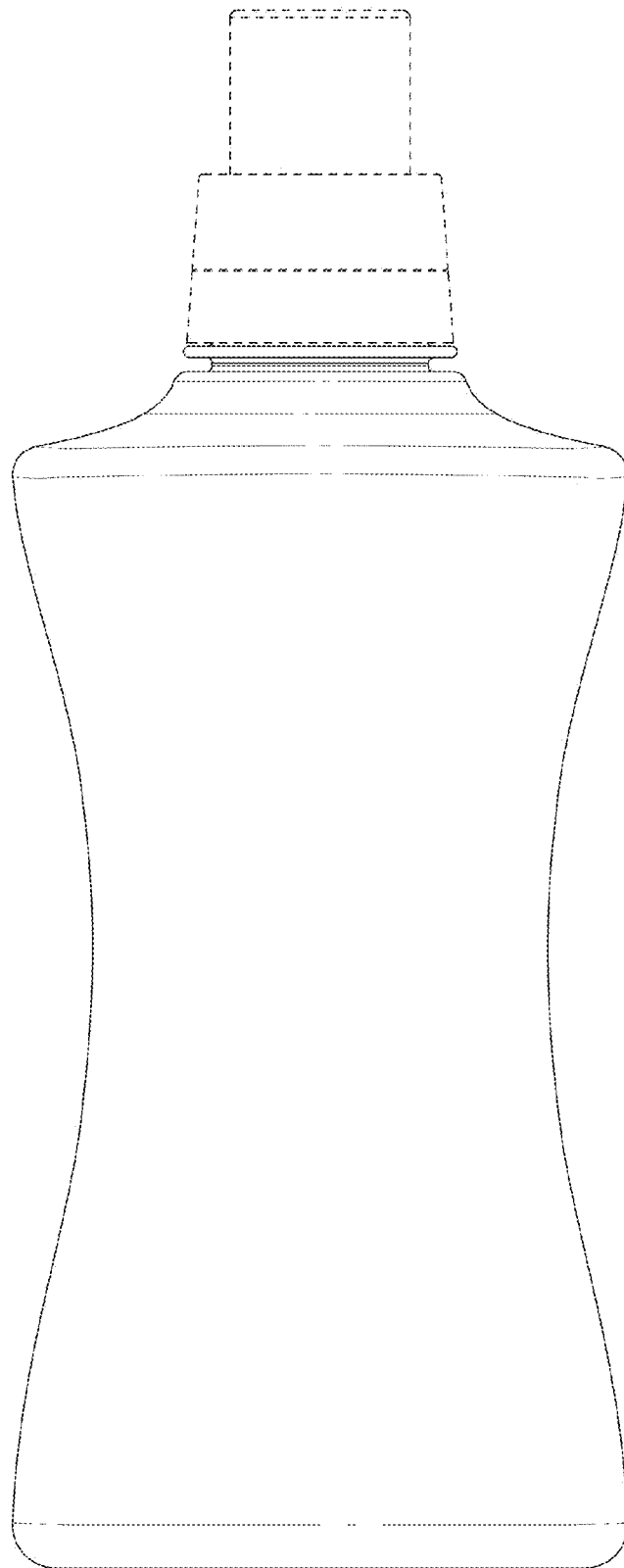


FIG. 3

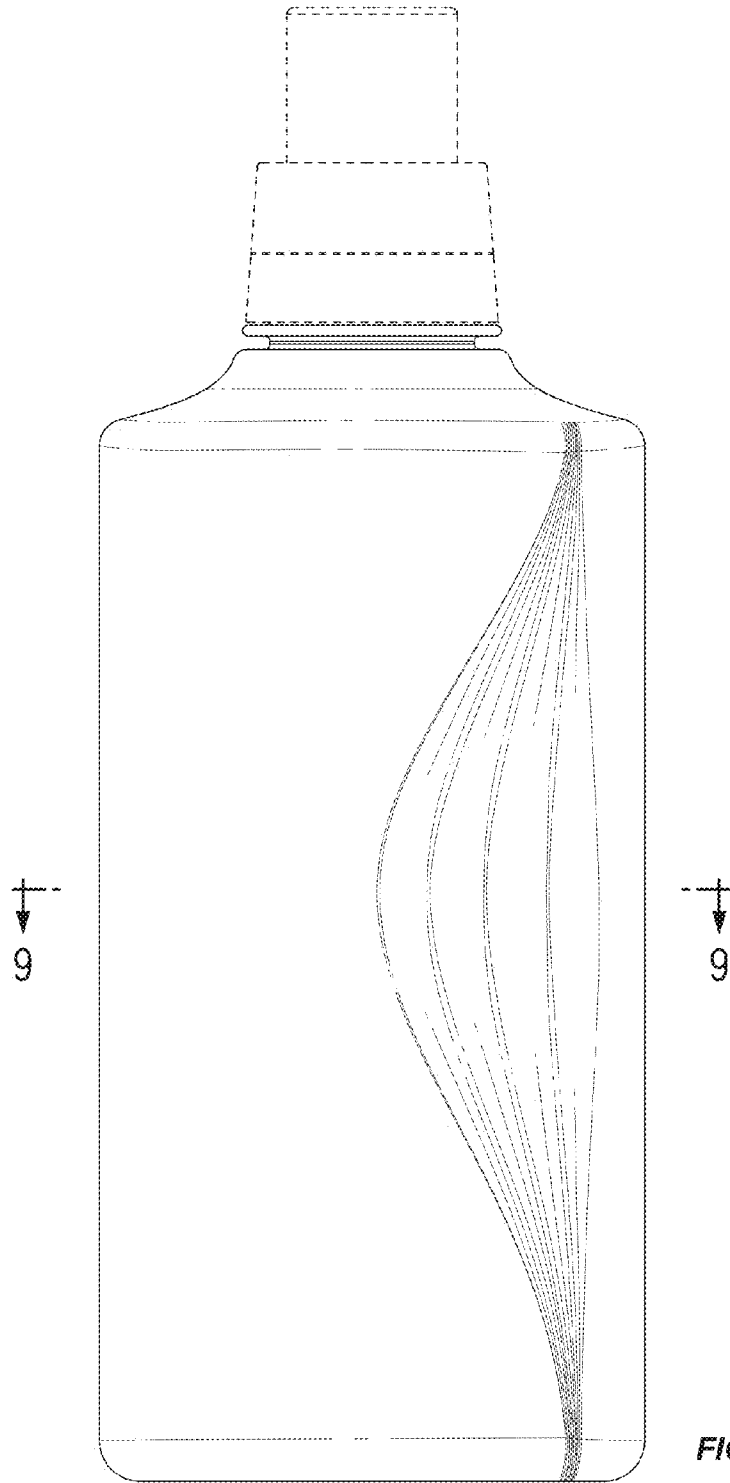


FIG. 4

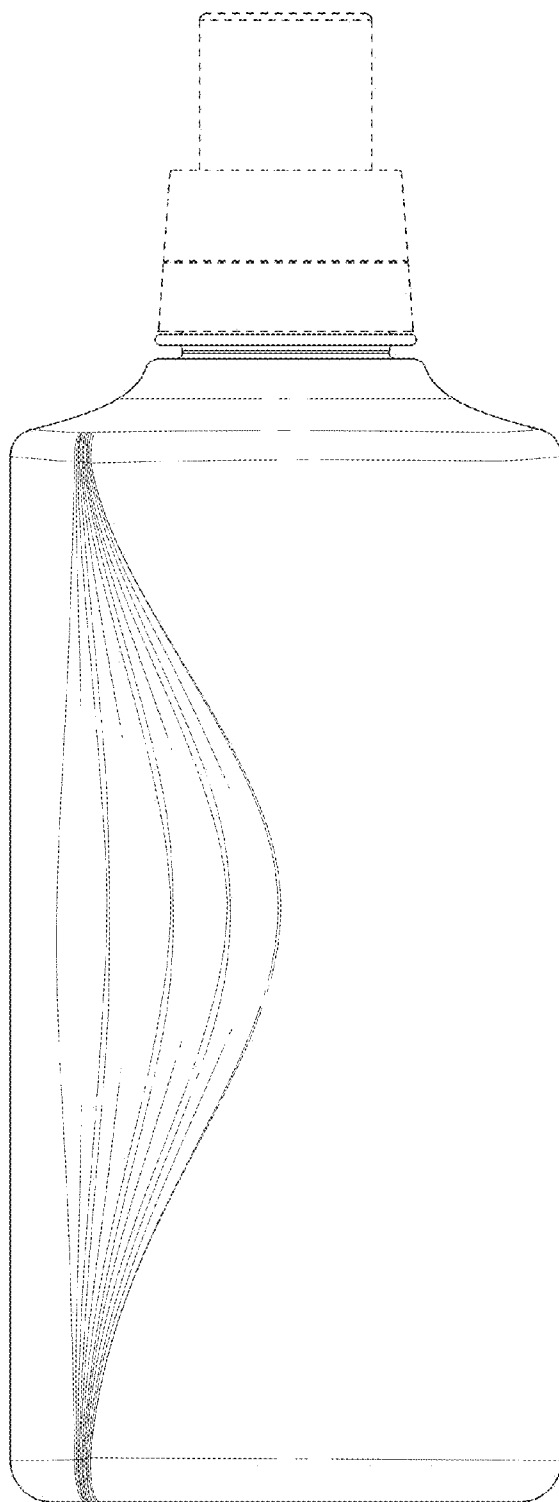


FIG. 5

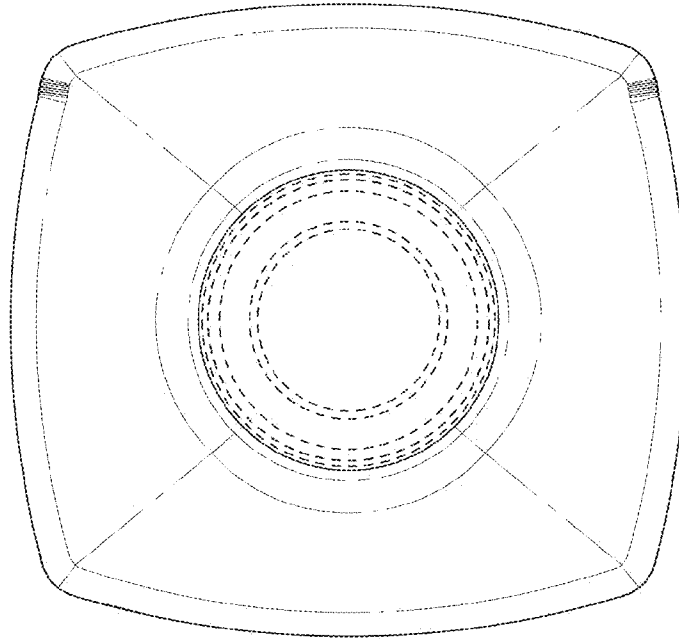


FIG. 6

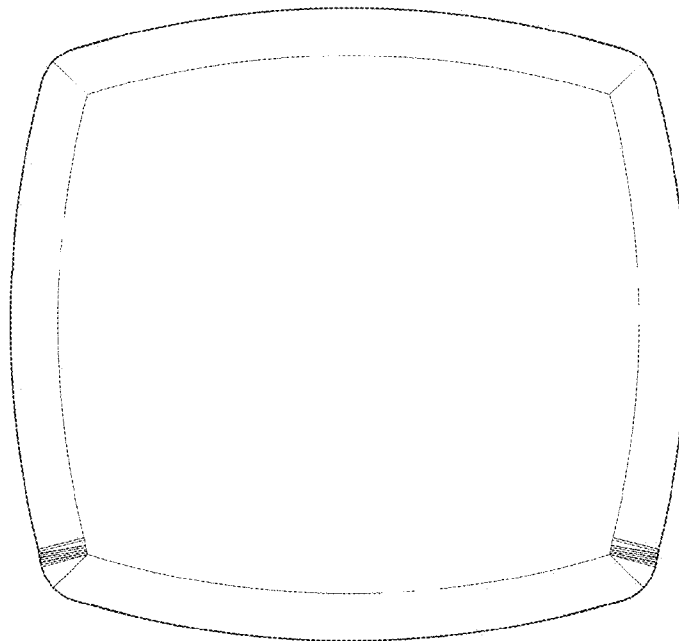


FIG. 7

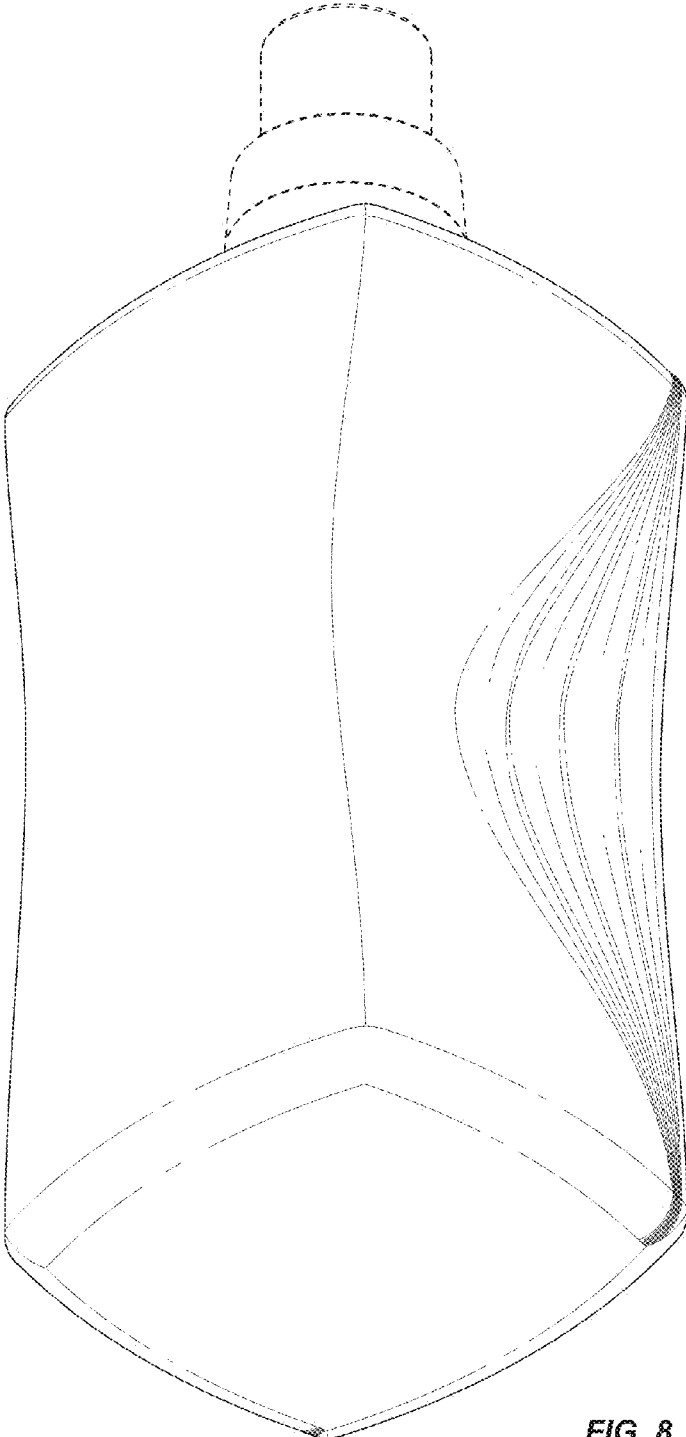


FIG. 8

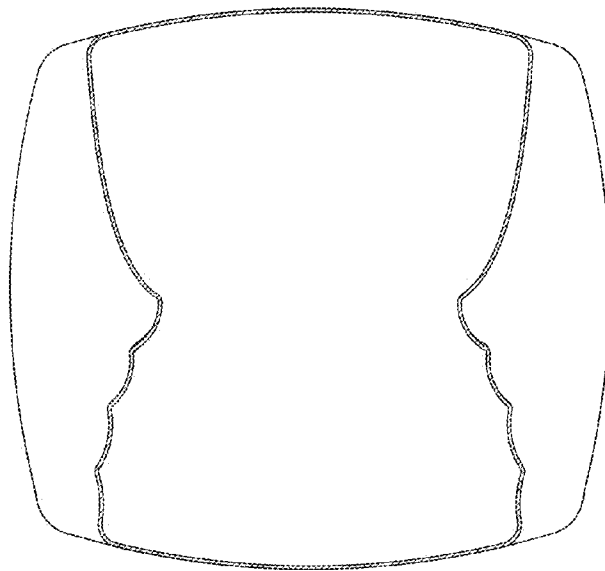


FIG. 9

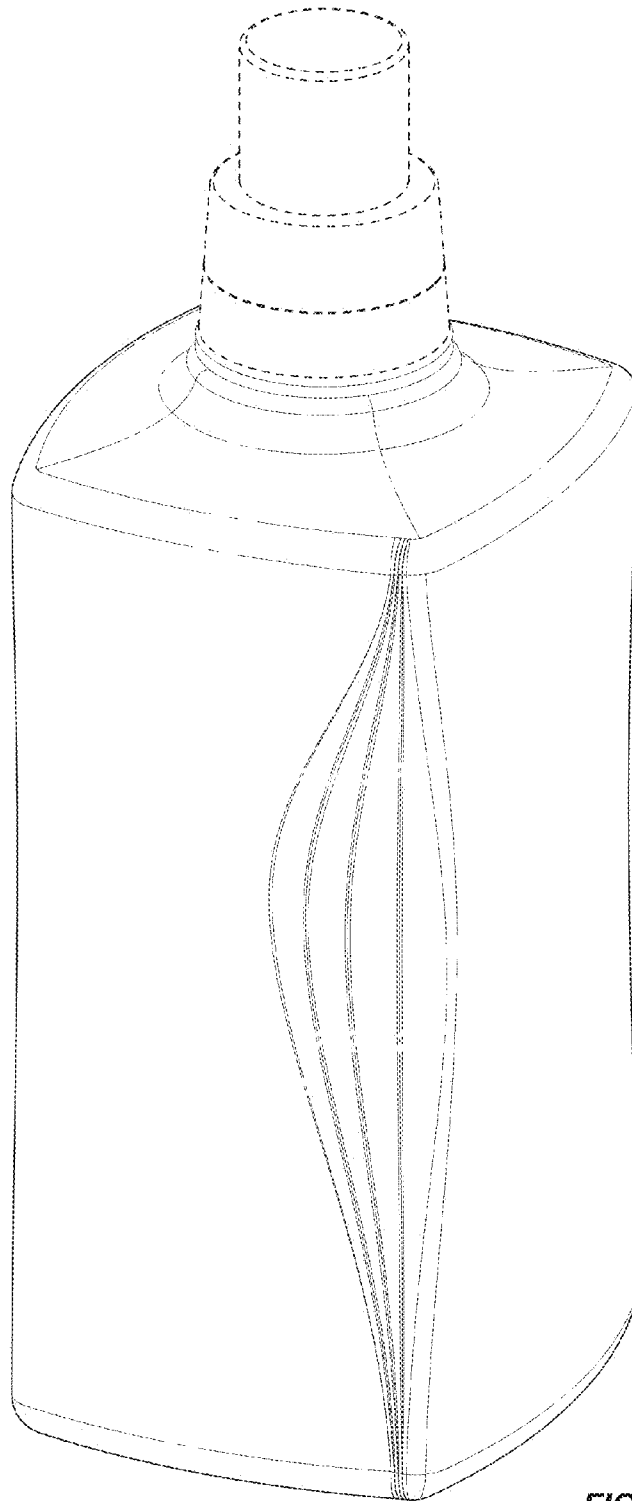


FIG. 10