

(12) UK Patent Application (19) GB (11) 2526016 (13) A

(43) Date of Reproduction by UK Office 11.11.2015

(21) Application No: 1513841.5

(22) Date of Filing: 24.02.2014

Date Lodged: 05.08.2015

(30) Priority Data:
(31) 13781324 (32) 28.02.2013 (33) US
(31) 13781406 (32) 28.02.2013 (33) US
(31) 13781342 (32) 28.02.2013 (33) US

(86) International Application Data:
PCT/CA2014/000135 En 24.02.2014

(87) International Publication Data:
WO2014/131106 En 04.09.2014

(71) Applicant(s):
Omachron Intellectual Property Inc.
9 King Lane, Hampton L0B 1J0, Ontario, Canada

(72) Inventor(s):
Wayne Ernest Conrad

(74) Agent and/or Address for Service:
Reddie & Grose
16 Theobalds Road, LONDON, WC1X 8PL,
United Kingdom

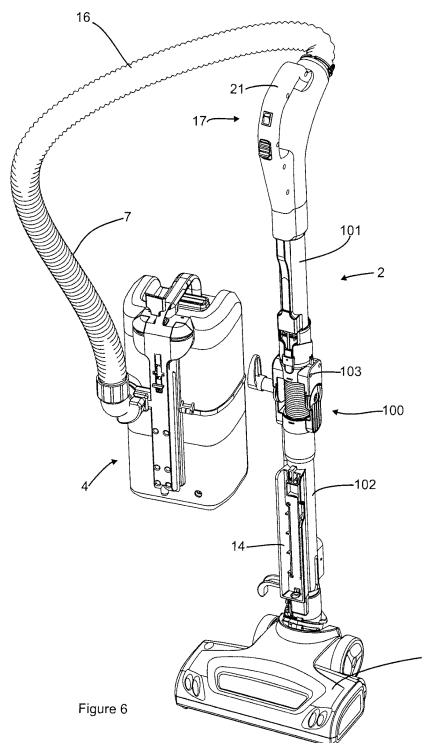
(51) INT CL:
A47L 5/22 (2006.01) A47L 5/24 (2006.01)
A47L 5/32 (2006.01) A47L 5/36 (2006.01)

(56) Documents Cited:
EP 0887040 A1 US 4393536 A
US 20100229336 A1 US 20090144929 A1
US 20080178420 A1

(58) Field of Search:
INT CL A47L

(54) Title of the Invention: **Surface cleaning apparatus**
Abstract Title: **Surface cleaning apparatus**

(57) An upright surface cleaning apparatus with a portable surface cleaning unit wherein a lock which secures the portable surface cleaning unit in position is automatically moved to the unlocked position when an upper portion is moved to the floor cleaning position.



GB 2526016 A