



US00D800200S

(12) **United States Design Patent**  
**Abe et al.**

(10) **Patent No.:** **US D800,200 S**  
(45) **Date of Patent:** **\*\* Oct. 17, 2017**

(54) **DIGITAL CAMERA**

(71) Applicant: **Nikon Corporation**, Tokyo (JP)

(72) Inventors: **Kenji Abe**, Kawasaki (JP); **Kenichi Soejima**, Yokohama (JP)

(73) Assignee: **Nikon Corporation**, Tokyo (JP)

(\*\*) Term: **15 Years**

(21) Appl. No.: **29/574,461**

(22) Filed: **Aug. 16, 2016**

(30) **Foreign Application Priority Data**

Feb. 18, 2016 (JP) ..... 2016-003533

(51) **LOC (10) Cl.** ..... **16-01**

(52) **U.S. Cl.**  
USPC ..... **D16/202**

(58) **Field of Classification Search**  
USPC ..... D16/200, 202–206, 208, 218, 219;  
348/373–376; 396/535, 539–541  
CPC ..... G03B 15/03; G03B 17/02; G03B 17/04;  
G03B 17/56; G03B 19/04; H04N 5/2251;  
H04N 5/2252; H04N 5/2253; H04N  
5/2254; H04N 2101/00  
See application file for complete search history.

(56) **References Cited**

**U.S. PATENT DOCUMENTS**

D631,496 S *	1/2011	Tainaka	.....	D16/202
D633,934 S *	3/2011	Funakoshi	.....	D16/202
D647,552 S	10/2011	Ogasawara et al.	.....	
D657,408 S *	4/2012	Tainaka	.....	D16/202
D681,710 S *	5/2013	Sato	.....	D16/200
D698,839 S *	2/2014	Sato	.....	D16/200
D706,329 S *	6/2014	Sakai	.....	D16/202
D716,862 S *	11/2014	Hoshi	.....	D16/202
D719,993 S *	12/2014	Soejima	.....	D16/202
D720,786 S *	1/2015	Imamizu	.....	D16/202
D727,990 S	4/2015	Sakai	.....	

(Continued)

**FOREIGN PATENT DOCUMENTS**

JP	1413002 S	5/2011
JP	1495795 S	4/2014
JP	1535211	10/2015

**OTHER PUBLICATIONS**

Web page of Canon, Press Release dated Feb. 17, 2016, “Take that camera to go! Canon U.S.A. launches compact Powershot G7 X Mark II and PowerShot SX720 HS digital cameras,” pp. 1-2. <https://www.usa.canon.com/internet/portal/us/home/about/newsroom/press-releases/press-release-details/2016/20160217-camera-powershot-g7xmarkii-sx720h/20160217-camera-powershot-g7xmarkii-sx720h>.

(Continued)

*Primary Examiner* — Philip S Hyder

*Assistant Examiner* — Ramzi Almatrahi

(74) *Attorney, Agent, or Firm* — Wolf, Greenfield & Sacks, P.C.

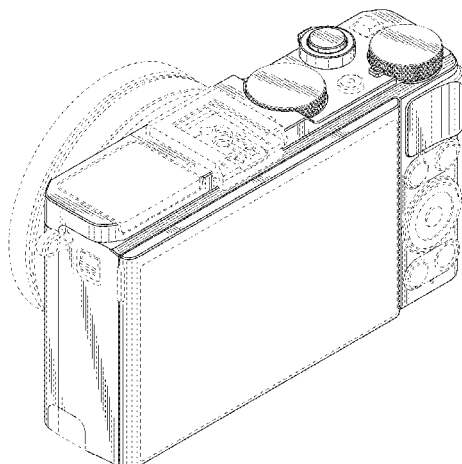
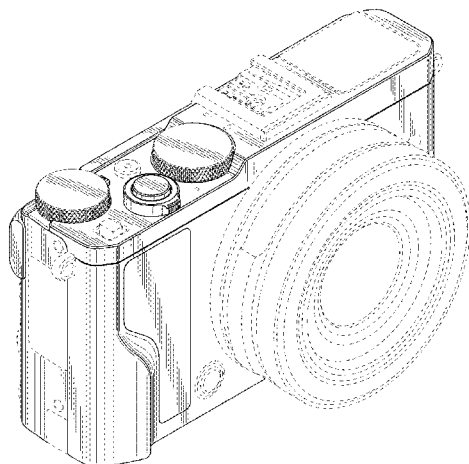
(57) **CLAIM**

The ornamental design for a digital camera, as shown and described.

**DESCRIPTION**

FIG. 1 is a front perspective view of a digital camera showing our new design;  
FIG. 2 is a rear perspective view thereof;  
FIG. 3 is a front elevational view thereof;  
FIG. 4 is a rear elevational view thereof;  
FIG. 5 is a top plan view thereof;  
FIG. 6 is a bottom plan view thereof;  
FIG. 7 is a right side elevational view thereof; and,  
FIG. 8 is a left side elevational view thereof.  
The broken lines depict portions of the digital camera in which the design is embodied that form no part of the claimed design. Additionally, the dash-dot lines denote the boundary of the claim and form no part of the claimed design.

**1 Claim, 8 Drawing Sheets**



(56)

**References Cited**

U.S. PATENT DOCUMENTS

D731,572 S \* 6/2015 Nohara ..... D16/202  
2011/0109790 A1\* 5/2011 Shinohara ..... G03B 17/14  
348/373  
2011/0298970 A1\* 12/2011 Shinohara ..... G03B 17/14  
348/373  
2013/0335623 A1\* 12/2013 Furuyama ..... G02B 7/023  
348/373

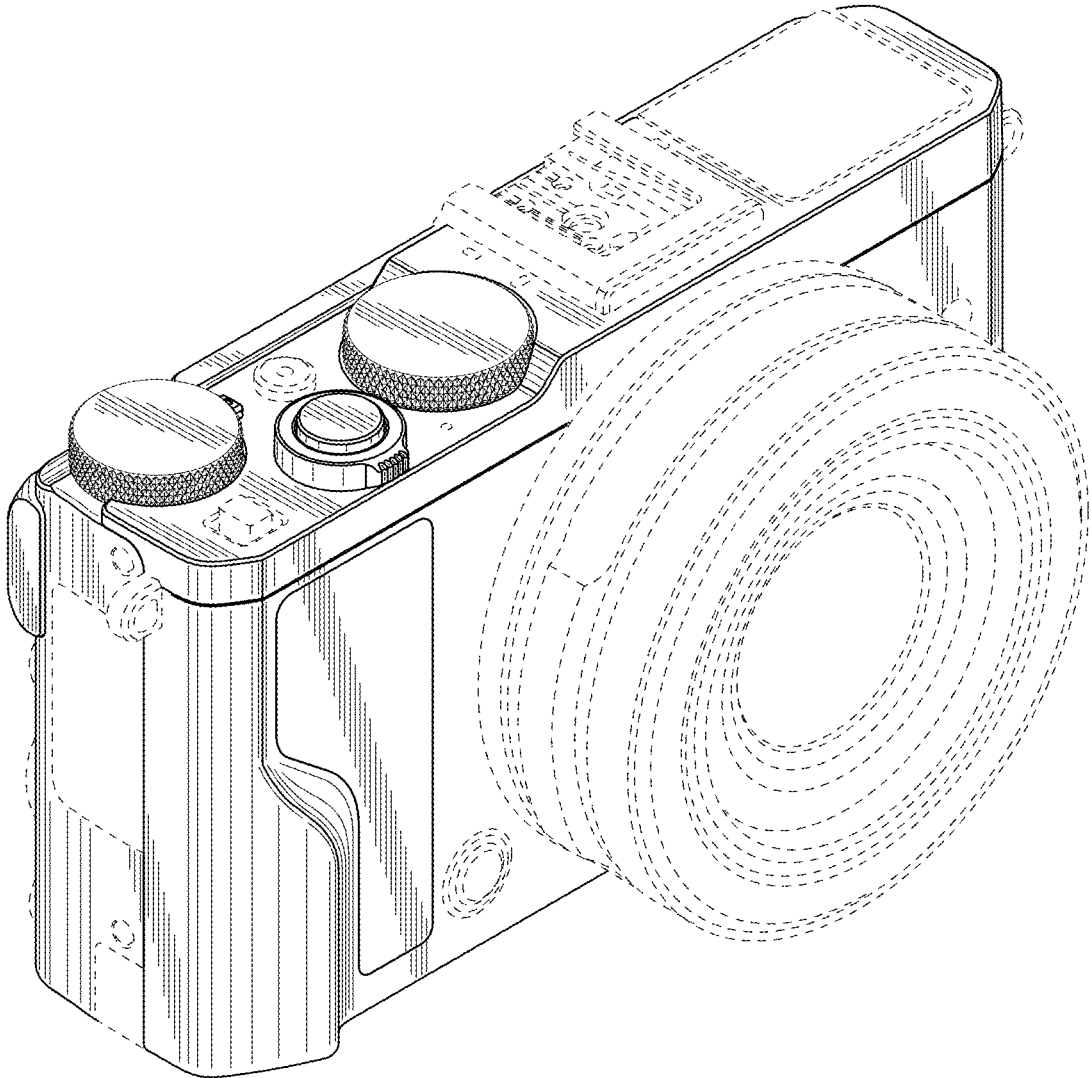
OTHER PUBLICATIONS

Web page of Sony Corporation, picture of AG-R1, attachment grip for a digital still camera, printed from the Internet on Aug. 2, 2016, pp. 1-4. <http://www.sony.jp/cyber-shot/products/AG-R1/image.html>.

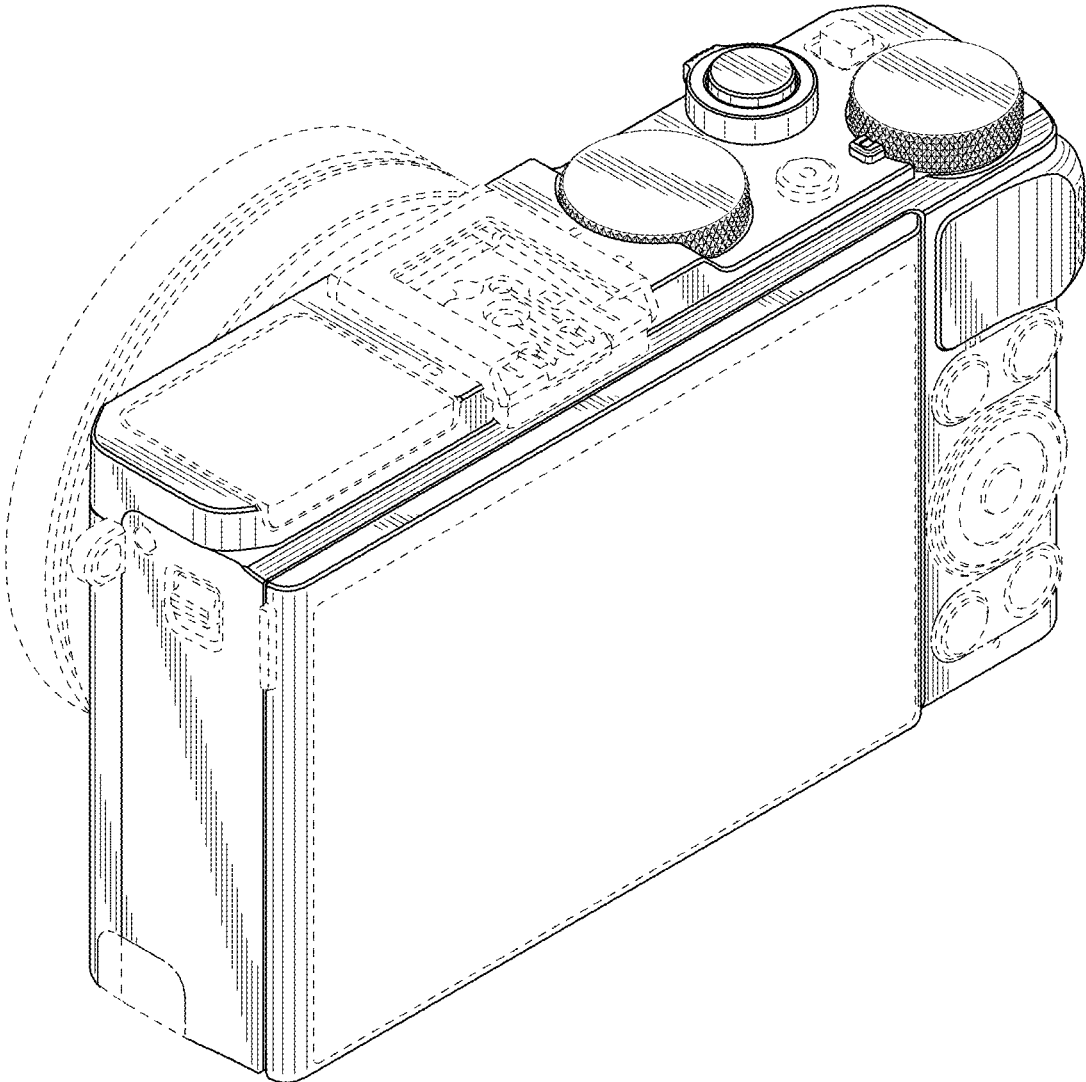
Web page of Sony Corporation, Press release dated Jun. 27, 2013 which introduces the launch of Cyber shot "RX100 II", printed from the Internet on Aug. 2, 2016, pp. 1-6. <http://www.sony.jp/CorporateCruise/Press/201306/13-0627/>.

\* cited by examiner

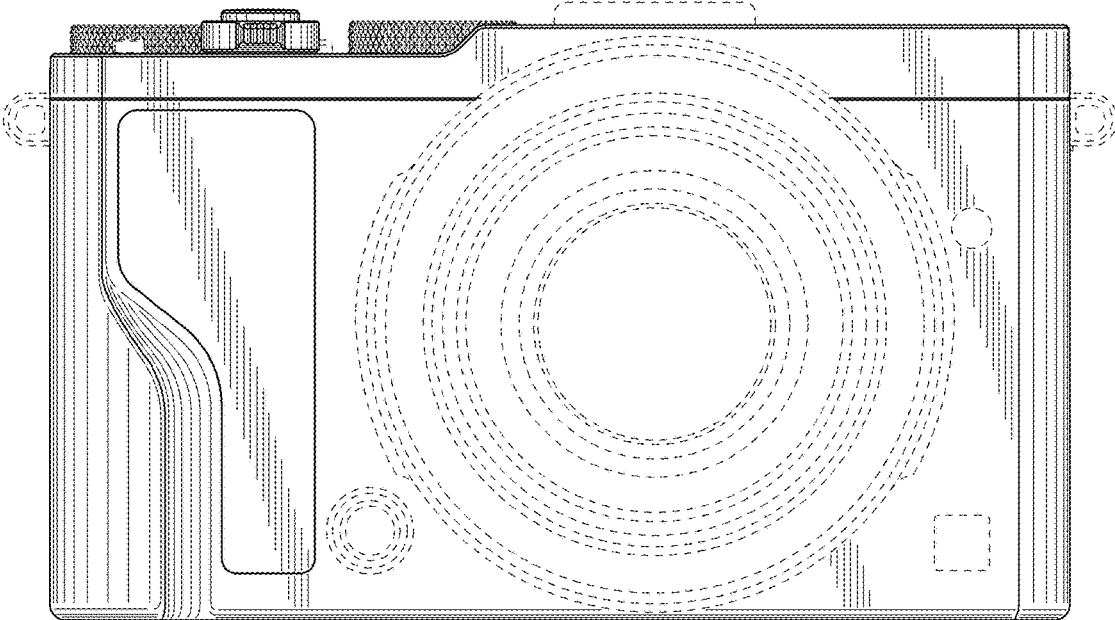
**FIG. 1**



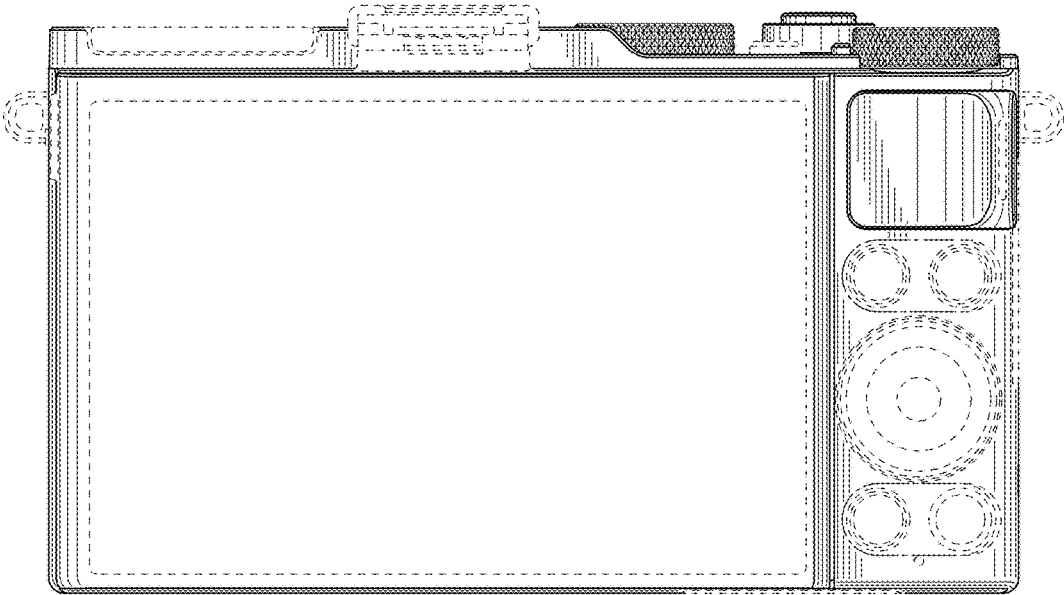
**FIG. 2**



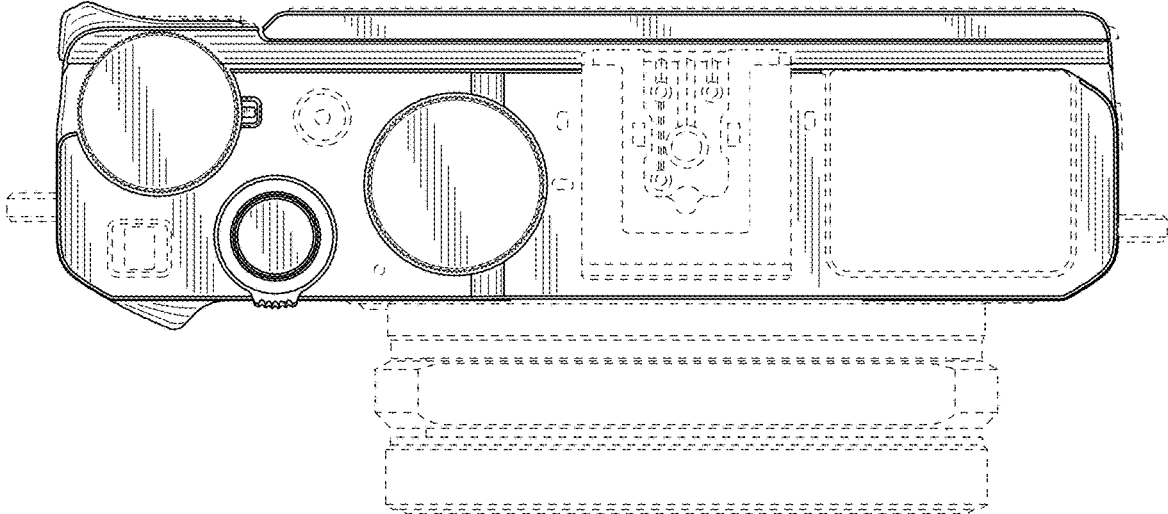
*FIG. 3*



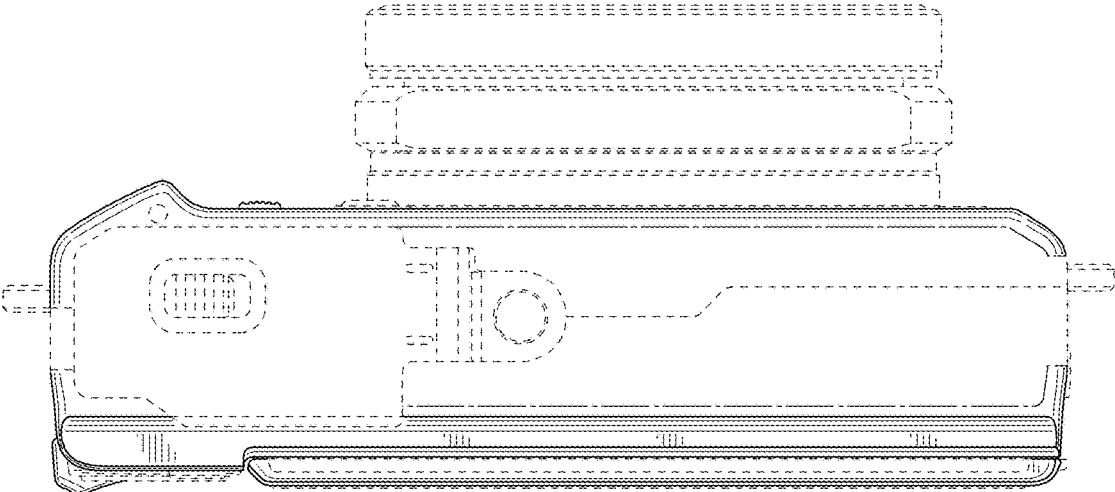
*FIG. 4*



*FIG. 5*

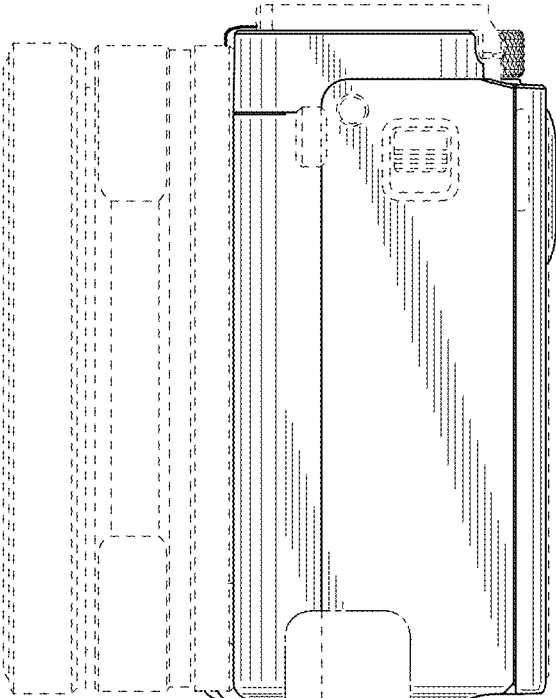


**FIG. 6**





*FIG. 7*



*FIG. 8*

