



US00D691090S

(12) **United States Design Patent**
Dachs

(10) **Patent No.:** **US D691,090 S**

(45) **Date of Patent:** **** Oct. 8, 2013**

(54) **CABLE CONNECTOR**

(71) Applicant: **Intuitive Surgical Operations, Inc.**,
Sunnyvale, CA (US)

(72) Inventor: **Gregory W. Dachs**, San Mateo, CA
(US)

(73) Assignee: **Intuitive Surgical Operations, Inc.**,
Sunnyvale, CA (US)

(**) Term: **14 Years**

(21) Appl. No.: **29/436,240**

(22) Filed: **Nov. 2, 2012**

(51) **LOC (9) Cl.** **13-03**

(52) **U.S. Cl.**
USPC **D13/146**

(58) **Field of Classification Search**
USPC D13/133, 146-147, 154, 158, 162,
D13/173, 177, 184, 199; 439/344, 378, 395,
439/409, 676, 607.04, 607.12, 607.14, 607.15,
439/685, 692, 732, 907, 908; D1/107, 111;
D14/432, 433, 438, 439; D21/488, 503,
D21/597, 599

See application file for complete search history.

(56) **References Cited**

U.S. PATENT DOCUMENTS

D141,099 S * 5/1945 Baumgardner D13/173
D141,101 S * 5/1945 Baumgardner D13/173

4,211,461 A * 7/1980 Wescott 439/357
5,180,316 A * 1/1993 Miller et al. 439/607.5
D420,980 S * 2/2000 Tennesen D13/146
D472,523 S * 4/2003 Hansen D13/146
D491,526 S * 6/2004 D'Addario et al. D13/146
D560,610 S * 1/2008 McCoy D13/146
D563,884 S * 3/2008 Dever D13/147
D617,272 S * 6/2010 The D13/133
D639,743 S * 6/2011 Smith et al. D13/146
D639,744 S * 6/2011 Smith et al. D13/146
2004/0152354 A1 * 8/2004 Luther et al. 439/378

* cited by examiner

Primary Examiner — Derrick Holland

Assistant Examiner — Lauren Calve

(57) **CLAIM**

The ornamental design for a cable connector, as shown and described.

DESCRIPTION

FIG. 1 is a perspective view of a cable connector showing my new design.

FIG. 2 is a second perspective view of the cable connector of FIG. 1.

FIG. 3 is a front view of the cable connector of FIG. 1.

FIG. 4 is a bottom view of the cable connector of FIG. 1.

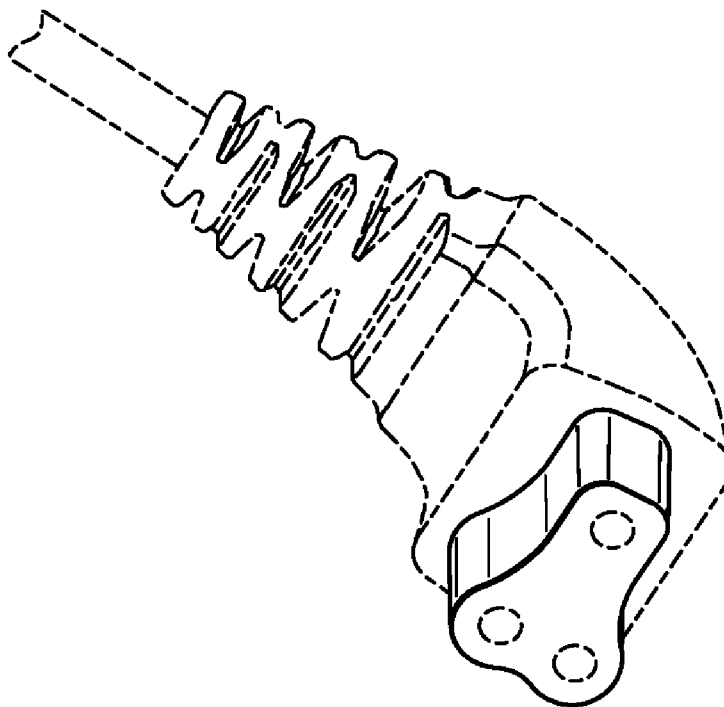
FIG. 5 is a left side view of the cable connector of FIG. 1.

FIG. 6 is a top view of the cable connector of FIG. 1; and,

FIG. 7 is a right side view of the cable connector of FIG. 1.

The broken line showing of a cable connector represents unclaimed subject matter and forms no part of the claimed design.

1 Claim, 2 Drawing Sheets



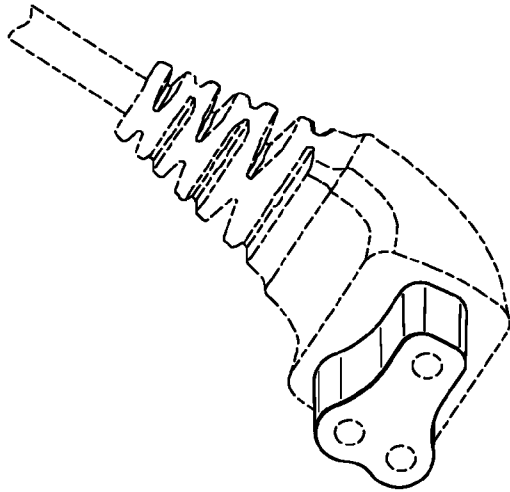


FIG. 1

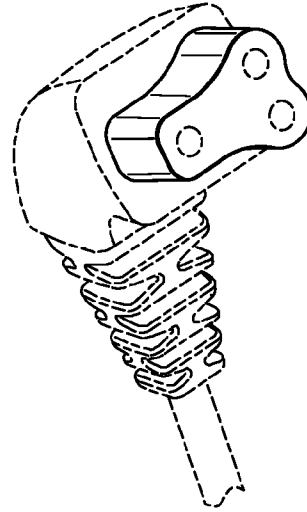


FIG. 2

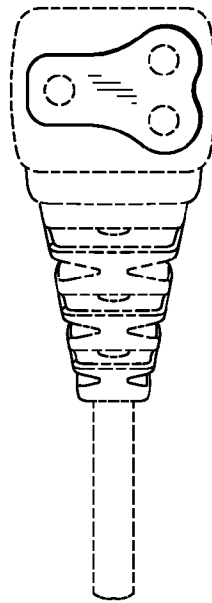


FIG. 3

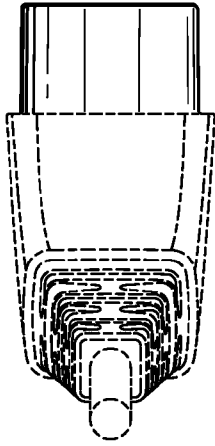


FIG. 4

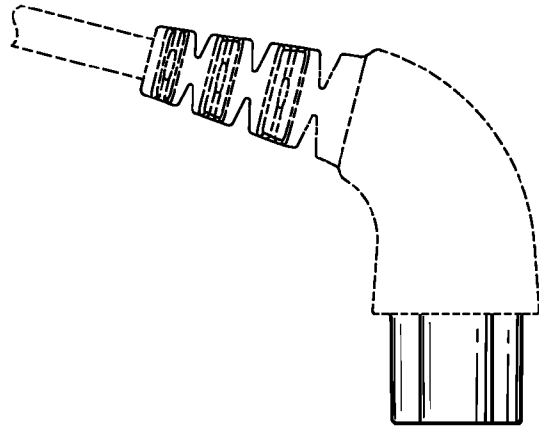


FIG. 5

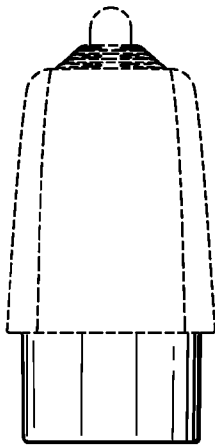


FIG. 6

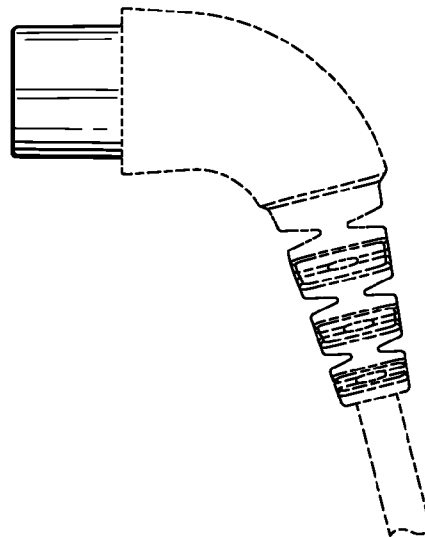


FIG. 7