



US00D362274S

United States Patent [19]

[11] Patent Number: **Des. 362,274**

Willat

[45] Date of Patent: **** Sep. 12, 1995**

[54] WRITING INSTRUMENT CASE

[76] Inventor: **Boyd I. Willat**, 1414 N. Harper Ave.,
Los Angeles, Calif. 90046

[**] Term: **14 Years**

[21] Appl. No.: **17,516**

[22] Filed: **Jan. 18, 1994**

[52] U.S. Cl. **D19/83; D19/77;**
D3/206

[58] Field of Search **D9/341, 345, 430, 432;**
D19/35, 36, 65, 75, 78, 81-85, 95, 99, 100;
206/1.7, 1.8, 214, 224, 371; D3/206

[56] References Cited

U.S. PATENT DOCUMENTS

D. 117,437	10/1939	Holt et al.	D19/81 X
D. 147,025	7/1947	Shepard	D19/83 X
D. 235,080	5/1975	Verona	D19/85 X
D. 306,234	2/1990	Ferstl	D19/77 X
D 330,914	11/1992	Müller	D19/85 X
4,807,744	2/1989	Chiou	206/214

FOREIGN PATENT DOCUMENTS

2358900 6/1975 Germany 206/214

Primary Examiner—Martie Thompson
Attorney, Agent, or Firm—Kelly Bauersfield & Lowry

[57] CLAIM

The ornamental design for a writing instrument case, as shown and described.

DESCRIPTION

FIG. 1 is a perspective view showing the top, front, and left sides of a writing instrument case showing my new design, the dotted line depiction of a writing instrument being for illustrative purposes only;

FIG. 2 is a top plan view thereof;

FIG. 3 is a front elevational view thereof;

FIG. 4 is a right side elevational view thereof, the left side being a mirror image of the right side as shown;

FIG. 5 is a rear elevational view thereof;

FIG. 6 is a bottom plan view thereof; and,

FIG. 7 is a perspective view illustrating the writing instrument case in an open position.

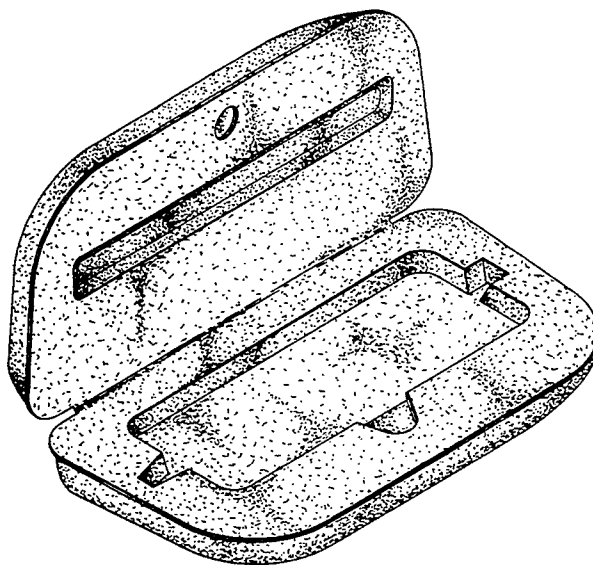
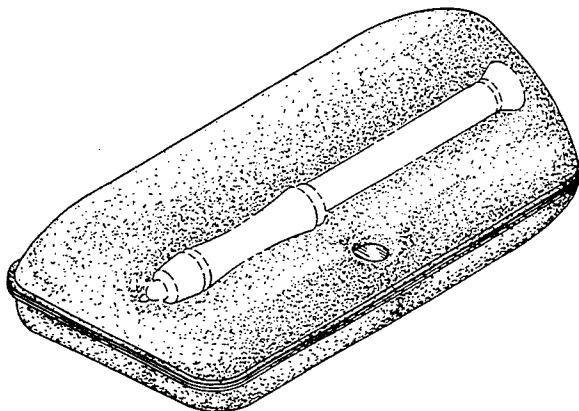


FIG. 1

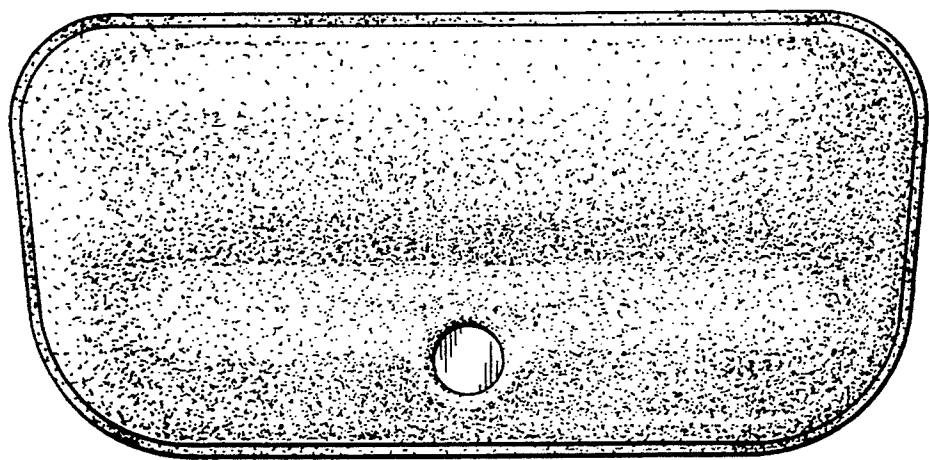
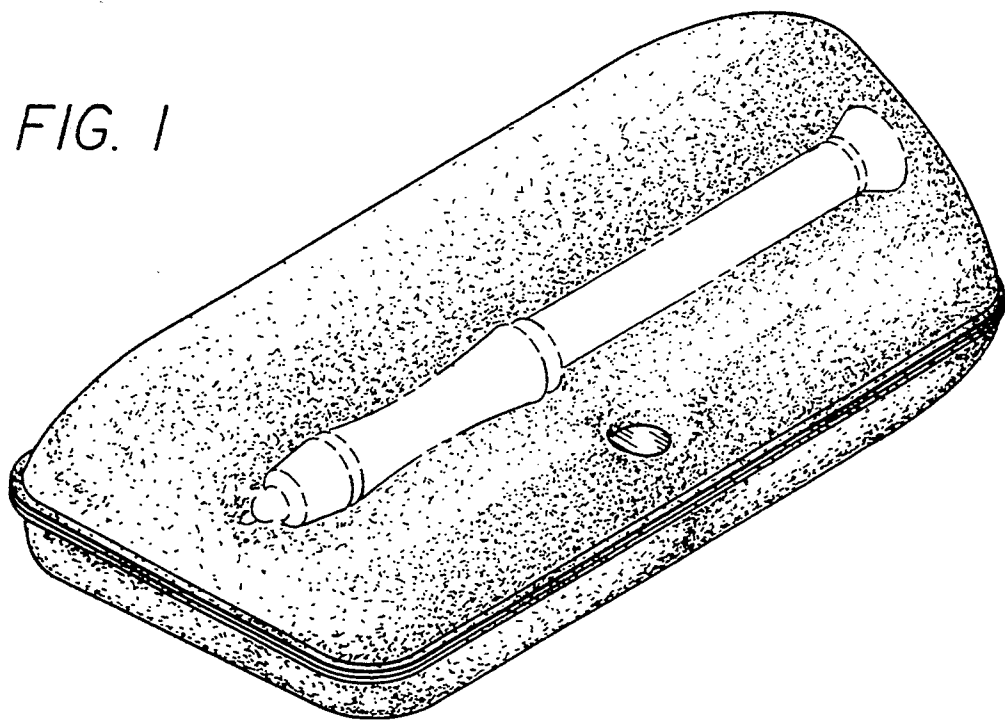


FIG. 2

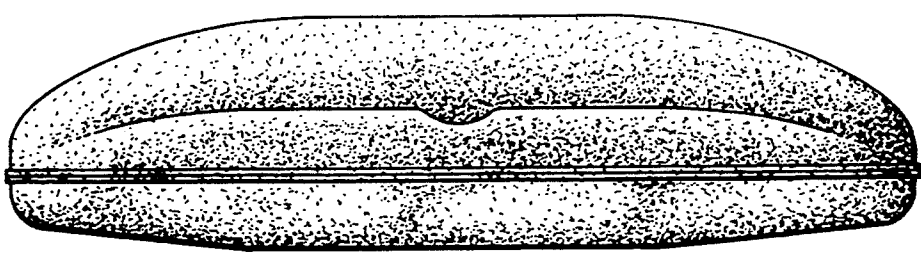


FIG. 3

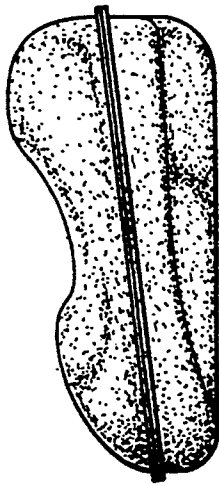


FIG. 4

FIG. 5

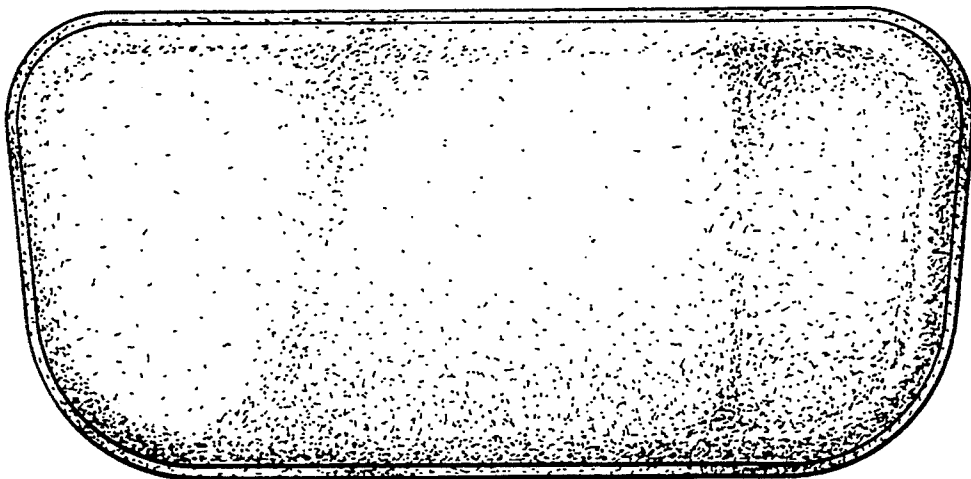
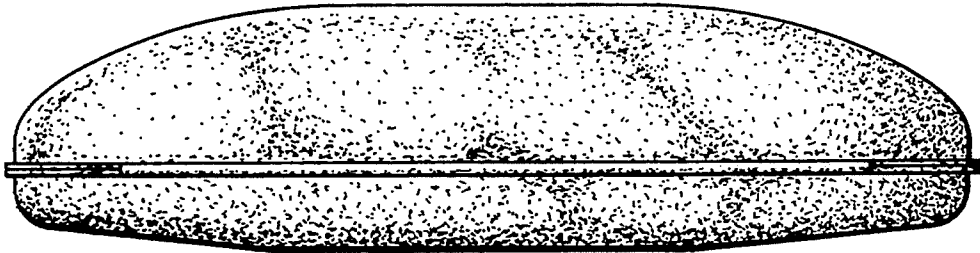


FIG. 6

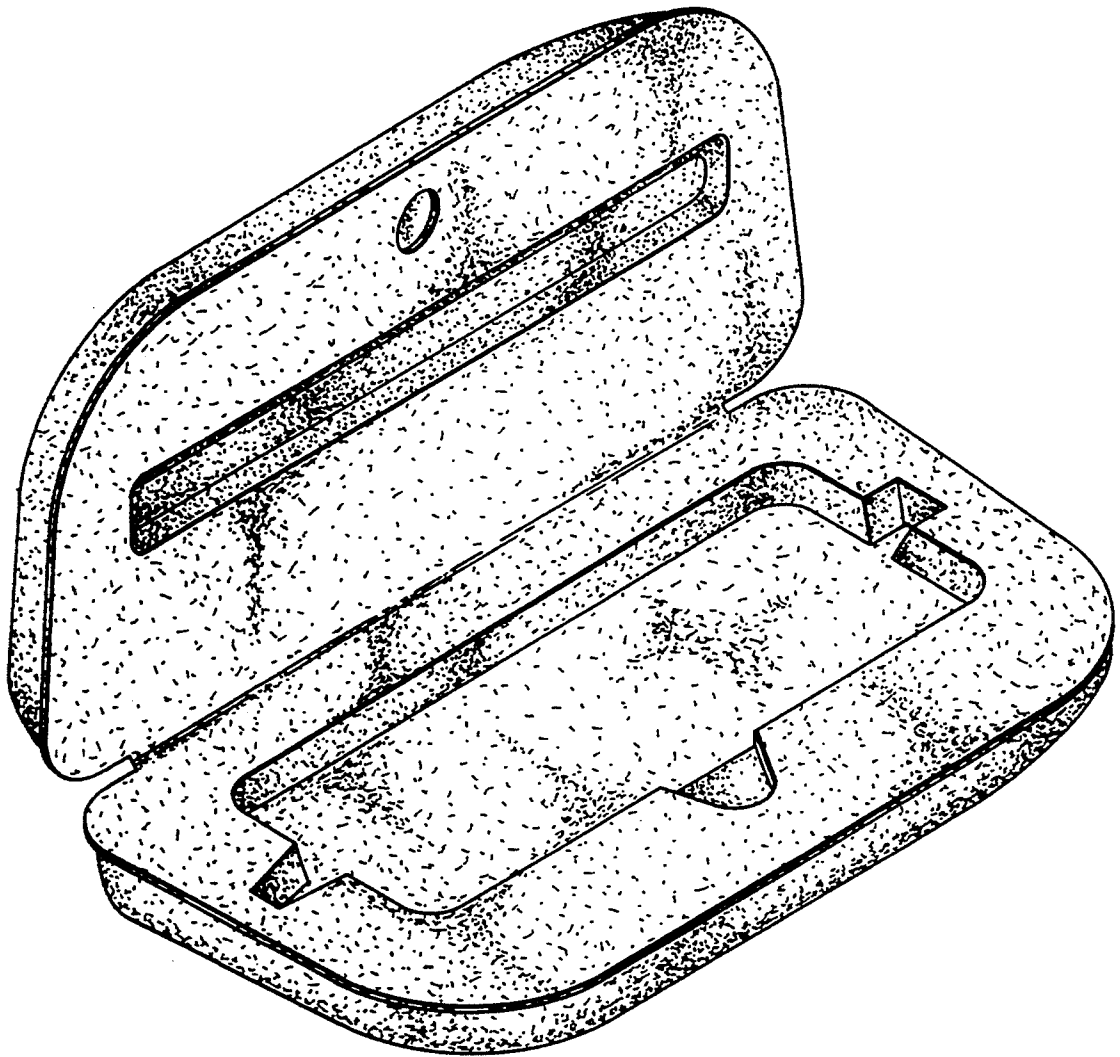


FIG. 7