



US00D948955S

(12) **United States Design Patent** (10) **Patent No.:** **US D948,955 S**
Wahl et al. (45) **Date of Patent:** **** Apr. 19, 2022**

(54) **BEVERAGE CONTAINER**

(56) **References Cited**

(71) Applicant: **Pacific Market International, LLC**,
Seattle, WA (US)
(72) Inventors: **Andrew C. F. Wahl**, Seattle, WA (US);
Matthew Kenneth Dolph, Seattle, WA
(US)
(73) Assignee: **Pacific Market International, LLC**,
Seattle, WA (US)
(**) Term: **15 Years**
(21) Appl. No.: **29/726,761**
(22) Filed: **Mar. 5, 2020**

U.S. PATENT DOCUMENTS
D120,134 S 4/1940 Morrison
2,963,187 A * 12/1960 Bramming A47J 41/02
215/12.1
D234,110 S 1/1975 Achenbach
4,344,303 A 8/1982 Kelly, Jr.
4,462,444 A 7/1984 Larson
4,615,463 A 10/1986 Price et al.
D310,942 S 10/1990 Woodall
4,966,303 A 10/1990 Jones
D411,802 S * 7/1999 Hesthave D9/500
D437,528 S * 2/2001 Kitamura D7/608
(Continued)

OTHER PUBLICATIONS

U.S. Appl. No. 29/719,765, filed Jan. 7, 2020.
(Continued)

Related U.S. Application Data

(63) Continuation of application No. 29/720,579, filed on
Jan. 14, 2020.
(51) **LOC (13) Cl.** **07-01**
(52) **U.S. Cl.**
USPC **D7/608**
(58) **Field of Classification Search**
USPC D7/605-608, 509-511, 619.1-625, 629,
D7/630; D9/500, 502-505, 516, 549,
D9/557, 558
CPC B65D 81/3837; B65D 81/3839; B65D
81/3841; B65D 81/3844; B65D 81/3846;
B65D 81/3869; B65D 81/3881; B65D
81/3876; B65D 81/3865; B65D 81/38;
B65D 23/104; B65D 1/00; B65D 1/02;
B65D 2501/00; B65D 2501/0009; A47J
41/0005; A47J 41/0083; A47J 41/02;
A47J 41/024; A47J 41/026; A47J 41/028;
A47J 41/0077; A47J 41/00; A47J
41/0088; F25D 2331/803; F25D 3/08;
A45C 11/20

See application file for complete search history.

Primary Examiner — Terry A Wallace
(74) *Attorney, Agent, or Firm* — George C. Rondeau, Jr.;
Davis Wright Tremaine, LLC

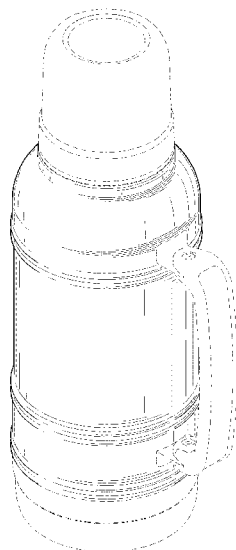
(57) **CLAIM**

The ornamental design for a beverage container, as shown
and described.

DESCRIPTION

FIG. 1 is a top perspective view of a beverage container
showing our new design.
FIG. 2 is a bottom perspective view thereof.
FIG. 3 is a left side view thereof.
FIG. 4 is a rear view thereof.
FIG. 5 is a right side view thereof.
FIG. 6 is a front view thereof.
FIG. 7 is a top plan view thereof; and,
FIG. 8 is a bottom plan view thereof.
The broken lines depict portions of the beverage container
which form no part of the claimed design.

1 Claim, 7 Drawing Sheets



US D948,955 S

(56)

References Cited

U.S. PATENT DOCUMENTS

6,332,557 B1 *	12/2001	Moran	A47J 41/0083 215/12.1
D454,034 S	3/2002	McLaughlin	
D495,875 S	9/2004	Spence, Jr.	
D518,380 S	4/2006	Moran	
D551,022 S	9/2007	Meehan	
D553,908 S	10/2007	Bonini	
D557,994 S	12/2007	Wahl	
D590,212 S	4/2009	Mancha, Jr. et al.	
D630,062 S *	1/2011	Carreno	D7/608
D639,114 S	6/2011	Swinford et al.	
D649,402 S	11/2011	Gilbert et al.	
D650,235 S	12/2011	Eyal	
D652,257 S *	1/2012	Kraemer	D7/523
D660,084 S	5/2012	Gilbert	
D660,655 S	5/2012	Wahl et al.	
D669,737 S *	10/2012	Nemeth	D7/532
D701,428 S	3/2014	Lapsker	
D709,736 S	7/2014	Gooding	
D718,980 S	12/2014	Lapsker	
D742,221 S	11/2015	Casiddu	
D742,699 S *	11/2015	Boroski	D7/608

D754,484 S *	4/2016	Lapsker	D7/532
D756,784 S *	5/2016	Fine	D9/500
D769,046 S *	10/2016	Beckman	B65D 25/28 D7/316
D784,763 S	4/2017	Oshana	
9,845,989 B1	12/2017	Veiga	
D809,347 S *	2/2018	Silsby	D7/608
D827,377 S *	9/2018	Silsby	D7/510
D829,057 S	9/2018	Agado	
10,959,553 B2 *	3/2021	Nichols	A47J 41/0027
D917,968 S *	5/2021	Silsby	D7/510
2007/0241117 A1	10/2007	Szymanski	

OTHER PUBLICATIONS

U.S. Appl. No. 29/726,740, filed Mar. 5, 2020.
 U.S. Appl. No. 29/720,574, filed Jan. 14, 2020.
 U.S. Appl. No. 29/726,746, filed Mar. 5, 2020.
 U.S. Appl. No. 29/719,766, filed Jan. 7, 2020.
 U.S. Appl. No. 29/726,753, filed Mar. 5, 2020.
 U.S. Appl. No. 29/720,579, filed Jan. 14, 2020.
 Information Disclosure Statement Transmittal Letter filed herewith,
 dated Jul. 6, 2020, 2 pages.

* cited by examiner

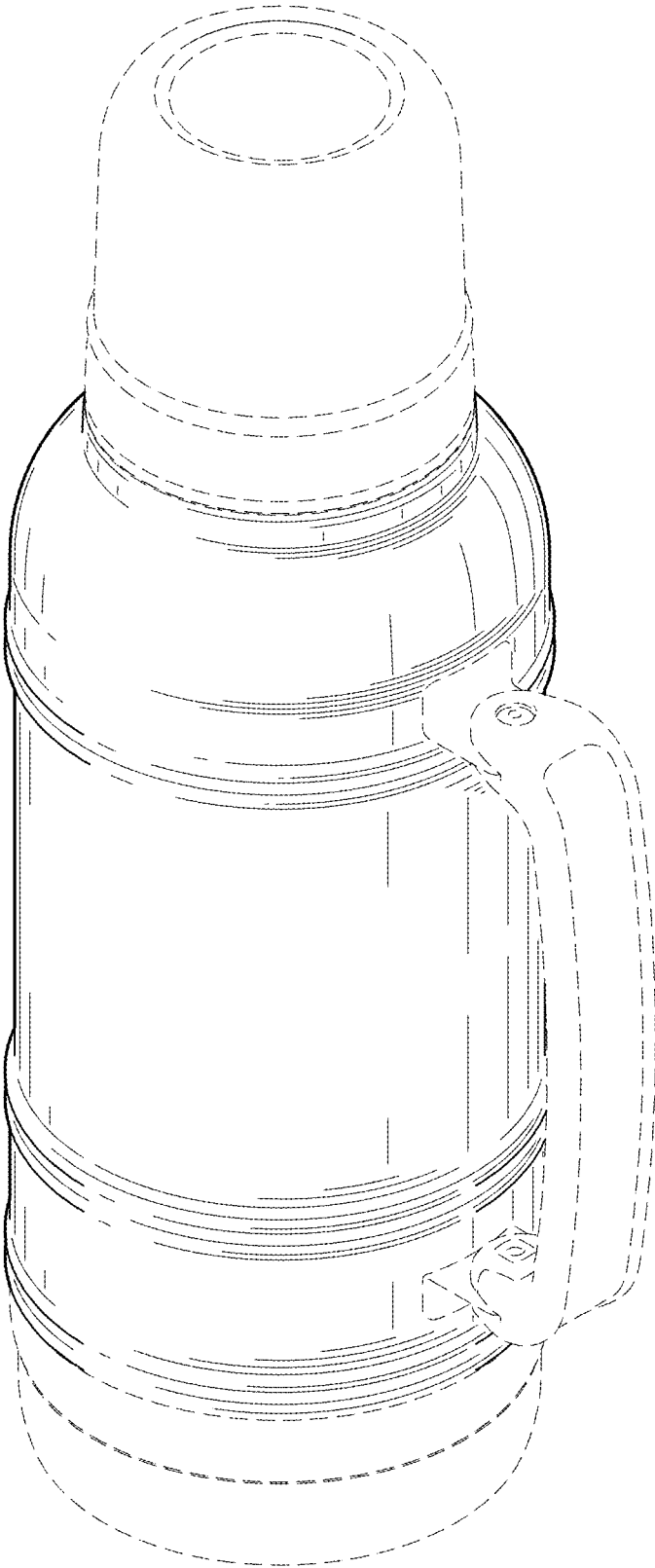


FIG. 1

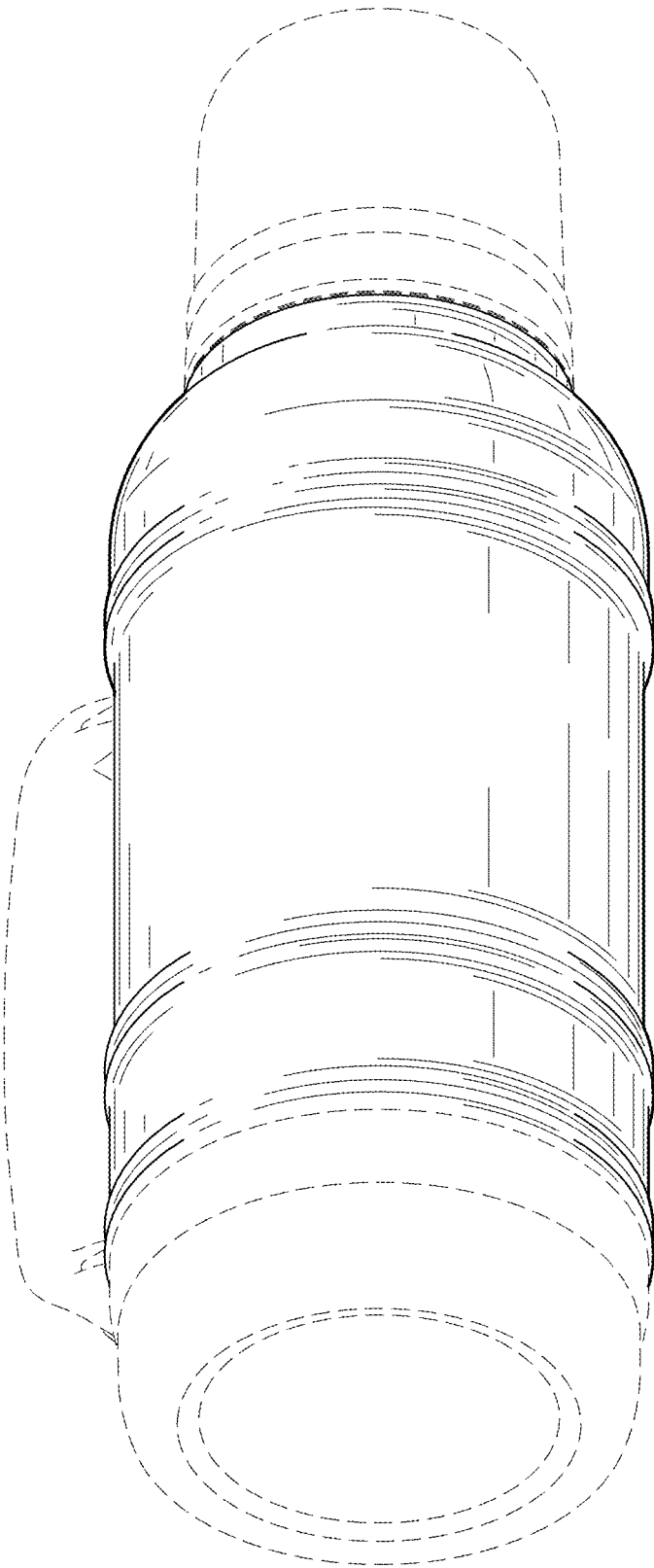


FIG. 2

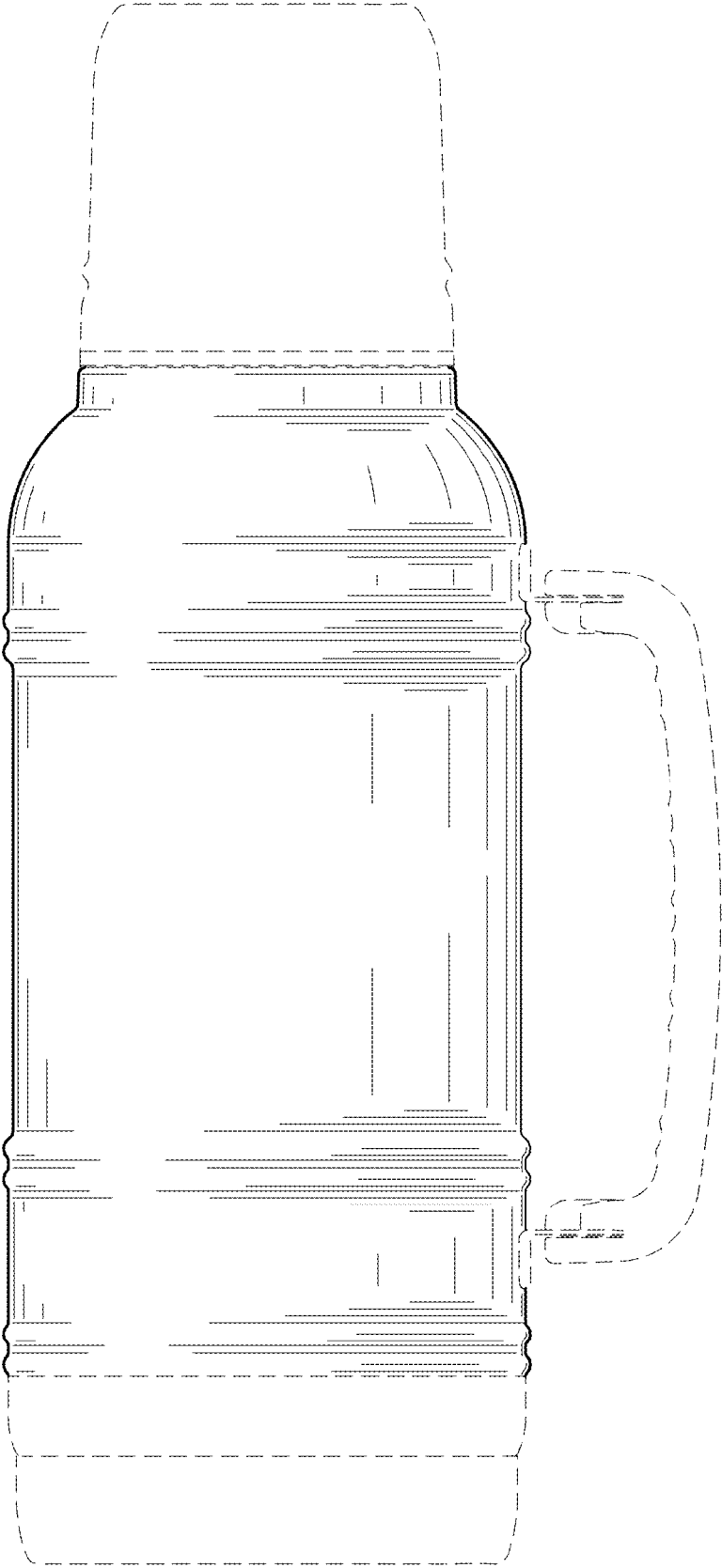


FIG. 3

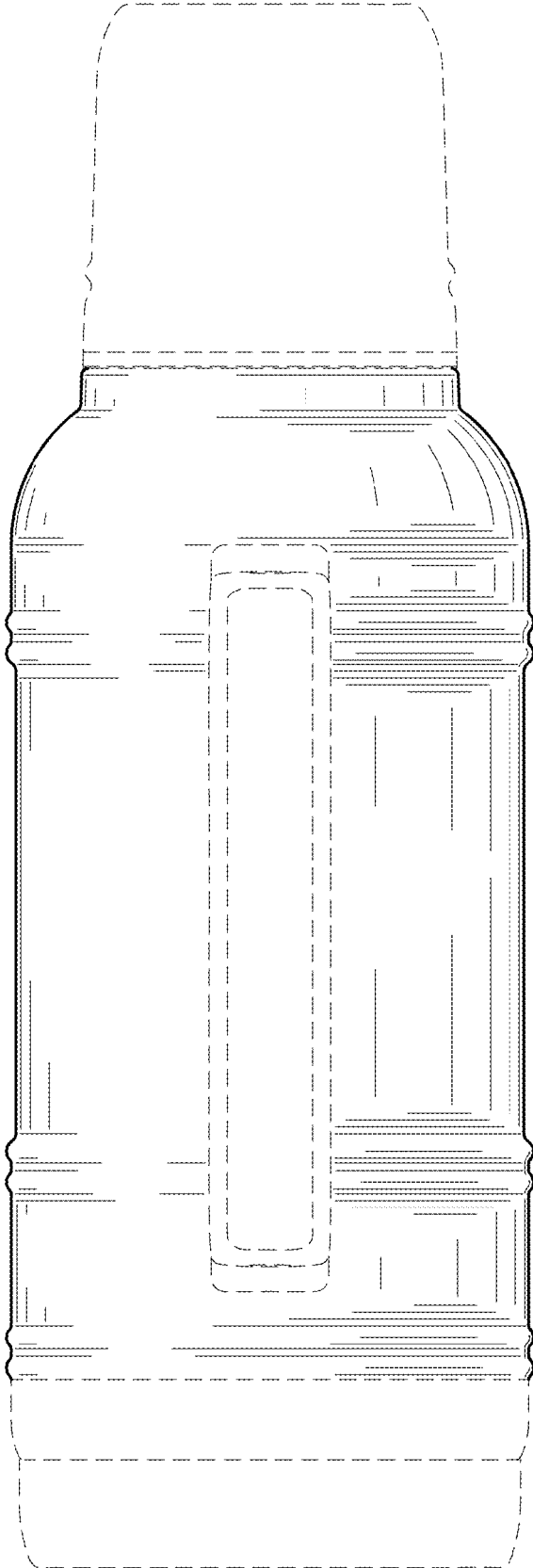


FIG. 4

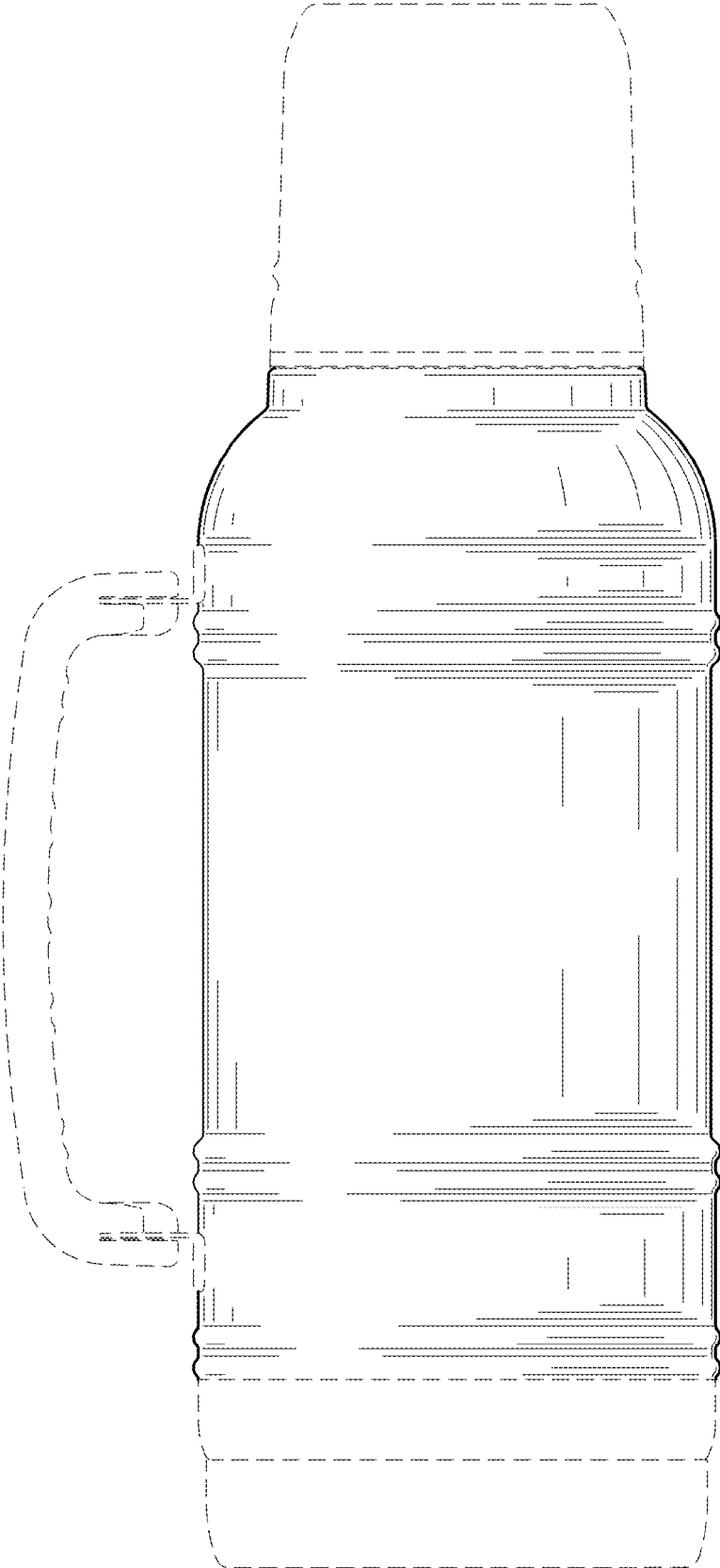


FIG. 5

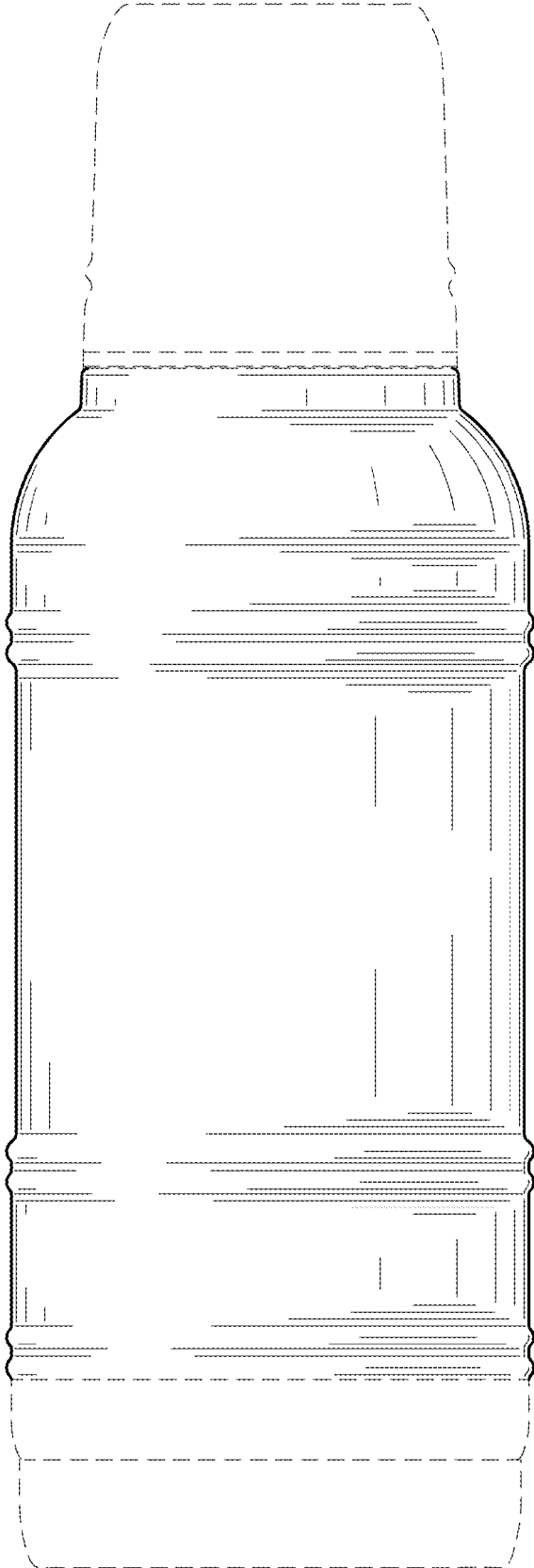


FIG. 6

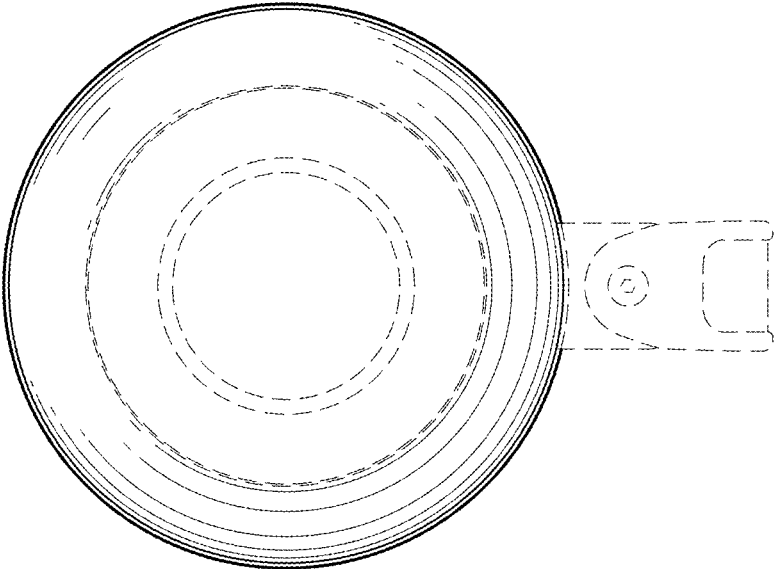


FIG. 7

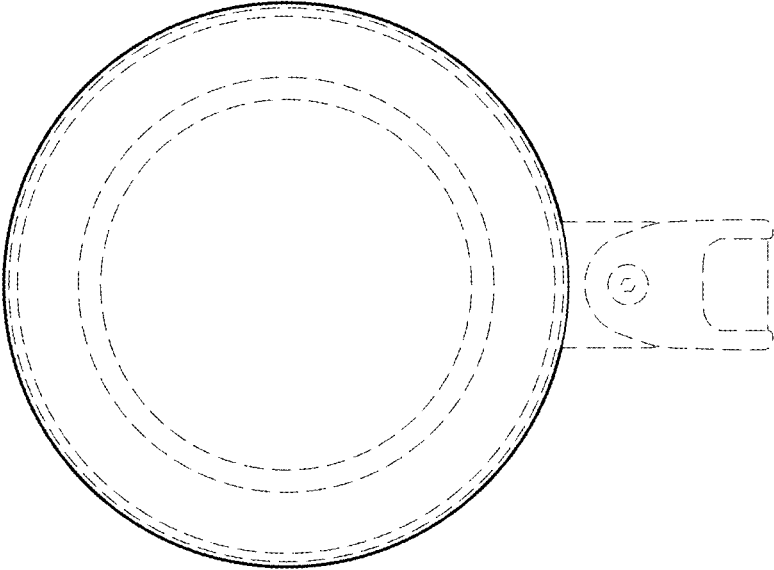


FIG. 8