



US00D800361S

(12) **United States Design Patent**
Robertson et al.

(10) **Patent No.:** **US D800,361 S**

(45) **Date of Patent:** **** Oct. 17, 2017**

(54) **FRONT BICYCLE LIGHT**

(71) Applicant: **Light & Motion Industries**, Marina, CA (US)

(72) Inventors: **Beau Jesse Robertson**, Santa Cruz, CA (US); **Jarod Armer**, Aromas, CA (US)

(73) Assignee: **Light & Motion Industries**, Marina, CA (US)

(**) Term: **15 Years**

(21) Appl. No.: **29/560,240**

(22) Filed: **Apr. 4, 2016**

(51) **LOC (10) Cl.** **26-02**

(52) **U.S. Cl.**
USPC **D26/28**

(58) **Field of Classification Search**
USPC D26/28, 60–63
CPC B62J 6/001; B62J 6/02; B62J 6/003; F21S 4/00; F21V 21/00
See application file for complete search history.

(56) **References Cited**

U.S. PATENT DOCUMENTS

D574,986 S * 8/2008 Kumthampinij D26/60
D678,562 S * 3/2013 Chan D26/28

D686,768 S * 7/2013 Burns D26/60
D716,986 S * 11/2014 Ng D26/60
D733,948 S * 7/2015 Liao D26/28
D757,311 S * 5/2016 Nagano D26/28

* cited by examiner

Primary Examiner — Brian N Vinson

(74) *Attorney, Agent, or Firm* — Thomas M. Freiburger

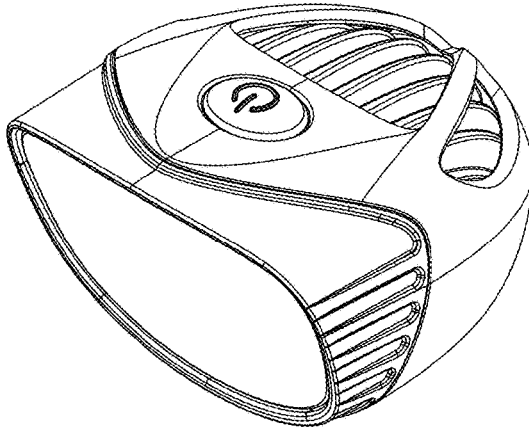
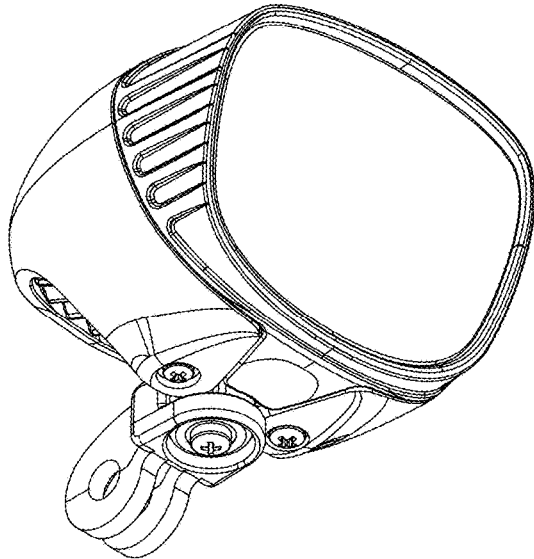
(57) **CLAIM**

The ornamental design for a front bicycle light, substantially as shown and described.

DESCRIPTION

FIG. 1 is a front/bottom perspective view thereof;
FIG. 2 is a front/top perspective view thereof;
FIG. 3 is a front view thereof;
FIG. 4 is a rear view thereof;
FIG. 5 is a left side view thereof;
FIG. 6 is a right side view thereof;
FIG. 7 is a top plan view thereof; and,
FIG. 8 is a bottom plan view thereof.

1 Claim, 4 Drawing Sheets



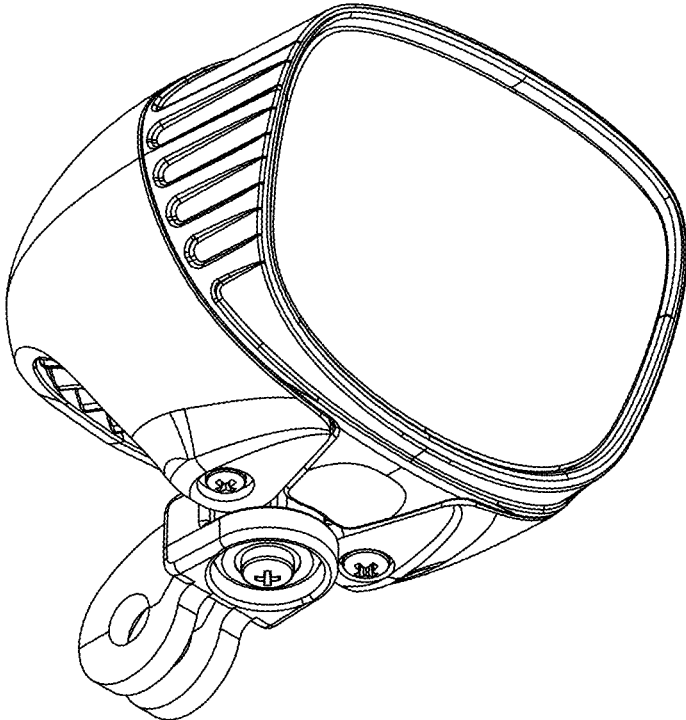


FIG. 1

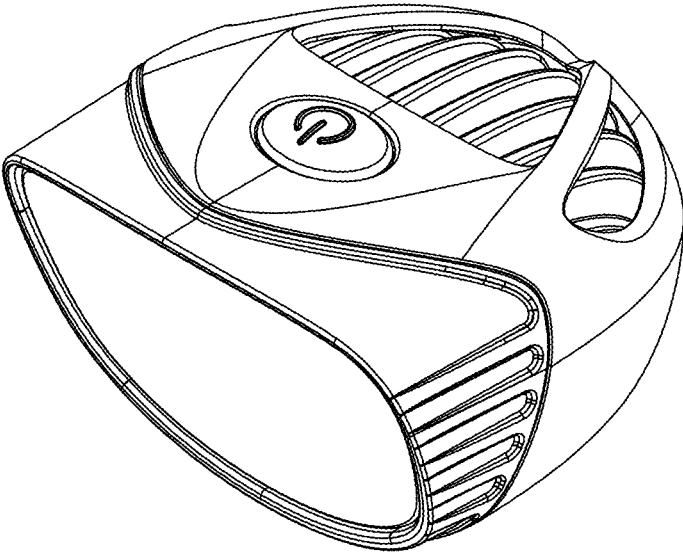


FIG. 2

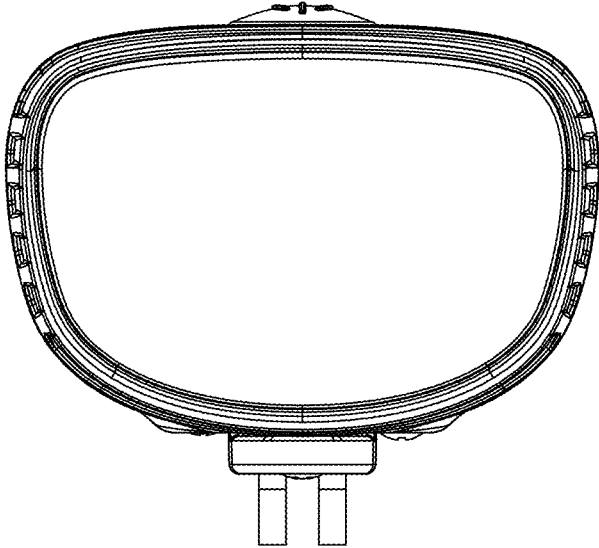


FIG. 3

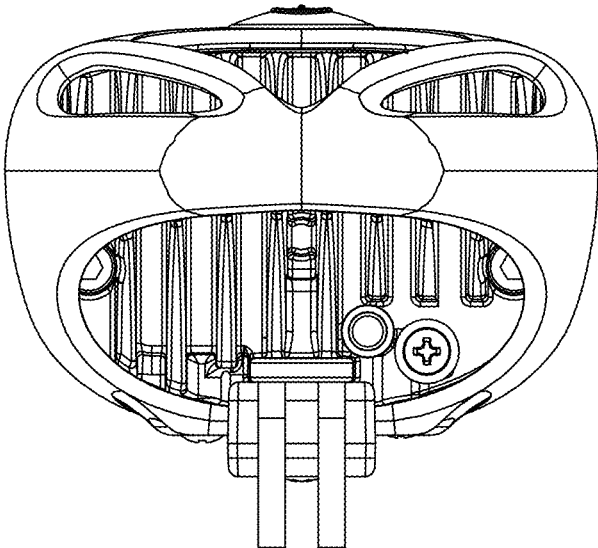


FIG. 4

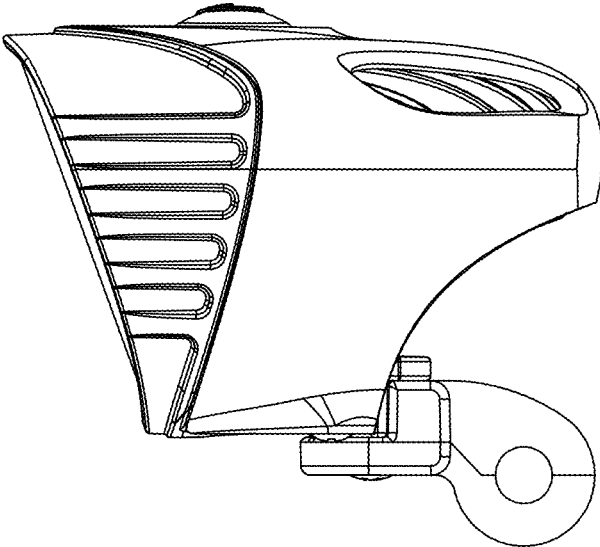


FIG. 5

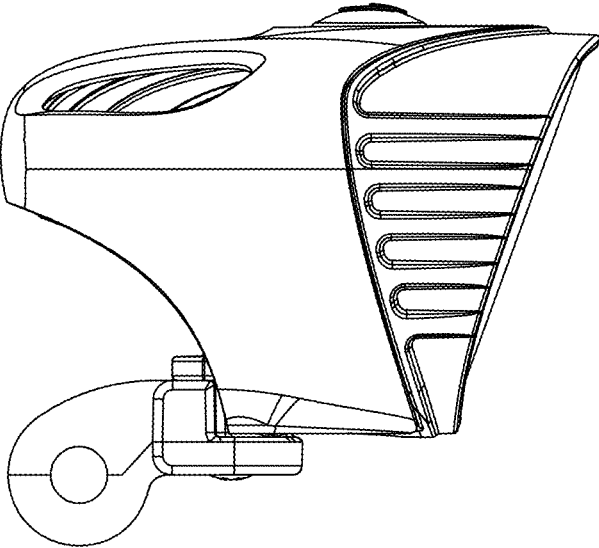


FIG. 6

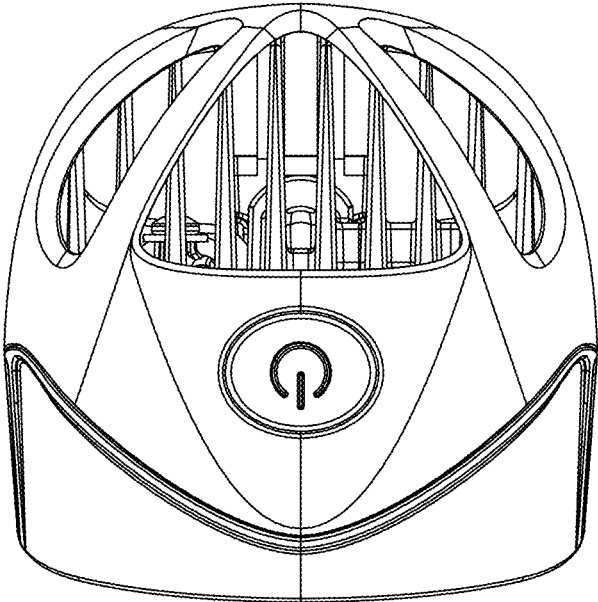


FIG. 7

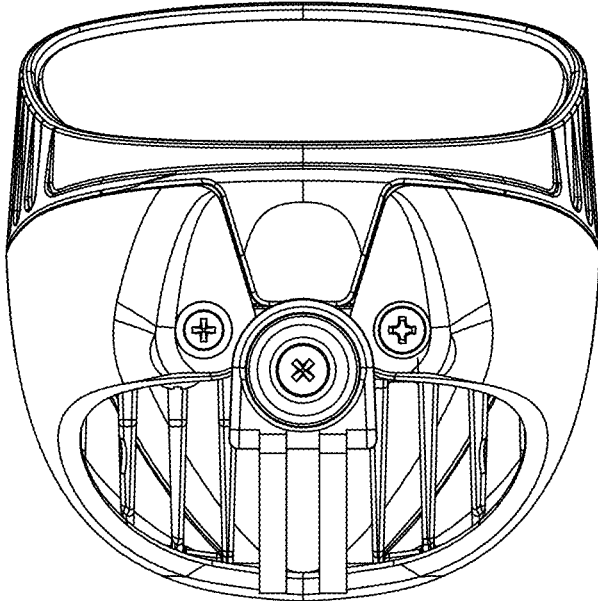


FIG. 8