



US00D564606S

(12) **United States Design Patent**
Oldknow et al.

(10) **Patent No.:** **US D564,606 S**

(45) **Date of Patent:** **** Mar. 18, 2008**

(54) **GOLF CLUB HEAD FOR A PUTTER**

(75) Inventors: **Andrew G. V. Oldknow**, Beaverton, OR (US); **David N. Franklin**, Granbury, TX (US); **John T. Stites**, Weatherford, TX (US)

(73) Assignee: **Nike, Inc.**, Beaverton, OR (US)

(**) Term: **14 Years**

(21) Appl. No.: **29/297,237**

(22) Filed: **Nov. 7, 2007**

(51) **LOC (8) CL.** **21-02**

(52) **U.S. CL.** **D21/736**

(58) **Field of Classification Search** D21/736-746, D21/759; 473/324-331, 340-341, 251-256

See application file for complete search history.

(56) **References Cited**

U.S. PATENT DOCUMENTS

D389,539 S *	1/1998	Moore	D21/739
D496,417 S *	9/2004	Tang	D21/738
D506,796 S	6/2005	Li		
D507,316 S	7/2005	Li		
D508,273 S *	8/2005	Garner et al.	D21/743
6,974,394 B1	12/2005	Tang et al.		
D521,582 S	5/2006	Souza et al.		
D529,108 S	9/2006	Stites et al.		
D532,067 S	11/2006	Soracco et al.		
D533,609 S *	12/2006	Moore et al.	D21/742
D541,361 S *	4/2007	Oldknow	D21/759
D542,873 S *	5/2007	Oldknow et al.	D21/759
D546,407 S *	7/2007	Oldknow et al.	D21/759
2002/0103039 A1	8/2002	Shmoldas et al.		

2005/0215346 A1	9/2005	Iwade
2006/0040763 A1	2/2006	Soracco et al.
2006/0223646 A1	10/2006	Rife
2007/0155537 A1	7/2007	Morris et al.

OTHER PUBLICATIONS

Edwin Watts Golf Late Spring 2004 Catalog, DOC-17 Putter #6056, p. 19, dated 2004.

* cited by examiner

Primary Examiner—Mitchell Siegel

(74) *Attorney, Agent, or Firm*—Banner & Witcoff, Ltd.

(57) **CLAIM**

The ornamental design for a golf club head for a putter, as shown and described.

DESCRIPTION

FIG. 1 is a top perspective view of a golf club head for a putter showing our new design;

FIG. 2 is a rear view thereof;

FIG. 3 is a toe end view thereof;

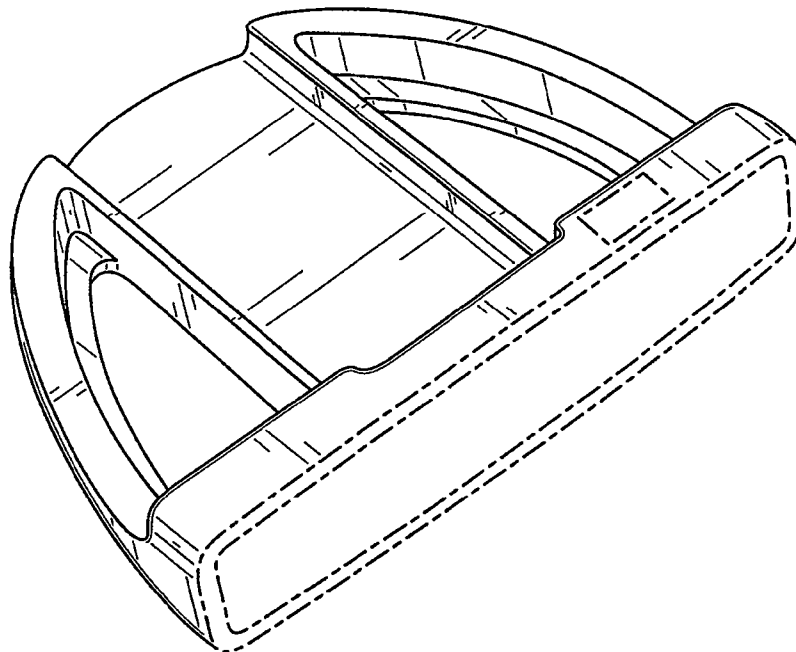
FIG. 4 is a heel end view thereof;

FIG. 5 is a top view thereof; and,

FIG. 6 is a bottom view thereof.

The uneven broken line immediately adjacent to the shaded area represents an unclaimed boundary of the design. The unshaded rectangular region within the shaded region and the uneven broken line showing of the remainder of the golf club head for a putter are for illustrative purposes only and form no part of the claimed design.

1 Claim, 4 Drawing Sheets



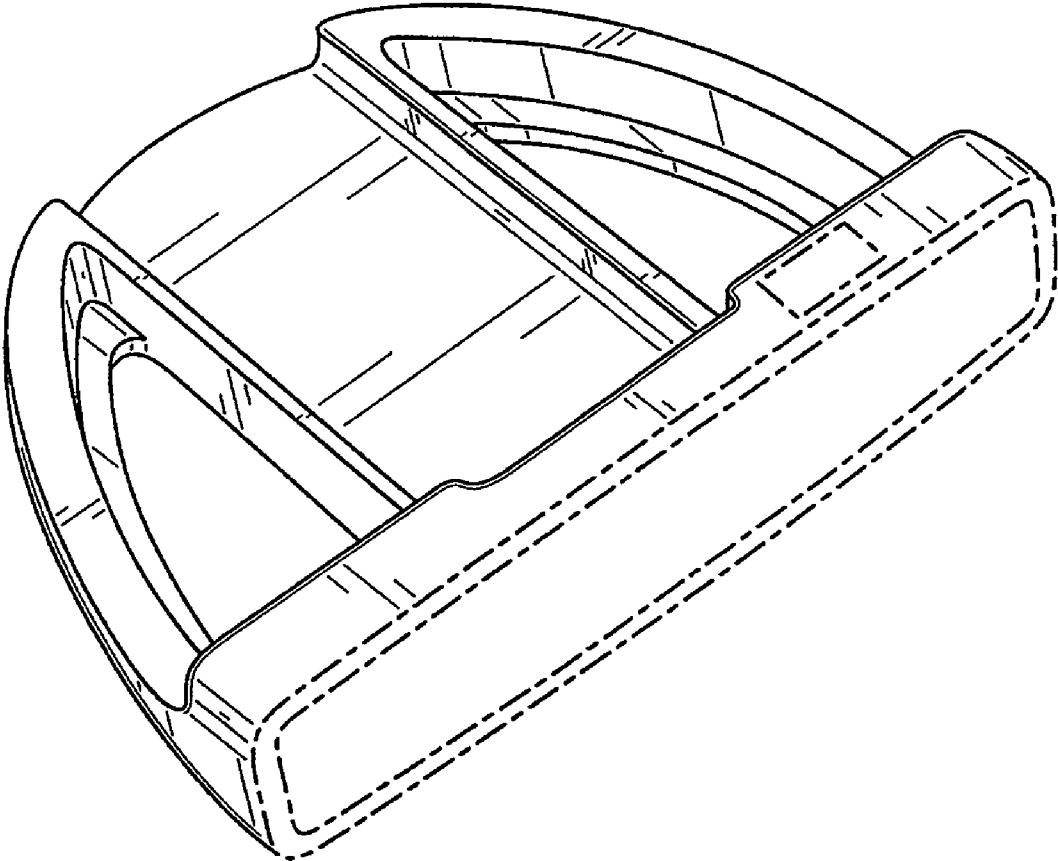


FIG. 1

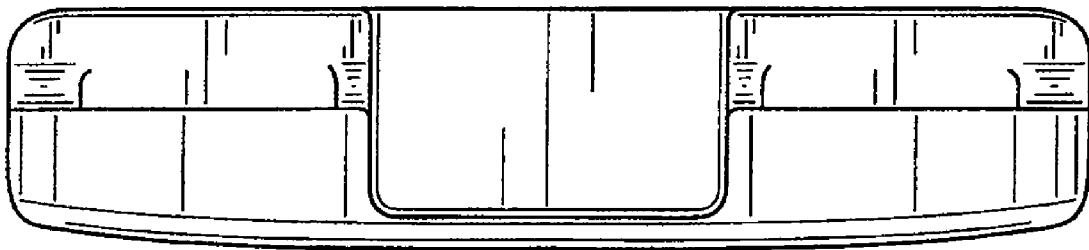


FIG. 2

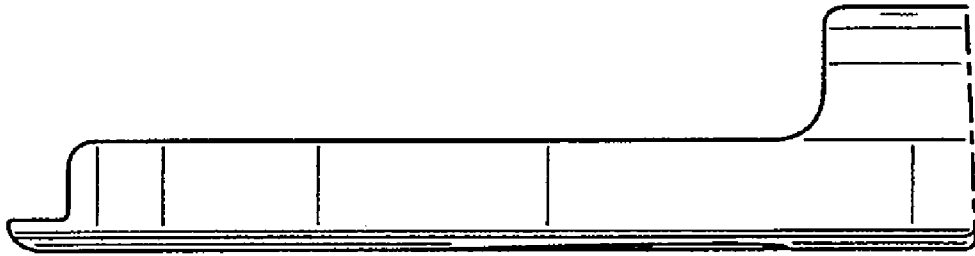


FIG. 3

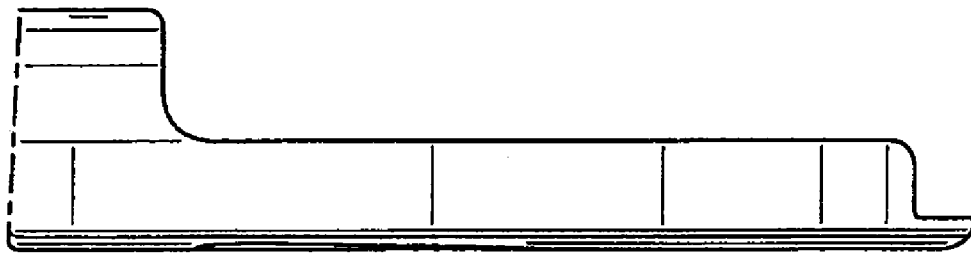


FIG. 4

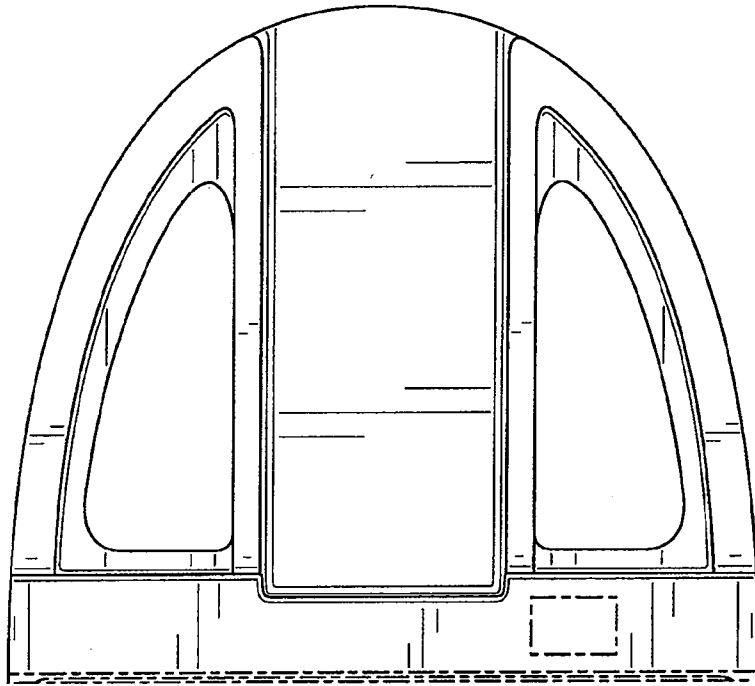


FIG. 5

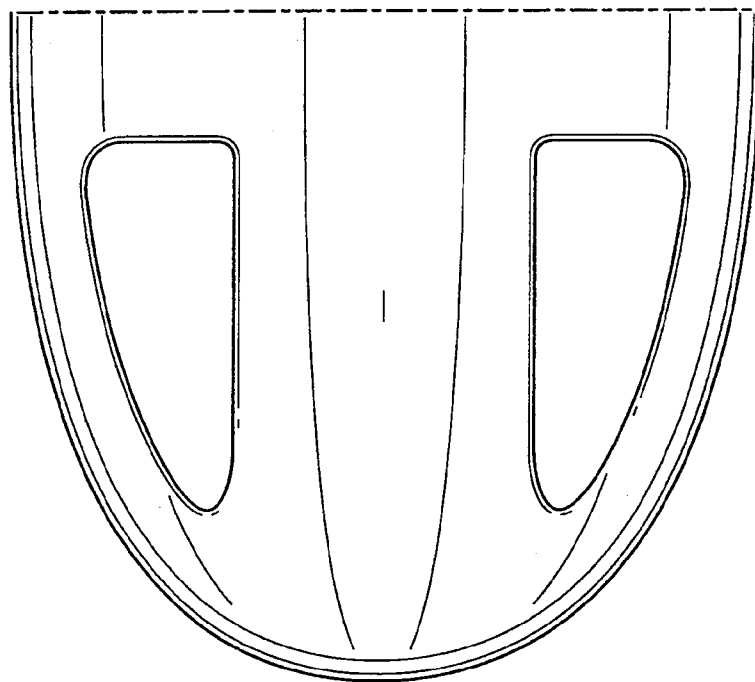


FIG. 6