

[54] **AUTOMOBILE STORAGE COMPARTMENT COVER**

Primary Examiner—James M. Gandy
Attorney, Agent, or Firm—Trask, Britt & Rossa

[76] Inventor: **Oliver Janke**, 1380 Garnet Ave.,
#E182, San Diego, Calif. 92109

[57] **CLAIM**

The ornamental design for an automobile storage compartment cover, as shown and described.

[**] Term: **14 Years**

DESCRIPTION

[21] Appl. No.: **331,883**

[22] Filed: **Mar. 31, 1989**

[52] U.S. Cl. **D12/155**

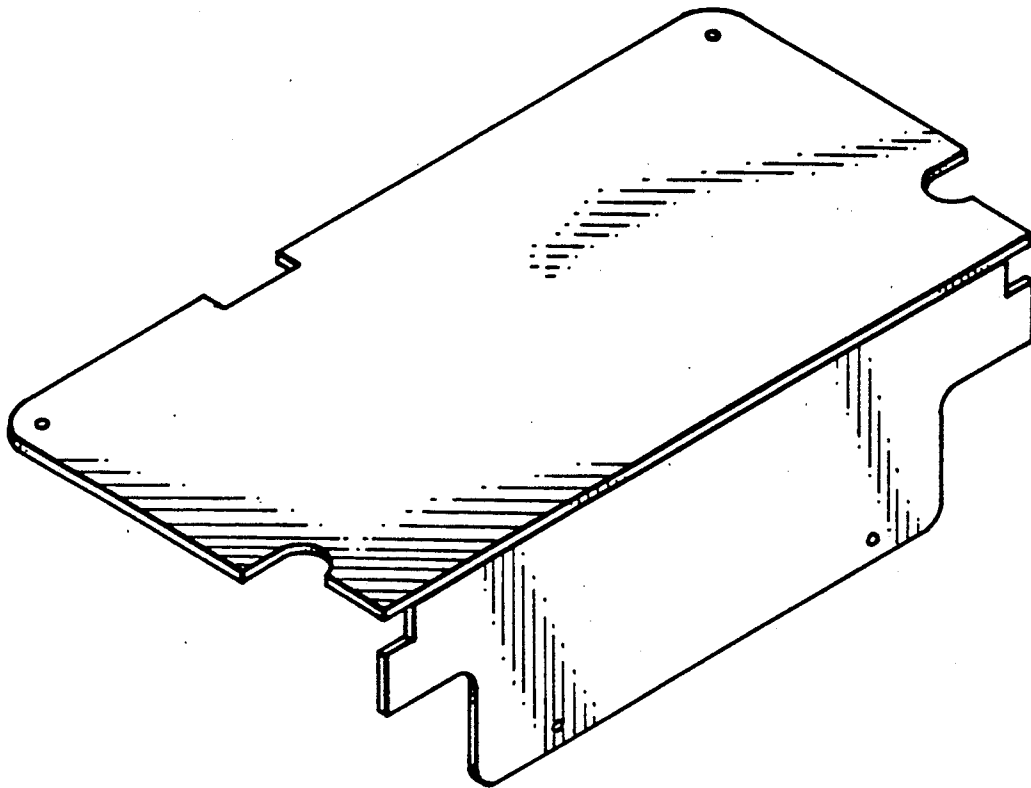
[58] Field of Search **D12/155, 195; 296/24.1, 296/326, 37.7, 37.8, 37.16; 224/42.42, 273**

FIG. 1 is a perspective view of an automobile storage compartment cover showing my design;
FIG. 2 is a top plan view thereof;
FIG. 3 is a front elevational view thereof;
FIG. 4 is a bottom plan view thereof;
FIG. 5 is a rear elevational view thereof;
FIG. 6 is a left side elevational view thereof, the right side view being a mirror image thereof;
FIG. 7 is a left side elevational view thereof in partially folded condition; and
FIG. 8 is a perspective view thereof on a reduced scale in place on the rear section of an automobile which is fragmentarily shown in broken lines for illustrative purposes only and form no part of the claimed design.

[56] **References Cited**

U.S. PATENT DOCUMENTS

| | | | |
|-----------|--------|--------------------|-----------|
| 3,326,596 | 6/1967 | La Spina | 296/37.16 |
| 3,931,994 | 1/1976 | Palmiter | 296/24.1 |
| 4,451,075 | 5/1984 | Canfield | 224/42.42 |
| 4,502,674 | 3/1985 | White et al. | 296/24.1 |
| 4,600,233 | 7/1986 | Boydston | 296/24.1 |
| 4,749,226 | 6/1988 | Heft | 296/37.6 |
| 4,828,312 | 5/1989 | Kinkel et al. | 296/37.6 |



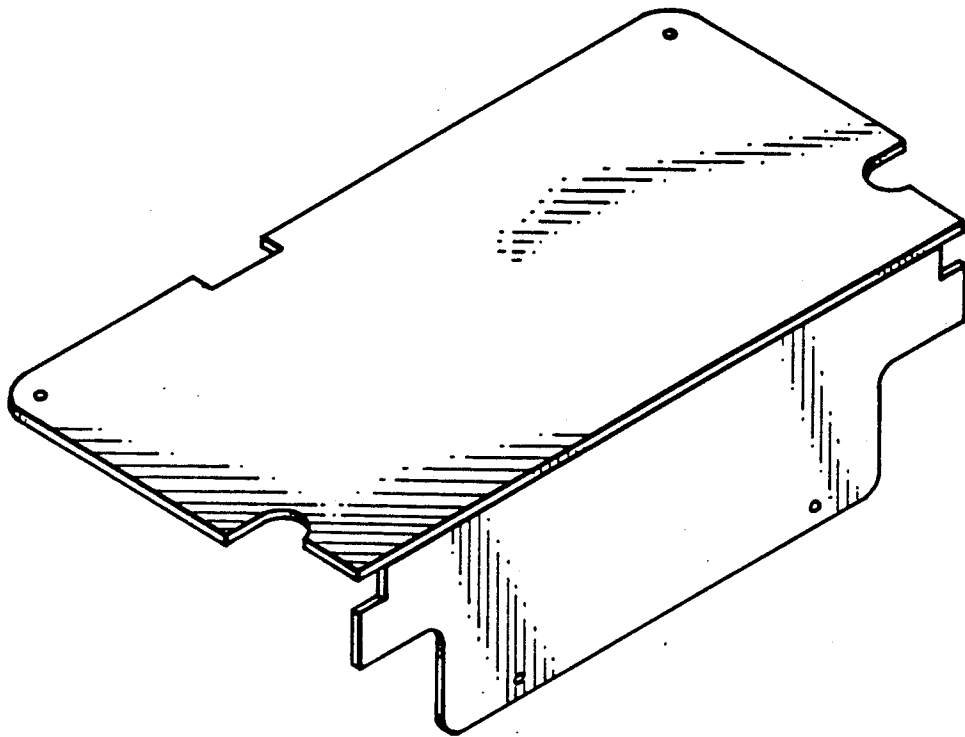


Fig. 1

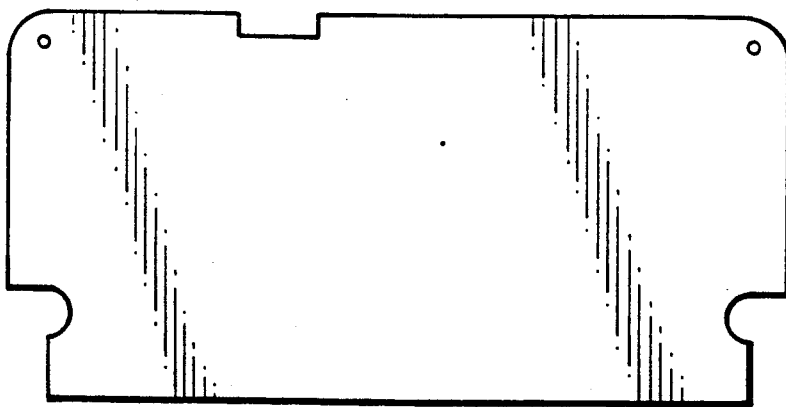


Fig. 2

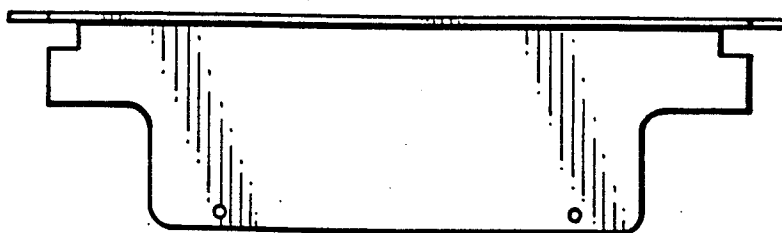


Fig. 3

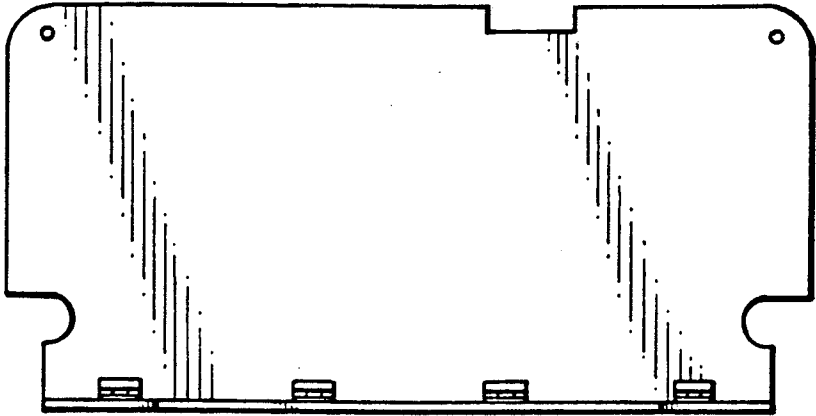


Fig. 4

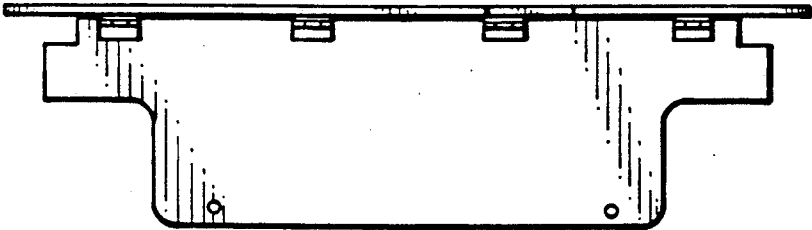


Fig. 5



Fig. 6

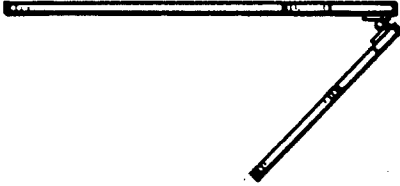


Fig. 7

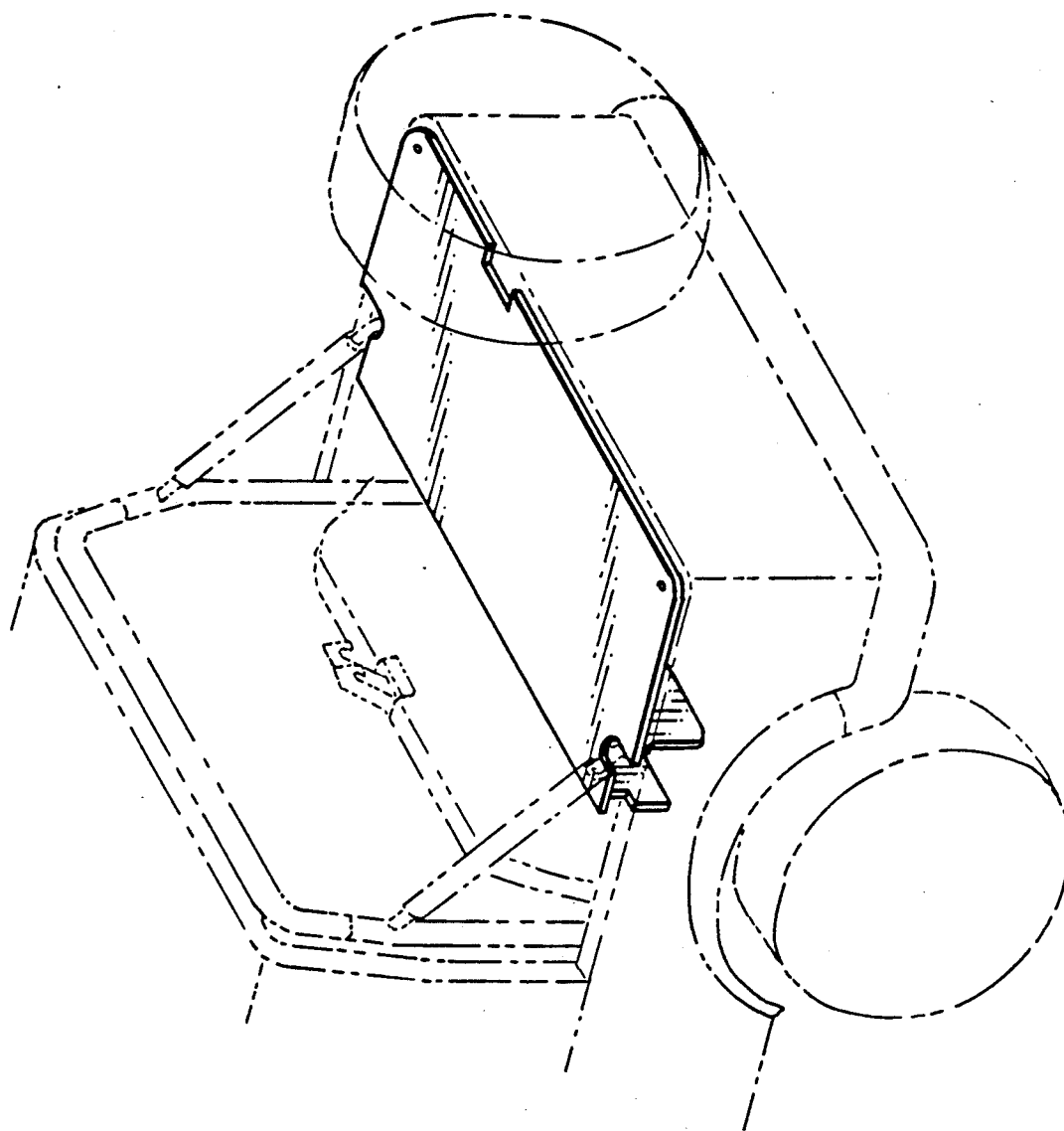


Fig. 8