



US0D1006190S

(12) **United States Design Patent**
Zhou

(10) **Patent No.:** **US D1,006,190 S**

(45) **Date of Patent:** **** Nov. 28, 2023**

(54) **WASHER GUN**

(71) Applicant: **Hangzhou Baiyu Technology Co., Ltd.**, Zhejiang (CN)

(72) Inventor: **Yong Zhou**, Zhejiang (CN)

(73) Assignee: **Hangzhou Baiyu Technology Co., Ltd.**, Zhejiang (CN)

(**) Term: **15 Years**

(21) Appl. No.: **29/823,757**

(22) Filed: **Jan. 19, 2022**

(51) **LOC (14) Cl.** **23-01**

(52) **U.S. Cl.**
USPC **D23/226; D21/572; D21/575**

(58) **Field of Classification Search**
USPC D23/213, 214, 215, 223, 224, 226, 229,
D23/230; D21/572, 575
CPC A61H 9/0021; A61H 33/00; B05B 1/00;
B05B 1/14; B05B 1/185; B05B 1/08;
B05B 1/02; B05B 1/26; B05B 12/002;
B05B 1/18; B05B 9/01
See application file for complete search history.

(56) **References Cited**

U.S. PATENT DOCUMENTS

D309,759 S *	8/1990	Mak	D21/401
D344,109 S *	2/1994	Lin	D21/575
D390,892 S *	2/1998	D'Andrade	D21/571
5,829,635 A *	11/1998	Brovelli	F41B 9/0037 222/189.1
D410,995 S *	6/1999	Hsin-Fa	D23/226
D411,607 S *	6/1999	Wang	D23/226
D415,251 S *	10/1999	Kuo	D23/226
D415,253 S *	10/1999	Kuo	D23/226
D419,641 S *	1/2000	Wilson	D23/213
D421,483 S *	3/2000	Patrick	D23/226
D422,056 S *	3/2000	Patrick	D23/226
D423,063 S *	4/2000	D'Andrade	D21/572

D423,609 S *	4/2000	D'Andrade	D21/572
D427,251 S *	6/2000	D'Andrade	D21/572
D428,077 S *	7/2000	Zimmerman	D21/572
D429,778 S *	8/2000	D'Andrade	D21/572
D451,582 S *	12/2001	Kuo	D23/226
D457,221 S *	5/2002	Alkalay	D23/226
D501,914 S *	2/2005	Chen	D23/223
D512,122 S *	11/2005	Yorns	D23/223
D513,058 S *	12/2005	Hayduk	D23/226
D517,152 S *	3/2006	Murello	D22/100
D542,381 S *	5/2007	Jou	D23/226

(Continued)

OTHER PUBLICATIONS

Cordless Pressure Washer, Portable Pressure Washer 652, Sep. 4, 2022, amazon.ca, Jun. 7, 2023, URL: <https://www.amazon.ca/Cordless-Pressure-Portable-Rechargeable-Battery/dp/B0BD1B6HSP/> (Year: 2023).*

Primary Examiner — Keith J Wilson

(74) *Attorney, Agent, or Firm* — ScienBiziP, P.C.

(57) **CLAIM**

The ornamental design for a washer gun, as shown and described.

DESCRIPTION

FIG. 1 is a front, right, and top perspective view of a washer gun, showing my design.

FIG. 2 is a rear, left, and bottom perspective view thereof.

FIG. 3 is a front elevation view thereof.

FIG. 4 is a rear elevation view thereof.

FIG. 5 is a left side elevation view thereof.

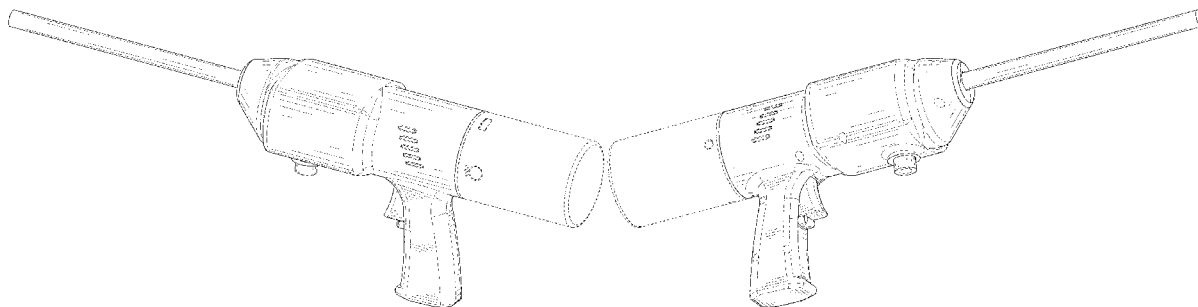
FIG. 6 is a right side elevation view thereof.

FIG. 7 is a top plan view thereof; and,

FIG. 8 is a bottom plan view thereof.

The broken lines shown in the drawings are included for the purpose of illustrating portions of the washer gun that form no part of the claimed design.

1 Claim, 8 Drawing Sheets



(56)

References Cited

U.S. PATENT DOCUMENTS

D553,223 S * 10/2007 Yu D23/226
D578,603 S * 10/2008 Khaitov D23/213
D629,067 S * 12/2010 Carpanese D23/226
D636,848 S * 4/2011 Fontaine D23/226
8,875,945 B1 * 11/2014 Loomis F41B 9/0018
222/79
D745,636 S * 12/2015 Lin D23/226
D762,785 S * 8/2016 Ueda D21/575
D770,594 S * 11/2016 Dammkoehler D23/226

* cited by examiner

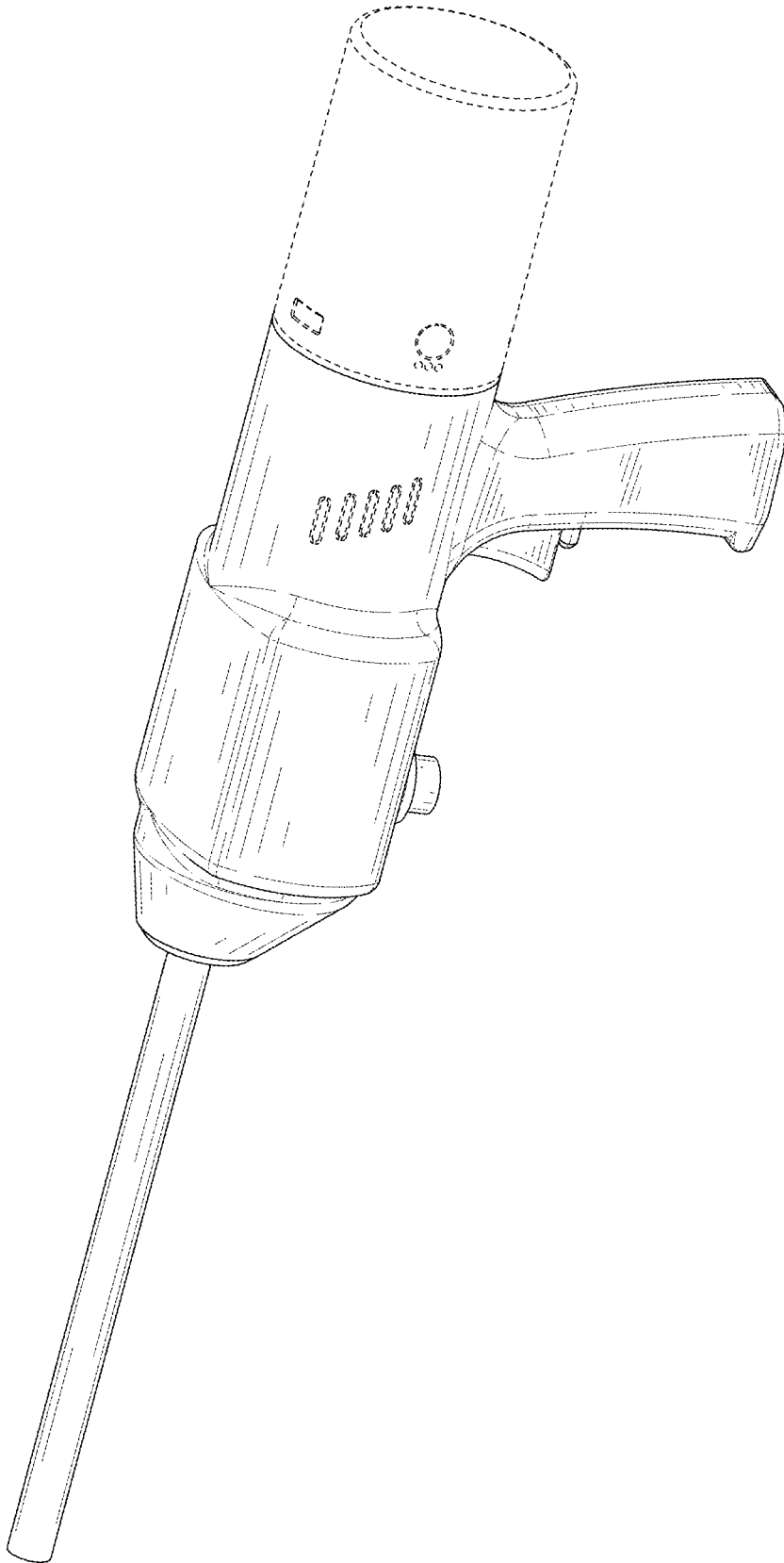


FIG. 1

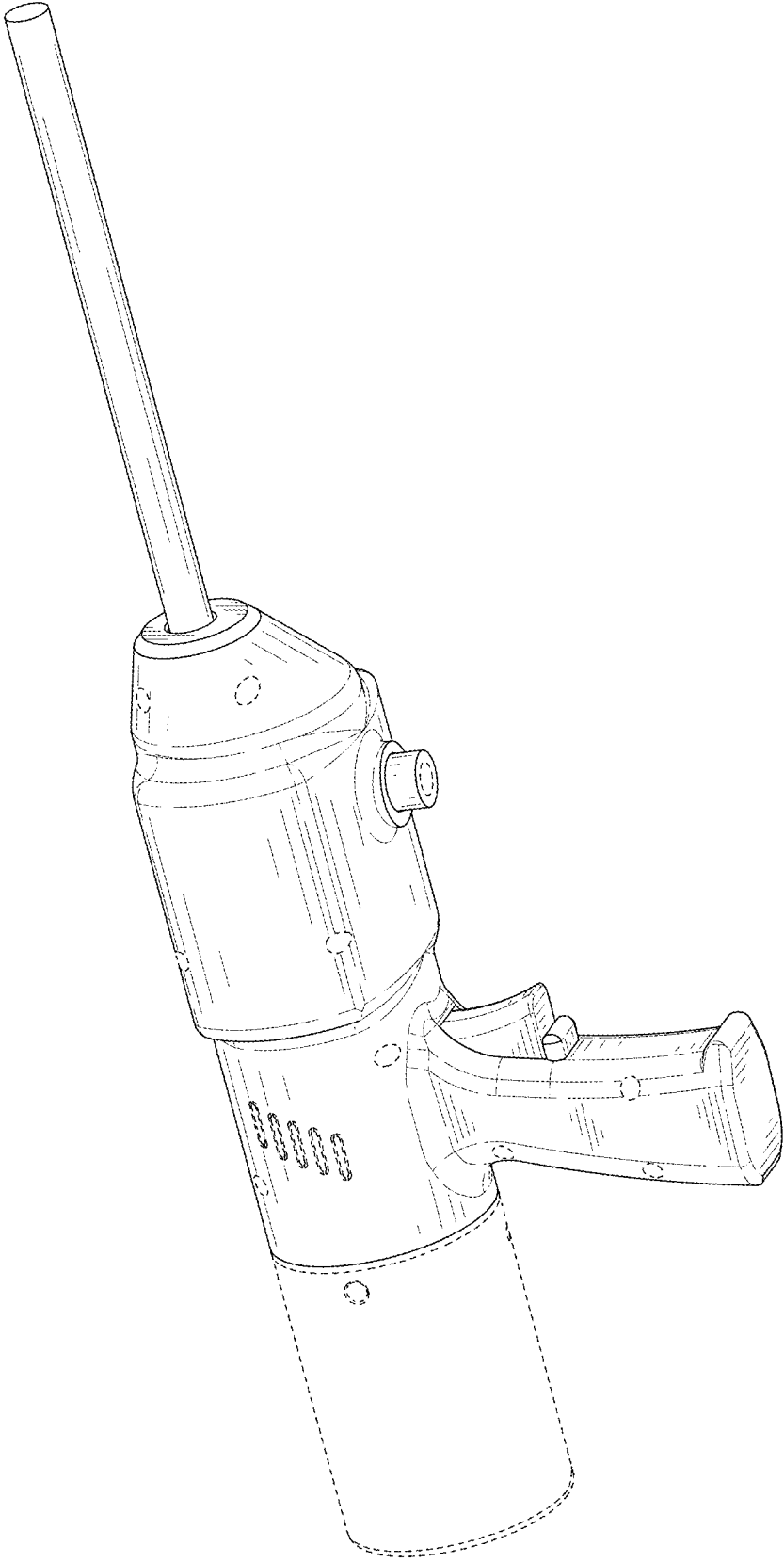


FIG. 2

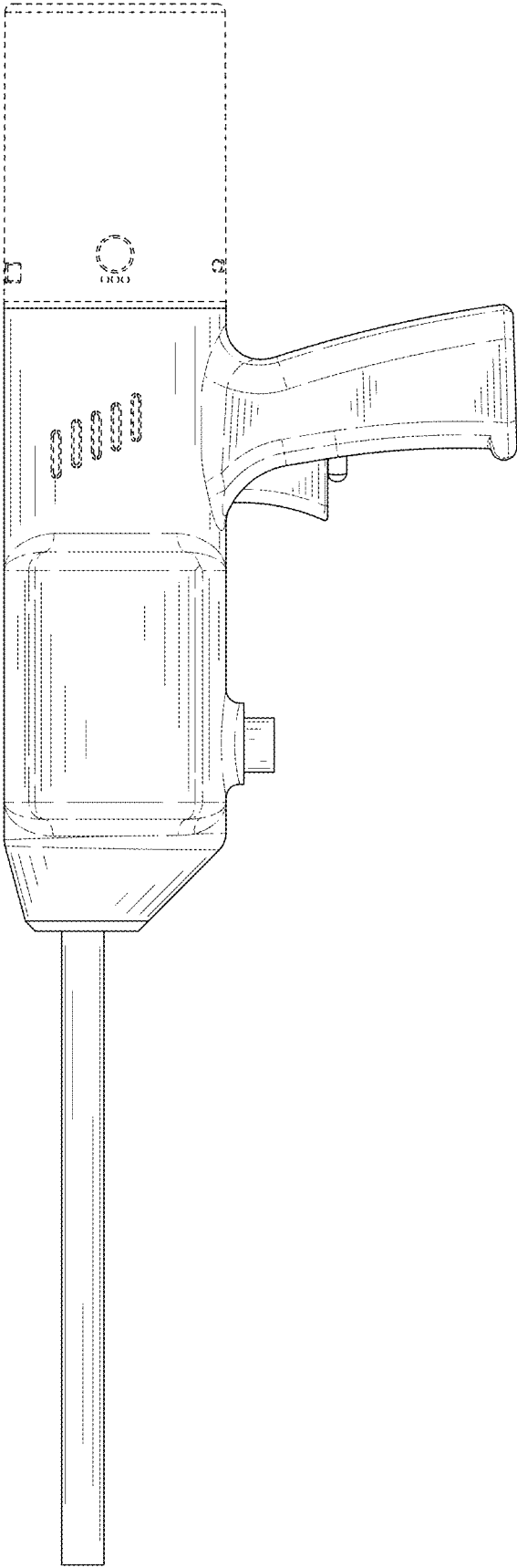


FIG. 3

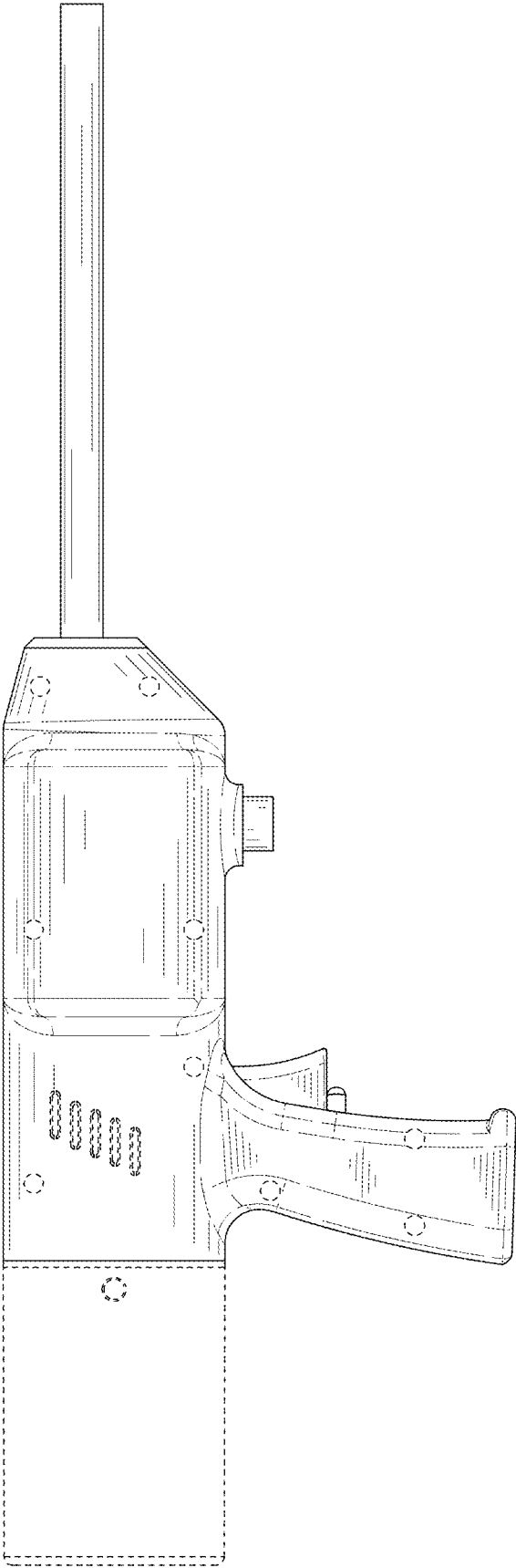


FIG. 4

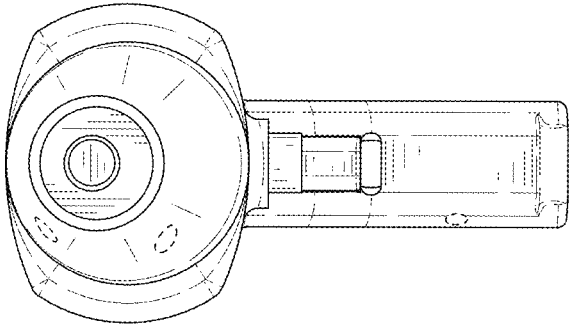


FIG. 5

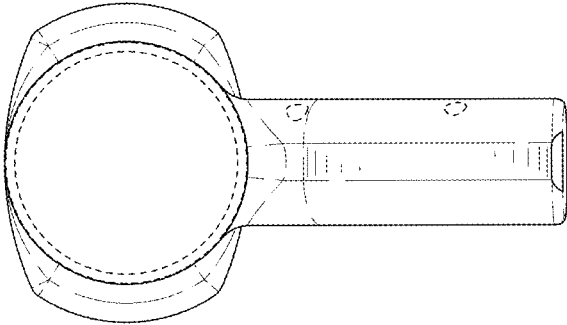


FIG. 6

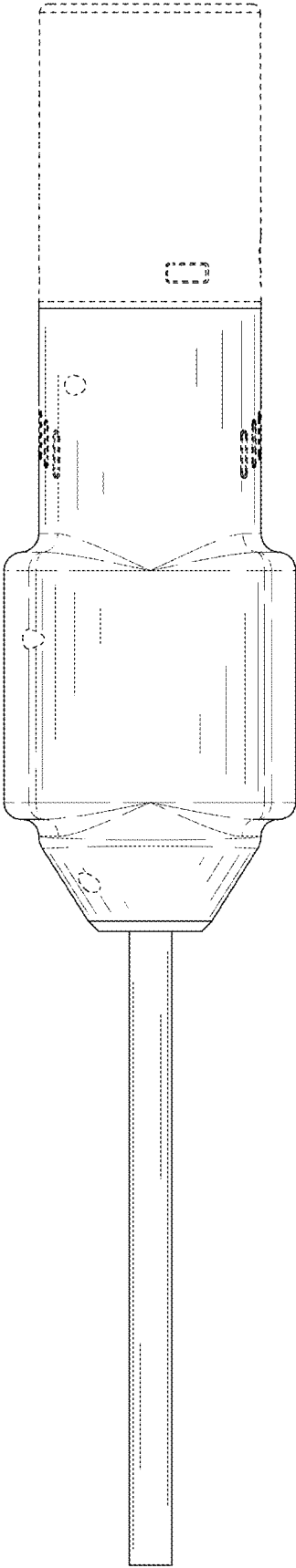


FIG. 7

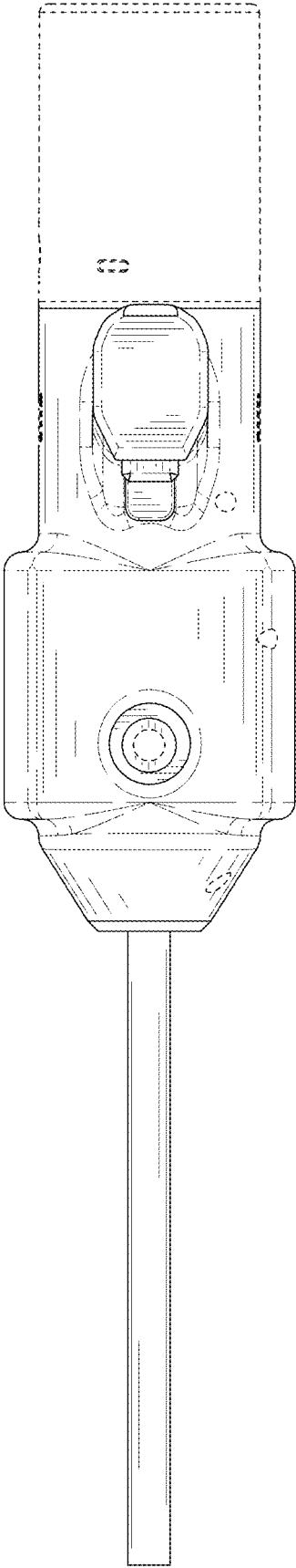


FIG. 8