



- (51) International Patent Classification:
F04D 29/16 (2006.01) F04D 29/66 (2006.01)
F04D 29/42 (2006.01)
- (21) International Application Number:
PCT/GB2012/053100
- (22) International Filing Date:
12 December 2012 (12.12.2012)
- (25) Filing Language: English
- (26) Publication Language: English
- (30) Priority Data:
1200899.1 19 January 2012 (19.01.2012) GB
- (71) Applicant: DYSON TECHNOLOGY LIMITED
[GB/GB]; Tetbury Hill, Malmesbury, Wiltshire SN16 0RP
(GB).
- (72) Inventor: ATKINSON, Antoine; c/o Dyson Technology
Limited, Tetbury Hill, Malmesbury, Wiltshire SN16 0RP
(GB).

- (74) Agents: BOOTH, Andrew et al.; Dyson Technology Limited, Intellectual Property Department, Tetbury Hill, Malmesbury, Wiltshire SN16 0RP (GB).
- (81) Designated States (unless otherwise indicated, for every kind of national protection available): AE, AG, AL, AM, AO, AT, AU, AZ, BA, BB, BG, BH, BN, BR, BW, BY, BZ, CA, CH, CL, CN, CO, CR, CU, CZ, DE, DK, DM, DO, DZ, EC, EE, EG, ES, FI, GB, GD, GE, GH, GM, GT, HN, HR, HU, ID, IL, IN, IS, JP, KE, KG, KM, KN, KP, KR, KZ, LA, LC, LK, LR, LS, LT, LU, LY, MA, MD, ME, MG, MK, MN, MW, MX, MY, MZ, NA, NG, NI, NO, NZ, OM, PA, PE, PG, PH, PL, PT, QA, RO, RS, RU, RW, SC, SD, SE, SG, SK, SL, SM, ST, SV, SY, TH, TJ, TM, TN, TR, TT, TZ, UA, UG, US, UZ, VC, VN, ZA, ZM, ZW.
- (84) Designated States (unless otherwise indicated, for every kind of regional protection available): ARIPO (BW, GH, GM, KE, LR, LS, MW, MZ, NA, RW, SD, SL, SZ, TZ, UG, ZM, ZW), Eurasian (AM, AZ, BY, KG, KZ, RU, TJ, TM), European (AL, AT, BE, BG, CH, CY, CZ, DE, DK,

[Continued on next page]

(54) Title: A FAN

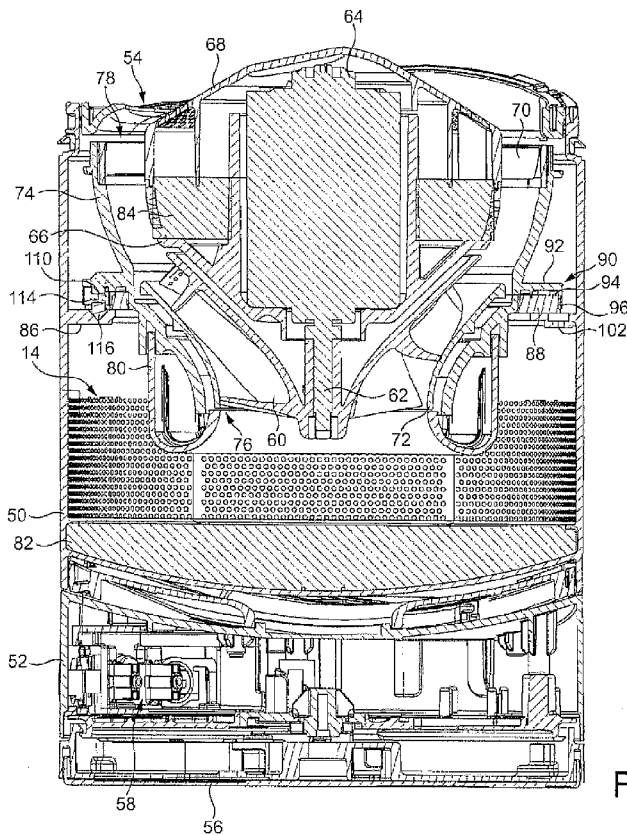


FIG. 3

(57) Abstract: A fan includes an outer casing having an air inlet and an air outlet, and an impeller housing located within the casing. An impeller is provided within the impeller housing for generating an air flow along a path extending from the air inlet to the air outlet through the impeller housing. A motor for driving the impeller is located within a motor housing connected to the impeller housing. A foam annular seal is located between the impeller housing and a seat to inhibit the leakage of air between the impeller housing and the casing. A plurality of resilient supports is provided between the impeller housing and the seat to reduce the load on the annular seal.

WO 2013/107999 A3



EE, ES, FI, FR, GB, GR, HR, HU, IE, IS, IT, LT, LU,
LV, MC, MK, MT, NL, NO, PL, PT, RO, RS, SE, SI, SK,
SM, TR), OAPI (BF, BJ, CF, CG, CI, CM, GA, GN, GQ,
GW, ML, MR, NE, SN, TD, TG).

— *before the expiration of the time limit for amending the
claims and to be republished in the event of receipt of
amendments (Rule 48.2(h))*

Published:

— *with international search report (Art. 21(3))*

(88) Date of publication of the international search report:
5 December 2013

INTERNATIONAL SEARCH REPORT

International application No
PCT/GB2012/053100

A. CLASSIFICATION OF SUBJECT MATTER
INV. F04D29/16 F04D29/42 F04D29/66
ADD.

According to International Patent Classification (IPC) or to both national classification and IPC

B. FIELDS SEARCHED

Minimum documentation searched (classification system followed by classification symbols)
F04D

Documentation searched other than minimum documentation to the extent that such documents are included in the fields searched

Electronic data base consulted during the international search (name of data base and, where practicable, search terms used)

EP0-Internal, WPI Data

C. DOCUMENTS CONSIDERED TO BE RELEVANT

Category*	Citation of document, with indication, where appropriate, of the relevant passages	Relevant to claim No.
X	DE 10 2009 044349 A1 (MINEBEA CO LTD [JP]) 5 May 2011 (2011-05-05) paragraphs [0001], [0041]; figure 6 -----	1-17
X	DE 197 12 228 A1 (BEHR GMBH & CO [DE] BEHR GMBH & CO KG [DE]) 1 October 1998 (1998-10-01) figures 1,3 -----	1-17
X	EP 1 566 548 A2 (WEIR ENVIROTECH PTY LTD [ZA] WEIR MINERALS AFRICA PTY LTD [ZA]) 24 August 2005 (2005-08-24) -----	17
A	paragraphs [0039] - [0050]; figures 6, 7 ----- -/--	1-16

Further documents are listed in the continuation of Box C.

See patent family annex.

* Special categories of cited documents :

"A" document defining the general state of the art which is not considered to be of particular relevance

"E" earlier application or patent but published on or after the international filing date

"L" document which may throw doubts on priority claim(s) or which is cited to establish the publication date of another citation or other special reason (as specified)

"O" document referring to an oral disclosure, use, exhibition or other means

"P" document published prior to the international filing date but later than the priority date claimed

"T" later document published after the international filing date or priority date and not in conflict with the application but cited to understand the principle or theory underlying the invention

"X" document of particular relevance; the claimed invention cannot be considered novel or cannot be considered to involve an inventive step when the document is taken alone

"Y" document of particular relevance; the claimed invention cannot be considered to involve an inventive step when the document is combined with one or more other such documents, such combination being obvious to a person skilled in the art

"&" document member of the same patent family

Date of the actual completion of the international search

2 October 2013

Date of mailing of the international search report

14/10/2013

Name and mailing address of the ISA/

European Patent Office, P.B. 5818 Patentlaan 2
NL - 2280 HV Rijswijk
Tel. (+31-70) 340-2040,
Fax: (+31-70) 340-3016

Authorized officer

Homan, Peter

INTERNATIONAL SEARCH REPORT

International application No PCT/GB2012/053100

C(Continuation). DOCUMENTS CONSIDERED TO BE RELEVANT		
Category*	Citation of document, with indication, where appropriate, of the relevant passages	Relevant to claim No.
X	WO 2009/030879 A1 (DYSON TECHNOLOGY LTD [GB]; GAMMACK PETER DAVID [GB]; NICOLAS FREDERIC) 12 March 2009 (2009-03-12) cited in the application	17
A	figures 1-5	1-16

X	WO 2010/100452 A1 (DYSON TECHNOLOGY LTD [GB]; CRAWFORD TOM [GB]; OSBORN CHRISTOPHER [GB];) 10 September 2010 (2010-09-10) cited in the application	17
A	figures 1-3	1-16

INTERNATIONAL SEARCH REPORT

Information on patent family members

International application No

PCT/GB2012/053100

Patent document cited in search report	Publication date	Patent family member(s)	Publication date
DE 102009044349 A1	05-05-2011	NONE	
DE 19712228 A1	01-10-1998	DE 19712228 A1 ES 2151799 A1 FR 2761120 A1	01-10-1998 01-01-2001 25-09-1998
EP 1566548 A2	24-08-2005	AR 047670 A1 AU 2005200591 A1 BR PI0502366 A CA 2497015 A1 CN 1654828 A EP 1566548 A2 GE P20074245 B MX PA05001682 A PE 08272005 A1 US 2005191175 A1	01-02-2006 01-09-2005 18-10-2005 12-08-2005 17-08-2005 24-08-2005 26-11-2007 08-09-2005 14-11-2005 01-09-2005
WO 2009030879 A1	12-03-2009	AT 490409 T AT 506543 T AU 2008294621 A1 AU 2008294623 A1 AU 2010101040 A4 AU 2010101428 A4 AU 2011100400 A4 CA 2698489 A1 CA 2698490 A1 DK 2191142 T3 DK 2232077 T3 EP 2191142 A1 EP 2232077 A1 EP 2333349 A1 GB 2452593 A HK 1143413 A1 HK 1148802 A1 JP 4923303 B2 JP 5030106 B2 JP 2009062986 A JP 2009062987 A JP 2012122488 A KR 20100051724 A KR 20100051725 A KR 20130005308 A PT 2191142 E PT 2232077 E US 2009060710 A1 US 2009060711 A1 US 2011058935 A1 US 2011223015 A1 WO 2009030879 A1 WO 2009030881 A1	15-12-2010 15-05-2011 12-03-2009 12-03-2009 21-10-2010 20-01-2011 12-05-2011 12-03-2009 12-03-2009 21-03-2011 15-08-2011 02-06-2010 29-09-2010 15-06-2011 11-03-2009 06-05-2011 15-06-2012 25-04-2012 19-09-2012 26-03-2009 26-03-2009 28-06-2012 17-05-2010 17-05-2010 15-01-2013 02-02-2011 29-06-2011 05-03-2009 05-03-2009 10-03-2011 15-09-2011 12-03-2009 12-03-2009
WO 2010100452 A1	10-09-2010	AT 557187 T AU 2010101311 A4 AU 2010219487 A1 CA 2746499 A1 CN 101825105 A CN 201884311 U DK 2404063 T3	15-05-2012 23-12-2010 10-09-2010 10-09-2010 08-09-2010 29-06-2011 09-07-2012

INTERNATIONAL SEARCH REPORT

Information on patent family members

International application No

PCT/GB2012/053100

Patent document cited in search report	Publication date	Patent family member(s)	Publication date
		EP 2404063 A1	11-01-2012
		ES 2385303 T3	20-07-2012
		GB 2468331 A	08-09-2010
		HK 1147120 A1	11-11-2011
		HR P20120446 T1	31-07-2012
		JP 4773570 B2	14-09-2011
		JP 2010203442 A	16-09-2010
		KR 20110086186 A	27-07-2011
		NZ 593320 A	30-11-2012
		PT 2404063 E	04-07-2012
		SG 172130 A1	28-07-2011
		US 2010226771 A1	09-09-2010
		US 2011223014 A1	15-09-2011
		US 2013011252 A1	10-01-2013
		WO 2010100452 A1	10-09-2010
